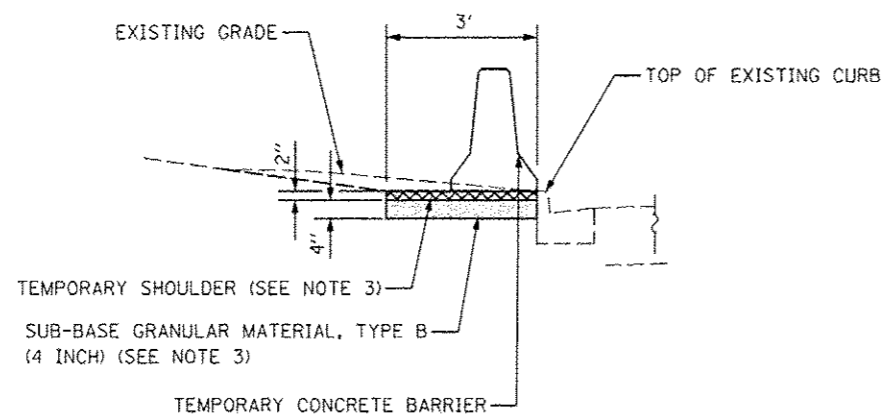


**GRADING AND TEMPORARY SHOULDER FOR IMPACT ATTENUATOR**  
**STA. 3966+30 TO STA. 3968+00**



**TEMPORARY CONCRETE BARRIER PLACEMENT**  
**STA. 3959+50 TO STA. 3966+30**

**NOTE**

1. THE REMOVAL OF THE EXISTING CURB HEAD AND ANY ADDITIONAL GRADING REQUIRED FOR THE PLACEMENT OF THE IMPACT ATTENUATOR AND TEMPORARY CONCRETE BARRIER SHALL BE INCLUDED IN THE CONTRACT UNIT PRICE FOR TEMPORARY SHOULDERS.
2. SEE IDOT STANDARD DETAIL 643001, SAND MODULE IMPACT ATTENUATORS.
3. SUB-BASE GRANULAR MATERIAL, TYPE B SHALL BE INCLUDED IN THE COST FOR TEMPORARY SHOULDER AND WILL NOT BE PAID FOR SEPERATELY. THE REMOVAL OF TEMPORARY SHOULDER AND SUB-BASE GRANULAR MATERIAL, TYPE B SHALL ALSO BE INCLUDED IN THE COST FOR TEMPORARY SHOULDERS.

FILE NAME :	USER NAME : #USER#	DESIGNED NAV	REVISED Addendum A-07-23-12
#FILE#		DRAWN KES	REVISED
		CHECKED PJO	REVISED
		DATE 05-11-12	REVISED

**STATE OF ILLINOIS**  
**DEPARTMENT OF TRANSPORTATION**

**MAINTENANCE OF TRAFFIC**  
**DETAILS**

SCALE: AS SHOWN SHEET NO. 8 OF 8 SHEETS STA. TO STA.

F.A.P. RTE.	SECTION	COUNTY	TOTAL SHEETS	SHEET NO.
338	2011-036-1	DUPAGE	234	31
CONTRACT NO. 60P42				
ILLINOIS FED. AID PROJECT				