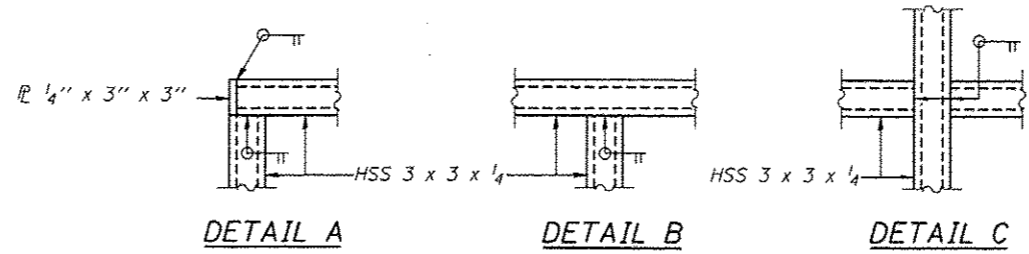
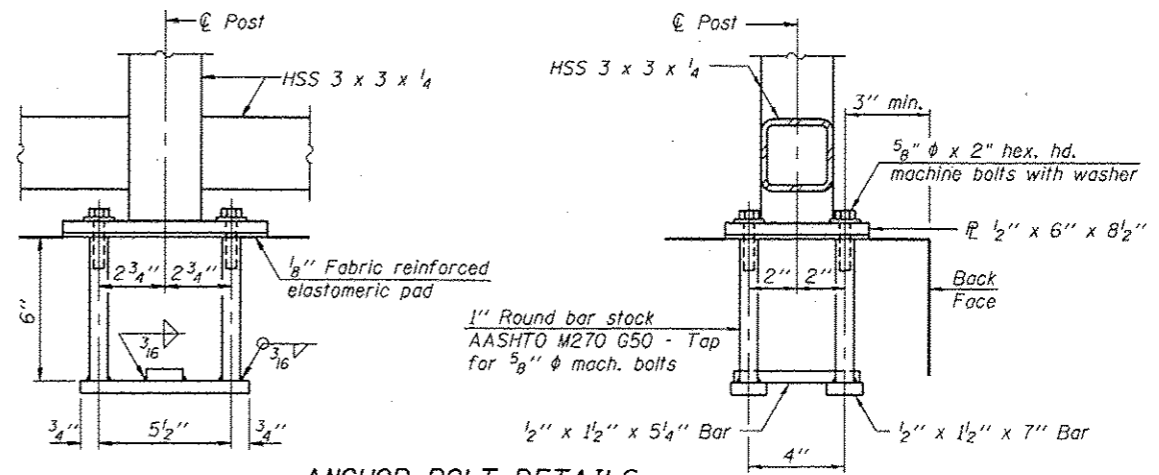
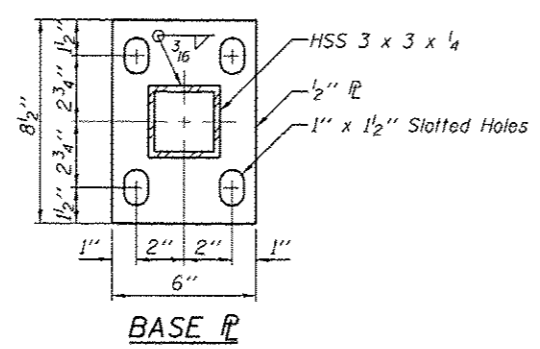


**PARAPET RAILING  
ELEVATION**  
(Inside Face of Three Element Rail)

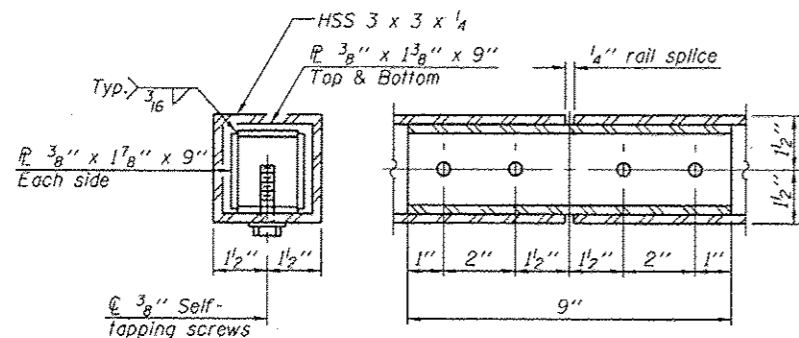


All steel rail elements shall be galvanized according to Article 509.05 of the Standard Specifications.



**ANCHOR BOLT DETAILS**

In lieu of the cast-in-place anchor device shown, the Contractor has the option of drilling and setting 5/8" diameter anchor rods according to Article 509.06 of the Standard Specifications. Embedment shall be according to the manufacturer's specifications.



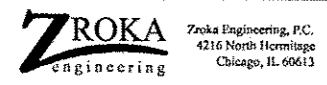
**RAIL SPLICE**

**BILL OF MATERIAL**

Item	Unit	Quantity
Parapet Railing	Foot	159

**PARAPET RAILING  
SN 022-W043**

FILE NAME = ... \NSP-12-1013-205-ParapetRailing.dwg



USER NAME = SAW	DESIGNED - LAS	REVISED -
PLOT SCALE = 0.17' / IN.	CHECKED - DAZ	REVISED -
PLOT DATE = 5/4/2012	DRAWN - SAW	REVISED -
	CHECKED - LAS	REVISED -

**STATE OF ILLINOIS  
DEPARTMENT OF TRANSPORTATION**

**PARAPET RAILING  
STA. 3913+83.48 TO STA. 3915+42.32 SN 022-W043**

SHEET NO. SA-5 OF SA-6 SHEETS

F.A.P. RTE.	SECTION	COUNTY	TOTAL SHEETS	SHEET NO.
338	2011-036-1	DUPAGE	234	36
CONTRACT NO. 60P42			ILLINOIS FED. AID PROJECT	