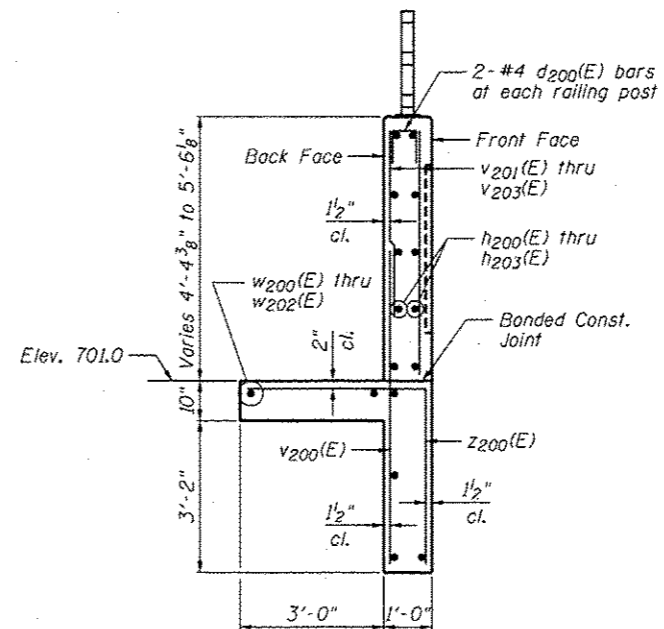


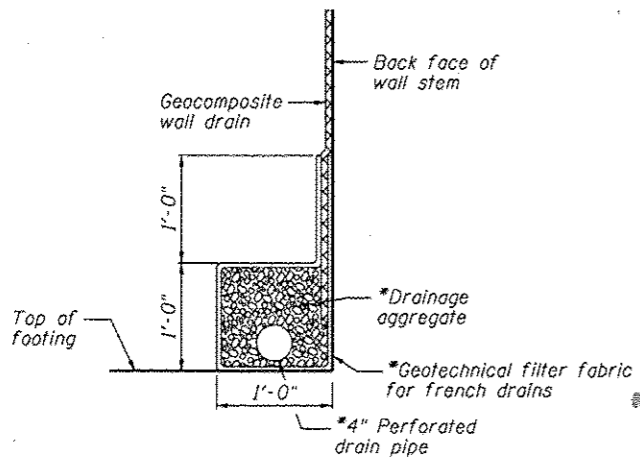
TYPICAL SECTION
Sta. 3920+19.79 to Sta. 3922+70.60



SECTION A-A
Maximum Soil Bearing Pressure = 1,890 psf

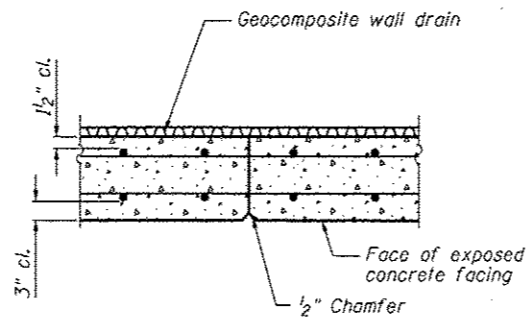
BILL OF MATERIAL

Bar	No.	Size	Length	Shape
d200(E)	56	#4	2'-1"	□
h200(E)	90	#4	27'-11"	—
h201(E)	54	#4	24'-8"	—
h202(E)	18	#4	26'-11"	—
h203(E)	18	#4	26'-8"	—
v200(E)	261	#4	7'-6"	—
v201(E)	156	#4	4'-5"	—
v202(E)	210	#4	4'-8"	—
v203(E)	156	#4	4'-11"	—
w200(E)	24	#5	28'-8"	—
w201(E)	4	#5	29'-6"	—
w202(E)	12	#5	27'-4"	—
z200(E)	261	#4	7'-4"	└
Item		Unit	Quantity	
Concrete Structures		Cu. Yd.	107.7	
Reinforcement Bars, Epoxy Coated		Pound	8,690	
Pipe Underdrains for Structures, 4"		Foot	278	
Geocomposite Wall Drain		Sq. Yd.	68	
Porous Granular Embankment, Special		Cu. Yd.	86	

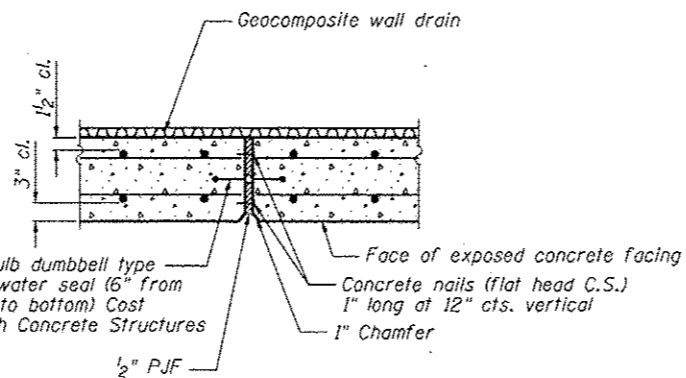


PIPE UNDERDRAIN DETAIL

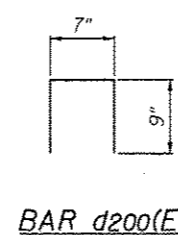
*Included in the cost of "Pipe Underdrains for Structures"



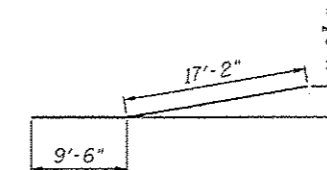
CONSTRUCTION JOINT DETAIL



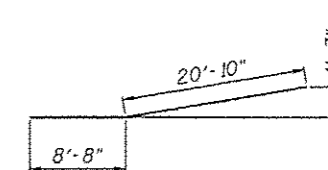
EXPANSION JOINT DETAIL



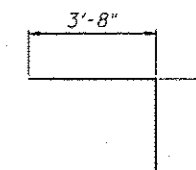
BAR d200(E)



BAR h203(E)



BAR w201(E)



BAR z200(E)

WALL SECTION & DETAILS
SN 022-W044



Zroka Engineering, P.C.
4216 North Hermitage
Chicago, IL 60613

USER NAME - SAW
DESIGNED - LAS
CHECKED - DAZ
DRAWN - SAW
CHECKED - LAS
PLOT SCALE - 4/88" / IN.
PLOT DATE - 5/4/2012

DESIGNED - LAS
CHECKED - DAZ
DRAWN - SAW
CHECKED - LAS
REVISED -
REVISED -
REVISED -
REVISED -

STATE OF ILLINOIS
DEPARTMENT OF TRANSPORTATION

WALL SECTION & DETAILS
STA. 3920+19.79 TO STA. 3922+70.60 SN 022-W044

SHEET NO. SB-4 OF SB-7 SHEETS

F.A.P. RTE.	SECTION	COUNTY	TOTAL SHEETS	SHEET NO.
338	2011-036-1	DUPAGE	234	46
CONTRACT NO. 60P42				

ILLINOIS FED. AID PROJECT

FILE NAME: ... \60P42-W044-SB4-Detail.dgn