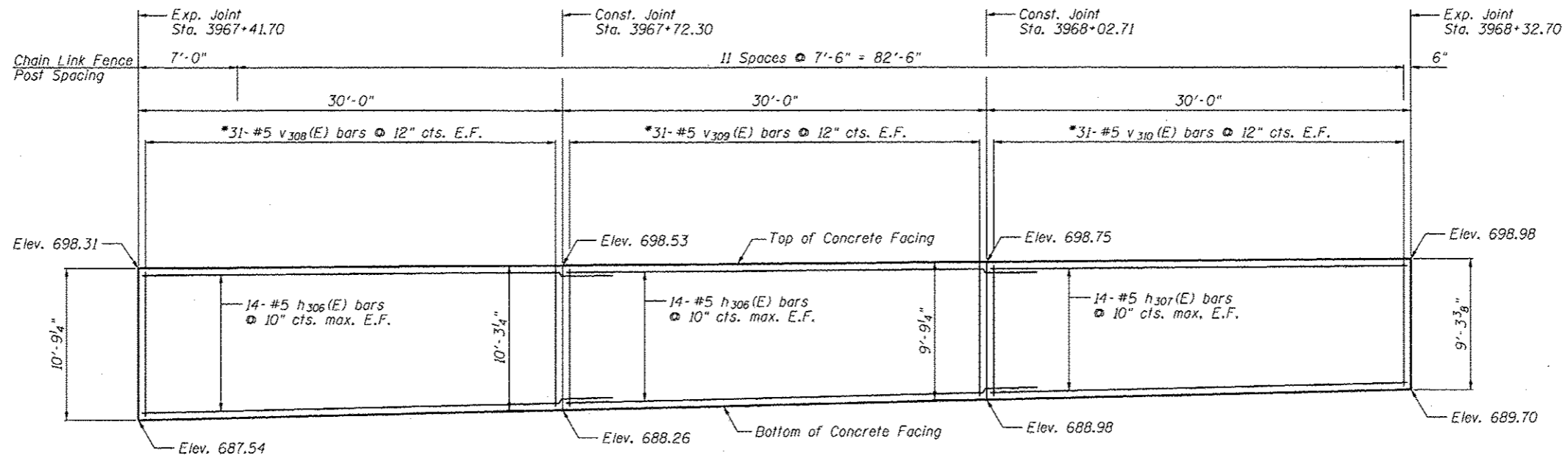


ELEVATION



ELEVATION

Notes:

Minimum lap for #5 bar is 3'-8".

Space reinforcement in wall to miss shear studs.

* signifies cut bar. Order per length on Bill of Material. Cut as shown in Cutting Diagram and use half of bars in each face.

See Sheet SC-11 for Concrete Facing Details and Bill of Material.

**CONCRETE FACING 2
SN 022-W046**



Zroka Engineering, P.C.
4216 North Hemming
Chicago, IL 60613

USER NAME = SAW	DESIGNED - LAS	REVISIONS -
PLOT SCALE = 18.0000" / IN.	CHECKED - DAZ	REVISIONS -
PLOT DATE = 5/4/2012	DRAWN - SAW	REVISIONS -
	CHECKED - LAS	REVISIONS -

**STATE OF ILLINOIS
DEPARTMENT OF TRANSPORTATION**

**CONCRETE FACING 2
STA. 3965 + 05.35 TO STA. 3971 + 00.00 SN 022-W046**

SHEET NO. SC-9 OF SC-17 SHEETS

F.A.P. RTE.	SECTION	COUNTY	TOTAL SHEETS	SHEET NO.
338	2011-036-1	DUPAGE	234	62
CONTRACT NO. 60P42			ILLINOIS FED. AID PROJECT	