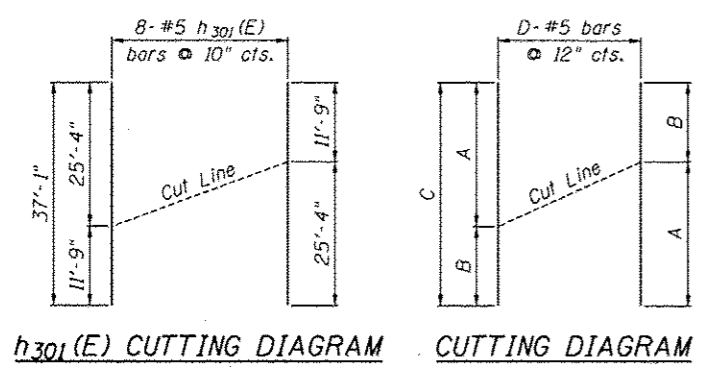
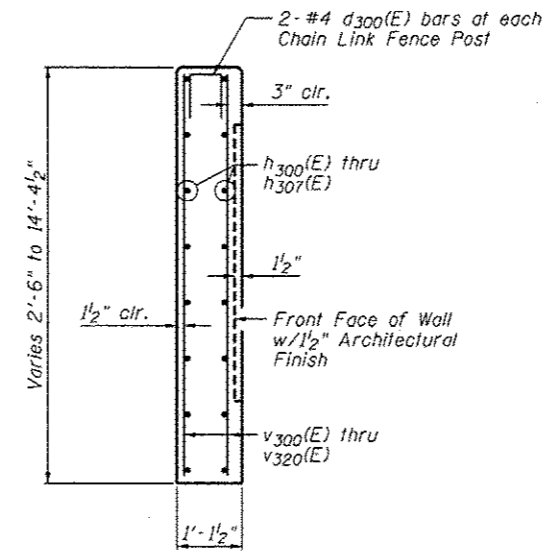
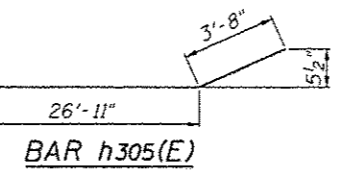
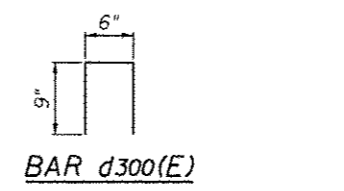


ELEVATION

Notes:
 Minimum lap for #5 bar is 3'-8".
 Space reinforcement in wall to miss shear studs.
 * signifies cut bar. Order per length on Bill of Material. Cut as shown in Cutting Diagram and use half of bars in each face.



| Bar | A | B | C | D |
|----------|---------|---------|---------|----|
| v 300(E) | 2'-2" | 10'-0" | 12'-2" | 18 |
| v 301(E) | 10'-0" | 11'-0" | 21'-0" | 11 |
| v 302(E) | 14'-0" | 13'-6" | 27'-6" | 31 |
| v 303(E) | 13'-6" | 12'-10" | 26'-4" | 31 |
| v 304(E) | 12'-10" | 12'-4" | 25'-2" | 31 |
| v 305(E) | 12'-4" | 11'-7" | 23'-11" | 31 |
| v 306(E) | 11'-7" | 10'-11" | 22'-6" | 31 |
| v 307(E) | 10'-11" | 10'-5" | 21'-4" | 31 |
| v 308(E) | 10'-5" | 9'-11" | 20'-4" | 31 |
| v 309(E) | 9'-11" | 9'-5" | 19'-4" | 31 |
| v 310(E) | 9'-5" | 8'-11" | 18'-4" | 31 |
| v 311(E) | 8'-11" | 8'-5" | 17'-4" | 31 |
| v 312(E) | 8'-5" | 8'-0" | 16'-5" | 31 |
| v 313(E) | 8'-0" | 7'-6" | 15'-6" | 31 |
| v 314(E) | 7'-6" | 7'-0" | 14'-6" | 31 |
| v 315(E) | 7'-0" | 6'-6" | 13'-6" | 31 |
| v 316(E) | 6'-6" | 6'-0" | 12'-6" | 31 |
| v 317(E) | 6'-0" | 5'-6" | 11'-6" | 31 |
| v 318(E) | 5'-6" | 5'-1" | 10'-7" | 31 |
| v 319(E) | 5'-1" | 4'-7" | 9'-8" | 31 |
| v 320(E) | 11'-0" | 14'-0" | 25'-0" | 28 |



SECTION THRU CONCRETE FACING

BILL OF MATERIAL

| Bar | No. | Size | Length | Shape |
|-------------------------------------|---------|----------|---------|-------|
| d 300(E) | 166 | #4 | 2'-0" | U |
| h 300(E) | 8 | #5 | 26'-7" | — |
| h 301(E) | 8 | #5 | 37'-1" | — |
| h 302(E) | 4 | #5 | 9'-8" | — |
| h 303(E) | 2 | #5 | 18'-3" | — |
| h 305(E) | 36 | #5 | 30'-7" | — |
| h 306(E) | 316 | #5 | 33'-8" | — |
| h 307(E) | 158 | #5 | 29'-8" | — |
| v 300(E) | 18 | #5 | 12'-2" | — |
| v 301(E) | 11 | #5 | 21'-0" | — |
| v 302(E) | 31 | #5 | 27'-6" | — |
| v 303(E) | 31 | #5 | 26'-4" | — |
| v 304(E) | 31 | #5 | 25'-2" | — |
| v 305(E) | 31 | #5 | 23'-11" | — |
| v 306(E) | 31 | #5 | 22'-6" | — |
| v 307(E) | 31 | #5 | 21'-4" | — |
| v 308(E) | 31 | #5 | 20'-4" | — |
| v 309(E) | 31 | #5 | 19'-4" | — |
| v 310(E) | 31 | #5 | 18'-4" | — |
| v 311(E) | 31 | #5 | 17'-4" | — |
| v 312(E) | 31 | #5 | 16'-5" | — |
| v 313(E) | 31 | #5 | 15'-6" | — |
| v 314(E) | 31 | #5 | 14'-6" | — |
| v 315(E) | 31 | #5 | 13'-6" | — |
| v 316(E) | 31 | #5 | 12'-6" | — |
| v 317(E) | 31 | #5 | 11'-6" | — |
| v 318(E) | 31 | #5 | 10'-7" | — |
| v 319(E) | 31 | #5 | 9'-8" | — |
| v 320(E) | 28 | #5 | 25'-0" | — |
| Item | Unit | Quantity | | |
| Concrete Structures | Cu. Yd. | 234.9 | | |
| Reinforcement Bars, Epoxy Coated | Pound | 29,710 | | |
| Pipe Underdrains for Structures, 4" | Foot | 594 | | |
| Geocomposite Wall Drain | Sq. Yd. | 368 | | |

CONCRETE FACING & DETAILS SN 022-W046

FILE NAME: ... \NSP-12-10246-211-Concrete Facing.dgn



| | | |
|---------------------------|----------------|-----------|
| USER NAME = SAW | DESIGNED - LAS | REVISED - |
| PLOT SCALE = 1/8" = 1'-0" | CHECKED - DAZ | REVISED - |
| PLOT DATE = 5/4/2012 | DRAWN - SAW | REVISED - |
| | CHECKED - LAS | REVISED - |

STATE OF ILLINOIS
 DEPARTMENT OF TRANSPORTATION

CONCRETE FACING & DETAILS
 STA. 3965 + 05.35 TO STA. 3971 + 00.00 SN 022-W046

| | | | | |
|---------------------------------|--------------------|--------|--------------------|--------------|
| F.A.P. RTE. 338 | SECTION 2011-036-1 | COUNTY | TOTAL SHEETS 234 | SHEET NO. 64 |
| SHEET NO. SC-11 OF SC-17 SHEETS | | | CONTRACT NO. 60P42 | |
| ILLINOIS FED. AID PROJECT | | | | |