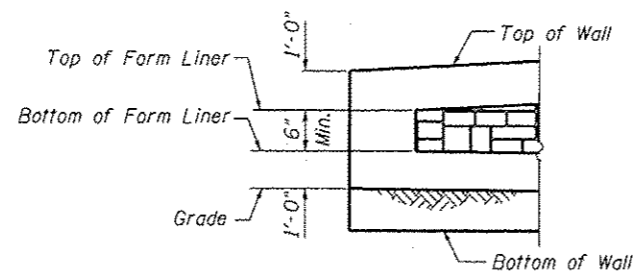
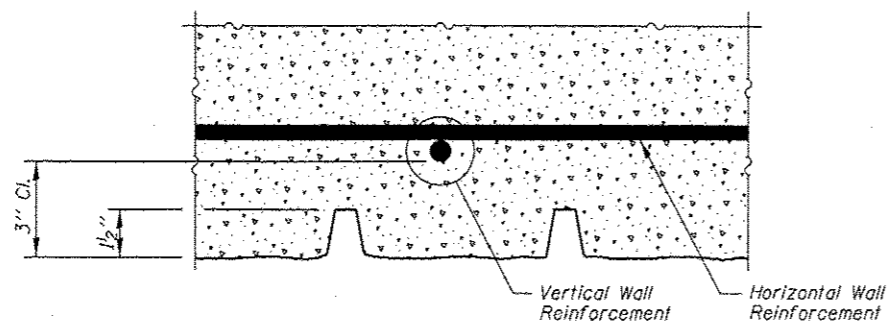


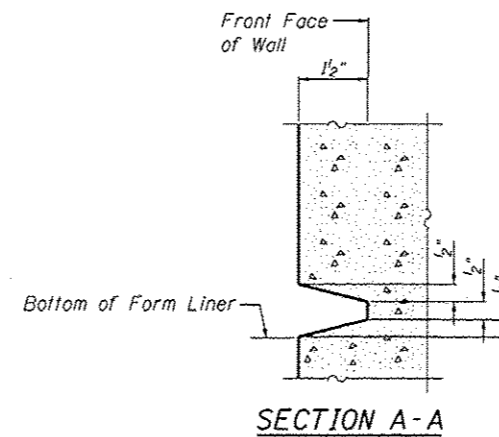
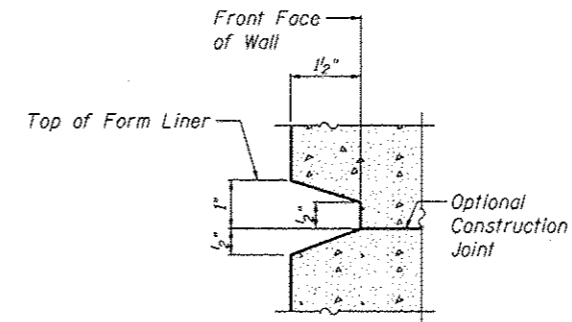
ELEVATION - FORM LINER



END FORM LINER FINISH



PLAN - FORM LINER



SECTION A-A

FORM LINER ELEVATION TABLE

Station	Form Liner Top Elevation	Form Liner Bottom Elevation
3911+30.14	None	None
3911+38.01	697.57	696.96
3911+51.06	699.50	697.09
3911+55.10	699.50	697.14
3911+80.05	699.50	697.41
3912+05.01	699.50	697.67
3912+30.01	699.50	697.94
3912+55.00	699.50	698.21
3912+80.00	699.50	698.48
3913+05.00	699.50	698.74
3913+24.09	699.50	698.95
3913+30.00	None	None

ARCHITECTURAL FINISH DETAILS
SN 022-W042

STATE OF ILLINOIS
DEPARTMENT OF TRANSPORTATION

ARCHITECTURAL FINISH DETAILS
STA. 3911+30.14 TO STA. 3913+30.00 SN 022-W042

F.A.P. RTE.	SECTION	COUNTY	TOTAL SHEETS	SHEET NO.
338	2011-036-1	DUPAGE	234	94

SHEET NO. SD-7 OF SD-8 SHEETS

ILLINOIS FED. AID PROJECT

ZROKA Engineering
Zroka Engineering, P.C.
4216 North Hermitage
Chicago, IL 60613

USER NAME = SAW	DESIGNED - LAS	REVISED -
	CHECKED - DAZ	REVISED -
PLOT SCALE = 0.1667 "/ IN.	DRAWN - SAW	REVISED -
PLOT DATE = 5/10/2012	CHECKED - LAS	REVISED -