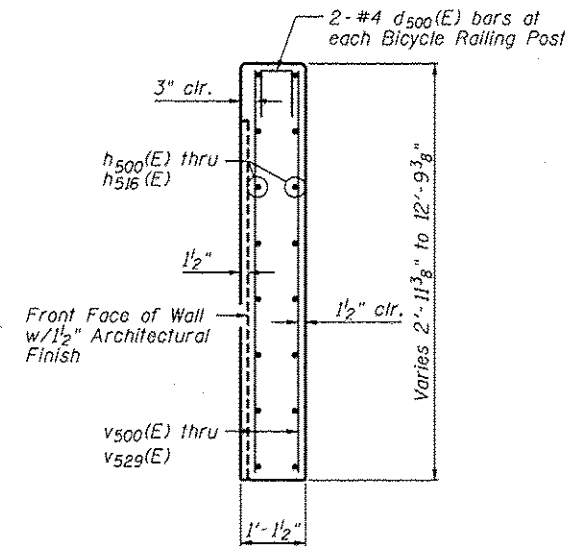
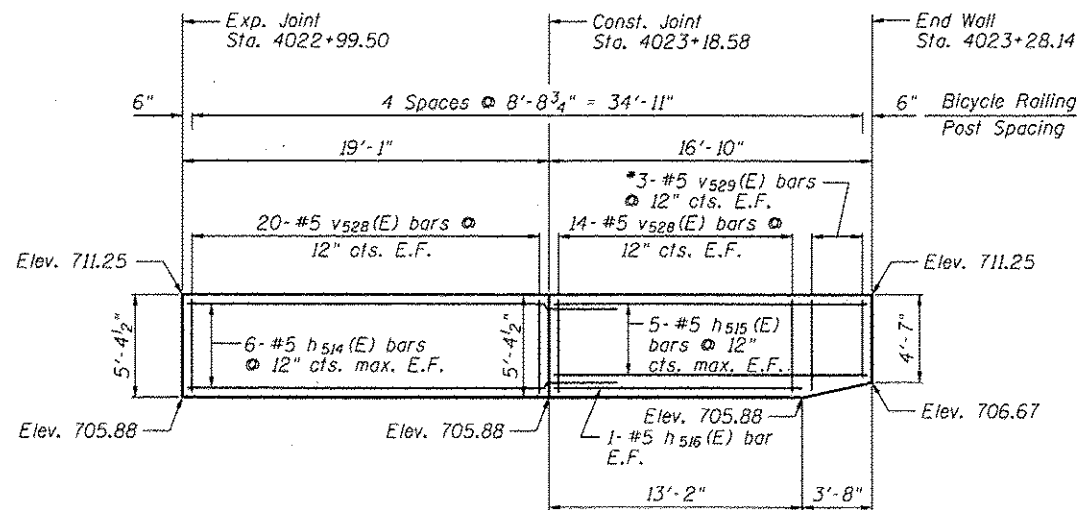


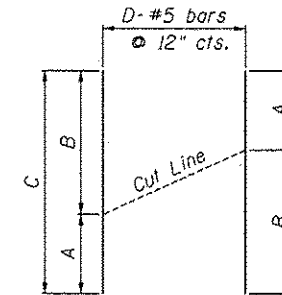
ELEVATION



SECTION THRU CONCRETE FACING



ELEVATION



CUTTING DIAGRAM

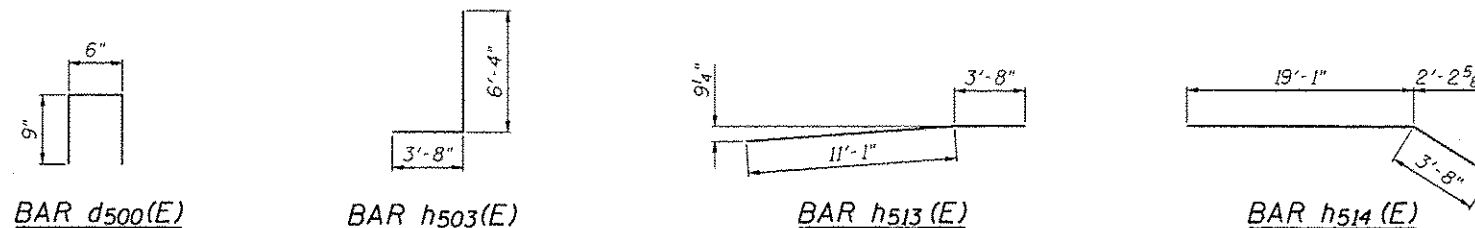
Bar	A	B	C	D
v500(E)	4'-6"	5'-8"	10'-2"	29
v501(E)	5'-8"	6'-10"	12'-6"	31
v502(E)	6'-10"	7'-7"	14'-5"	20
v507(E)	8'-6"	10'-0"	18'-6"	31
v509(E)	10'-0"	11'-4"	21'-4"	30
v511(E)	11'-4"	12'-4"	23'-8"	24
v512(E)	11'-10"	12'-5"	24'-3"	15
v515(E)	12'-3"	11'-10"	24'-1"	24
v518(E)	11'-8"	11'-0"	22'-8"	11
v519(E)	11'-0"	8'-11"	19'-11"	31
v520(E)	8'-5"	7'-8"	16'-1"	12
v523(E)	7'-3"	6'-10"	14'-1"	31
v524(E)	6'-10"	6'-6"	13'-4"	31
v525(E)	6'-6"	6'-1"	12'-7"	31
v529(E)	5'-1"	4'-3"	9'-4"	3

Bar	No.	Size	Length	Shape
d500(E)	140	#4	2'-0"	□
h500(E)	144	#5	33'-8"	—
h501(E)	138	#5	29'-8"	—
h502(E)	50	#5	28'-3"	—
h503(E)	100	#5	10'-0"	┘
h504(E)	50	#5	27'-0"	—
h505(E)	50	#5	27'-1"	—
h506(E)	4	#5	13'-5"	—
h507(E)	4	#5	6'-10"	—
h508(E)	54	#5	26'-7"	—
h509(E)	18	#6	26'-10"	—
h510(E)	32	#6	6'-6"	—
h511(E)	32	#6	9'-8"	—
h512(E)	50	#6	34'-5"	—
h513(E)	2	#5	14'-9"	—
h514(E)	12	#5	22'-9"	—
h515(E)	10	#5	16'-6"	—
h516(E)	2	#5	12'-10"	—
v500(E)	29	#5	10'-2"	—
v501(E)	31	#5	12'-6"	—
v502(E)	20	#5	14'-5"	—
v503(E)	22	#5	7'-7"	—
v504(E)	62	#5	7'-9"	—
v505(E)	62	#5	8'-0"	—
v506(E)	62	#5	8'-4"	—
v507(E)	31	#5	18'-6"	—
v508(E)	18	#5	10'-0"	—
v509(E)	30	#5	21'-4"	—
v511(E)	24	#5	23'-8"	—
v512(E)	15	#5	24'-3"	—
v513(E)	14	#5	10'-11"	—
v514(E)	16	#5	12'-4"	—
v515(E)	24	#5	24'-1"	—
v516(E)	14	#5	11'-9"	—
v517(E)	22	#5	4'-0"	—
v518(E)	11	#5	22'-8"	—
v519(E)	31	#5	19'-11"	—
v520(E)	12	#5	16'-1"	—
v521(E)	38	#5	7'-6"	—
v522(E)	62	#5	7'-4"	—
v523(E)	31	#5	14'-1"	—
v524(E)	31	#5	13'-4"	—
v525(E)	31	#5	12'-7"	—
v526(E)	62	#5	5'-6"	—
v527(E)	62	#5	5'-8"	—
v528(E)	68	#5	5'-1"	—
v529(E)	3	#5	9'-4"	—

Item	Unit	Quantity
Concrete Structures	Cu. Yd.	214.1
Reinforcement Bars, Epoxy Coated	Pound	31,720
Pipe Underdrains for Structures, 4"	Foot	645
Geocomposite Wall Drain	Sq. Yd.	282

Notes:  
 Minimum lap for #5 bar is 3'-8".  
 Space reinforcement in wall to miss shear studs.  
 \* signifies cut bar. Order per length on Bill of Material. Cut as shown in Cutting Diagram and use half of bars in each face.



CONCRETE FACING & DETAILS  
 SN 022-W052