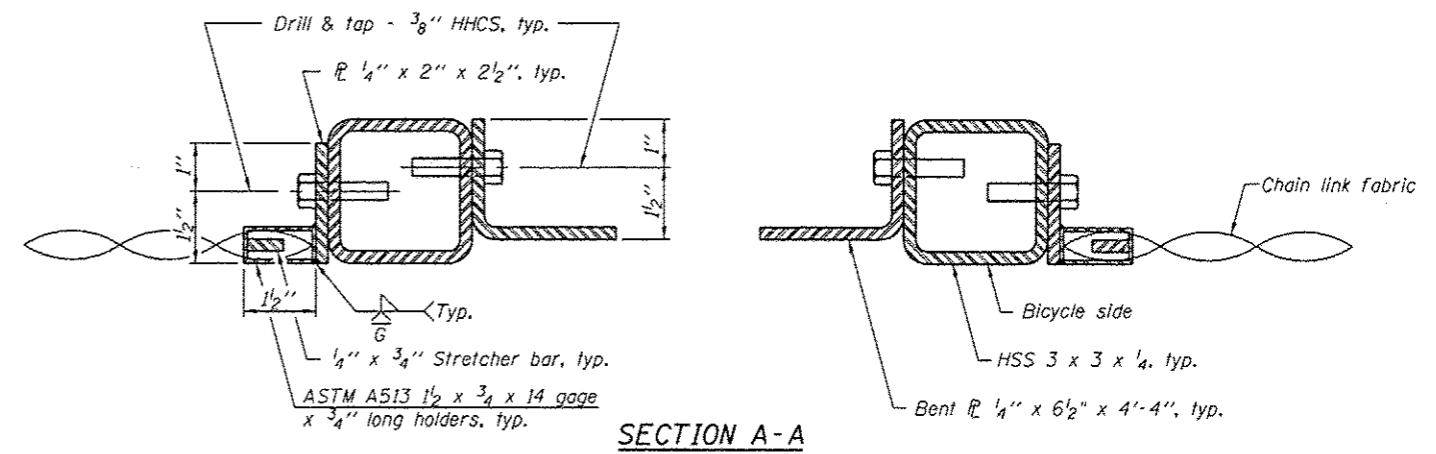
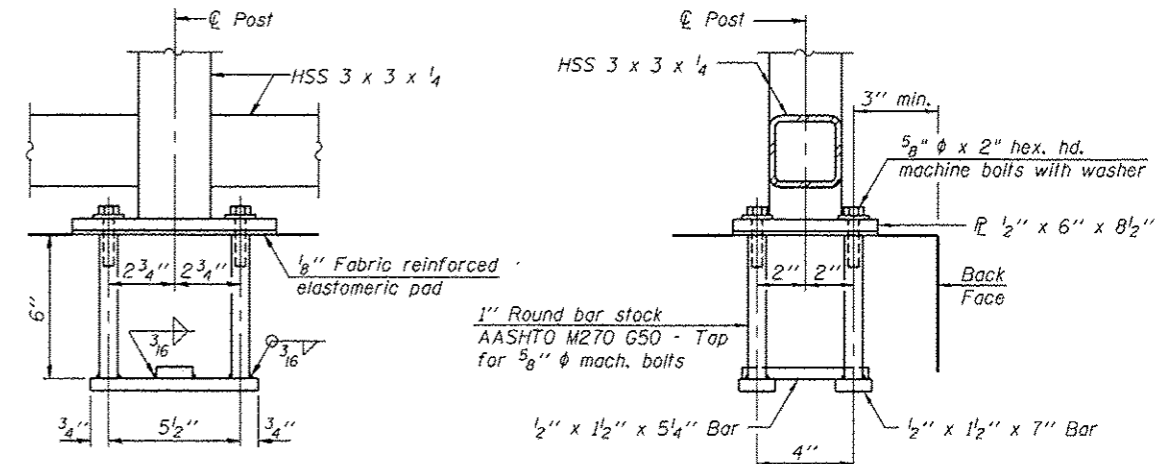


All steel rail elements shall be galvanized according to Article 509.05 of the Standard Specifications.

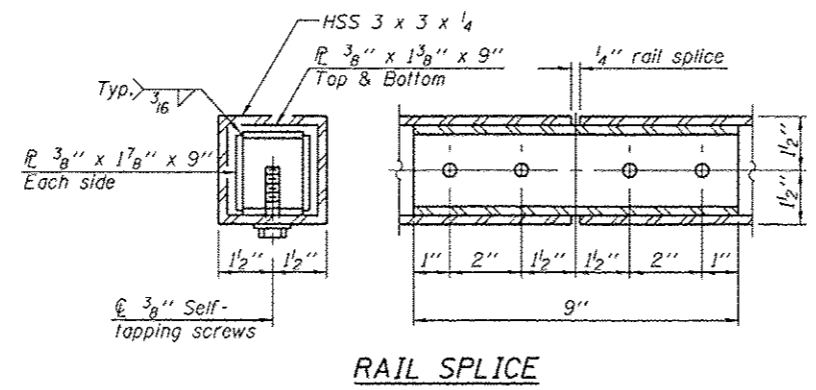
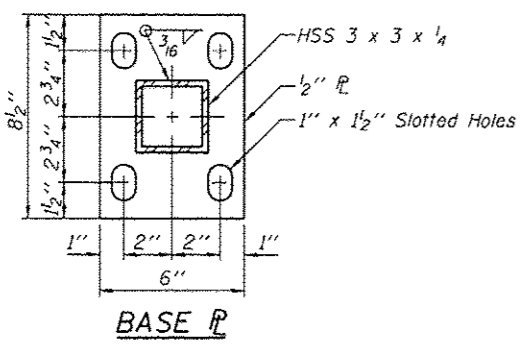


BICYCLE RAILING AT STEP



ANCHOR BOLT DETAILS

In lieu of the cast-in-place anchor device shown, the Contractor has the option of drilling and setting 5/8" φ anchor rods according to Article 509.06 of the Standard Specifications. Embedment shall be according to the manufacturer's specifications.



BILL OF MATERIAL

Item	Unit	Quantity
Bicycle Railing	Foot	622

BICYCLE RAILING SN 022-W052

FILE NAME: ...ABP-12-W052-01-BicycleRailing.dgn