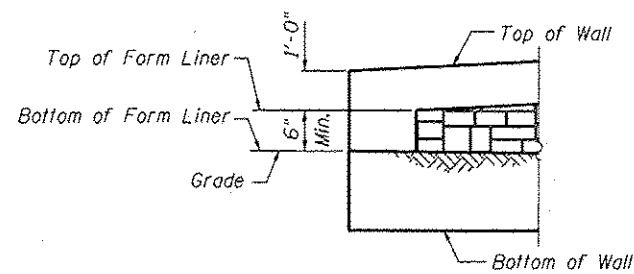
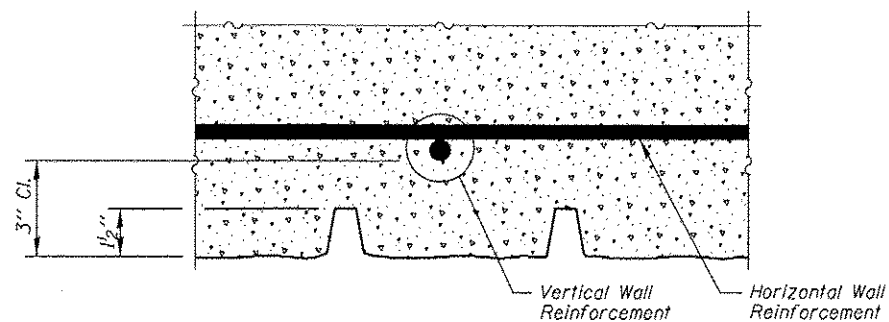


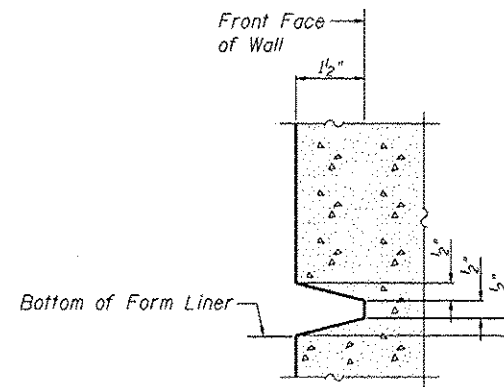
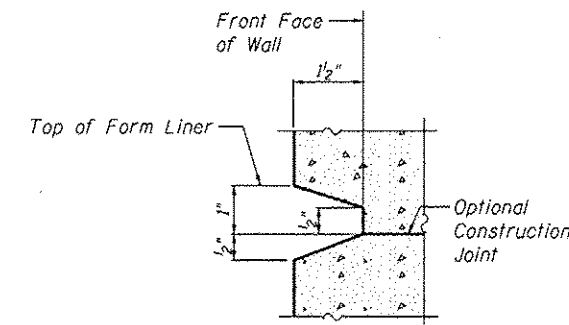
**ELEVATION - FORM LINER**



**END FORM LINER FINISH**



**PLAN - FORM LINER**



**SECTION A-A**

**FORM LINER ELEVATION TABLE**

Station	Form Liner Top Elevation	Form Liner Bottom Elevation
4017+22.00	710.50	708.55
4017+26.00	712.50	708.40
4017+50.00	712.50	707.47
4017+80.00	712.50	706.32
4017+99.19	712.50	705.58
4018+10.00	712.50	705.48
4018+40.00	712.50	705.20
4018+70.00	712.50	704.93
4019+00.00	712.50	704.65
4019+30.00	712.50	703.14
4019+30.00	712.50	703.14
4019+49.00	712.50	702.19
4019+58.60	712.50	701.79
4019+82.00	712.50	700.80
4019+82.00	712.00	700.80
4019+95.77	712.00	700.22
4019+95.77	712.00	701.80
4020+02.27	712.00	701.80
4020+02.27	712.00	700.22
4020+09.42	712.00	700.36
4020+32.33	712.00	700.80
4020+39.16	712.00	701.00
4020+39.16	712.00	708.69
4020+49.50	712.00	708.69
4020+49.50	712.00	701.00
4020+59.50	712.00	701.69
4020+89.50	712.00	703.76
4020+89.50	711.50	703.76
4021+00.75	711.50	704.54
4021+19.50	711.50	704.68
4021+49.50	711.50	704.90
4021+79.50	711.50	705.28
4022+09.50	711.50	705.65
4022+39.50	711.50	706.03
4022+39.50	711.00	706.03
4022+50.50	711.00	706.17
4022+69.50	711.00	706.06
4022+99.50	711.00	705.88
4022+99.50	710.25	705.88
4023+18.58	710.25	705.88
4023+26.06	710.25	705.88
4023+28.14	710.25	706.67

**ARCHITECTURAL FINISH DETAILS  
SN 022-W052**



Zroka Engineering, P.C.  
4216 North Hennitago  
Chicago, IL 60613

USER NAME = SAW	DESIGNED - LAS	REVISED -
PLOT SCALE = 0.1667' / IN.	CHECKED - DAZ	REVISED -
PLOT DATE = 5/4/2012	DRAWN - SAW	REVISED -
	CHECKED - LAS	REVISED -

**STATE OF ILLINOIS  
DEPARTMENT OF TRANSPORTATION**

**ARCHITECTURAL FINISH DETAILS  
STA. 4017+22.00 TO STA. 4023+28.14 SN 022-W052**

SHEET NO. SE-12 OF SE-14 SHEETS

F.A.P. RTE. 338	SECTION 2011-036-1	COUNTY	TOTAL SHEETS 234	SHEET NO. 122
ILLINOIS FED. AID PROJECT			CONTRACT NO. 60P42	

FILE NAME: ...\\BPP-02-W052-012-00-01-01.dwg