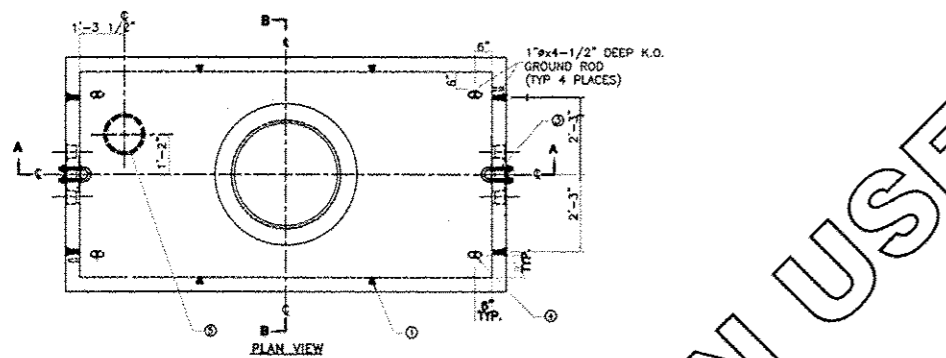
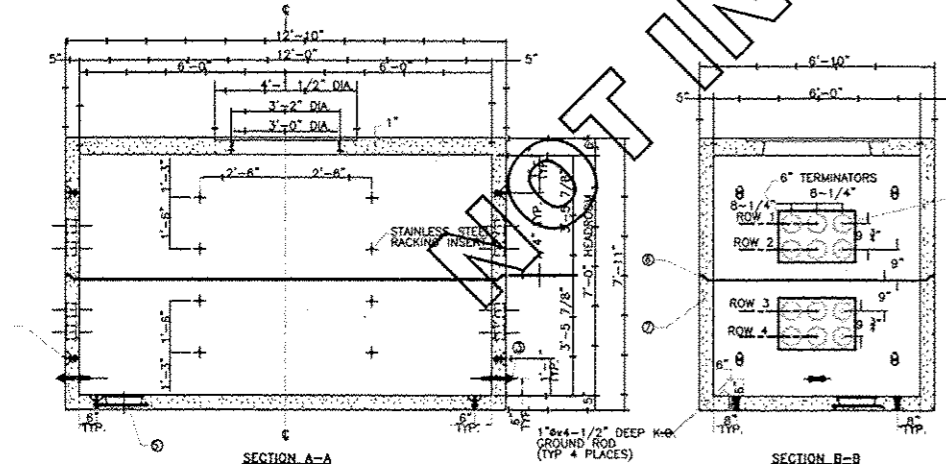


F.A.P. RTE.	SECTION	COUNTY	TOTAL SHEETS	SHEET NO.
338/IL 59	2011-035-1	DUPAGE		
CONTRACT 60P42				
FED. ROAD DIST. NO.	ILLINOIS	FED. AID PROJECT		

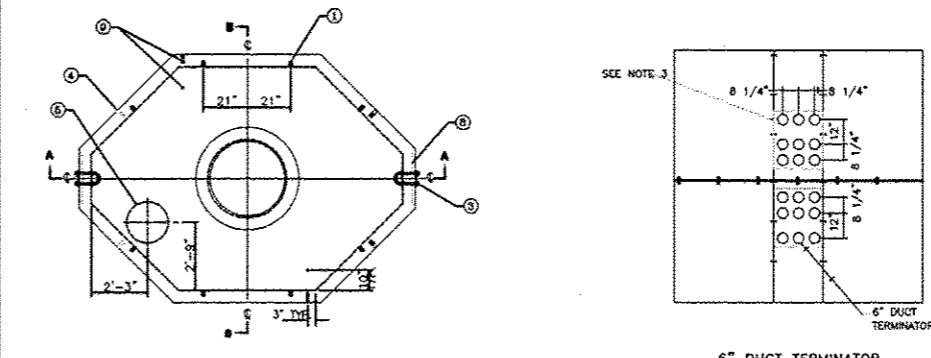


ITEM	DESCRIPTION	QTY	NOTE
	TOTAL MANHOLE WEIGHT	4500	27,405 LBS.
①	TOP SECTION WEIGHT	4500 P.S.I. CONC.	14,100 LBS.
	BASE SECTION WEIGHT		13,305 LBS.
②	REBAR, GR. 60, EPOXY COATED		2
③	6\"/>		

- NOTES:
- CONCRETE: 4500 psi @ 28 DAYS, 5%-8% ENTRAINED AIR, 4\"/>

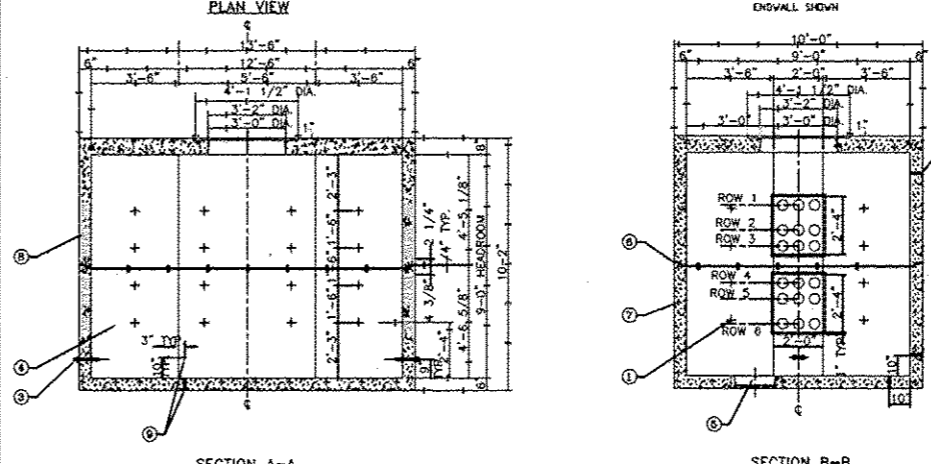


NAPEVILLE PUBLIC UTILITIES DEPARTMENT ELECTRIC STANDARDS	TYPE A MANHOLE	DATE 12-16-04 M70-1140
---	-----------------------	---------------------------

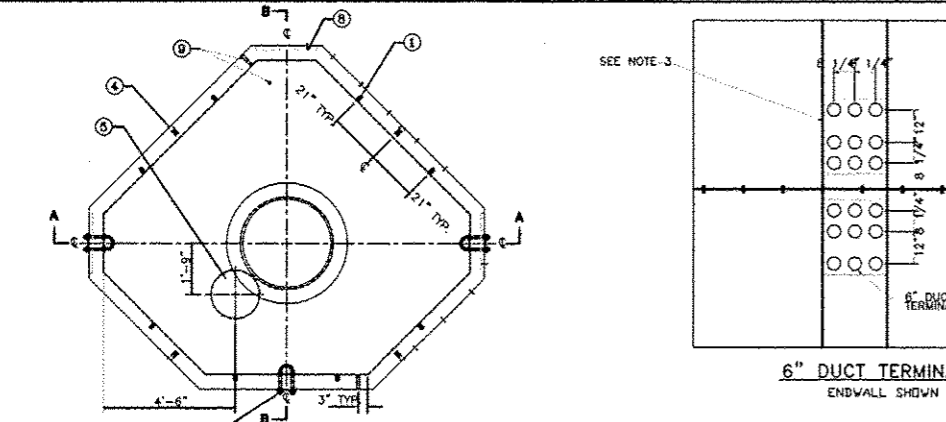


ITEM	DESCRIPTION	QTY	NOTE
	TOTAL MANHOLE WEIGHT	4500	43,000 LBS.
①	TOP SECTION WEIGHT	4500 P.S.I. CONC.	22,000 LBS.
	BASE SECTION WEIGHT		21,000 LBS.
②	REBAR, EPOXY COATED		2
③	1\"/>		

- NOTES:
- CONCRETE: 4500 psi @ 28 DAYS, 5%-8% ENTRAINED AIR, 4\"/>

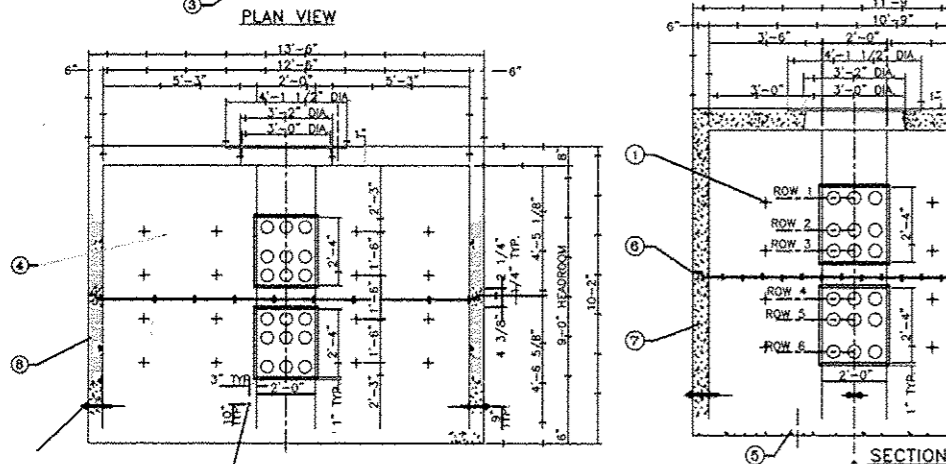


NAPEVILLE PUBLIC UTILITIES DEPARTMENT ELECTRIC STANDARDS	TYPE B MANHOLE	DATE 12-24-04 M70-1160
---	-----------------------	---------------------------



ITEM	DESCRIPTION	QTY	NOTE
	TOTAL MANHOLE WEIGHT	4500	48,000 LBS.
①	TOP SECTION WEIGHT	4500 P.S.I. CONC.	24,000 LBS.
	BASE SECTION WEIGHT		22,000 LBS.
②	REBAR, EPOXY COATED		2
③	1\"/>		

- NOTES:
- CONCRETE: 4500 psi @ 28 DAYS, 5%-8% ENTRAINED AIR, 4\"/>



NAPEVILLE PUBLIC UTILITIES DEPARTMENT ELECTRIC STANDARDS	TYPE C MANHOLE	DATE 12-24-04 M70-1160
---	-----------------------	---------------------------

NOTE:
1) EXISTING MANHOLES USUALLY SINGLE OPENING MANHOLES

PROJECT TITLE					ROUTE 59 ROAD IMPROVEMENTS				
PROJECT DESCRIPTION					DETAILS AND STANDARDS				
DESIGNER	BCC	DRAWING DATE	5-11-12	MAP #	4211,4212,4223	SCALE	N.T.S.		
DESIGN BY	DL	DRAWN BY	PSM	REVISIONS DATE	N/A	PROJECT #	EU-12		
CHECKED BY		APPROVED BY		CAD FILE	0060648001D122.DWG	SHEET #	22 OF 63		
Naperville					Department of Public Utilities Electric Division				
					60468				