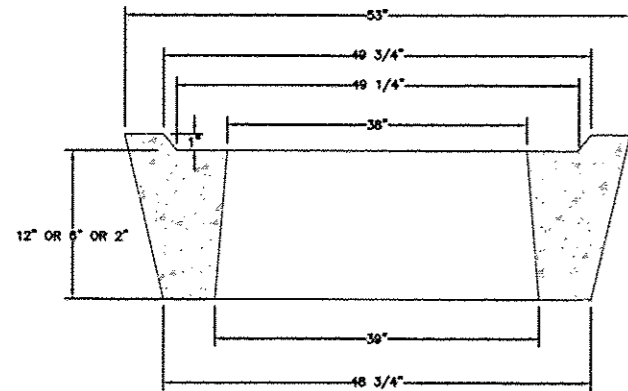
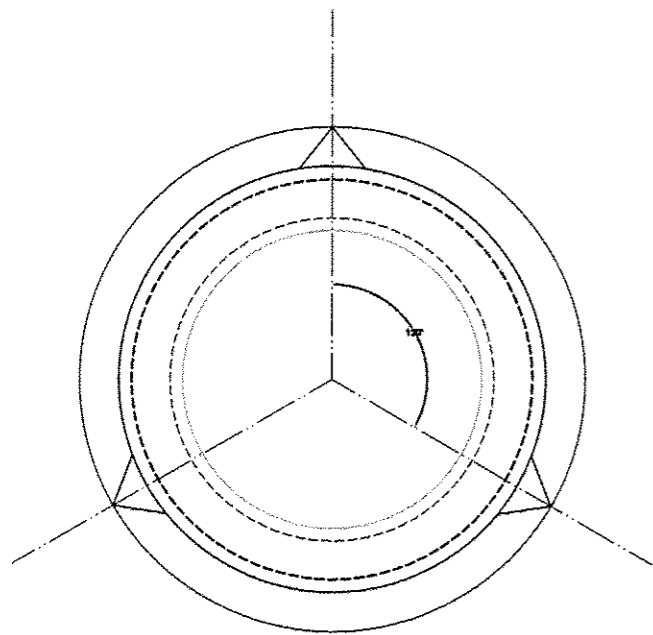
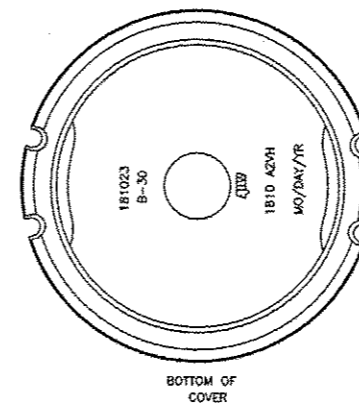
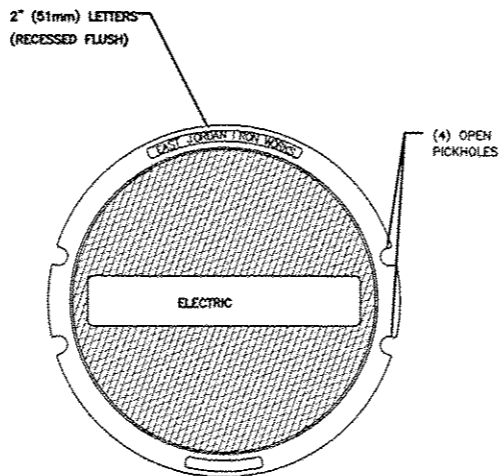


F.A.P. RTE.	SECTION	COUNTY	TOTAL SHEETS	SHEET NO.
338/IL 59	2011-035-1	DUPAGE		
FED. ROAD DIST. NO.		ILLINOIS	CONTRACT 60P42	
		FED. AID PROJECT		



- NOTES:
1. CONCRETE 4500 PSI AT 28 DAYS
  2. EACH ADJUSTING RING SHALL COME WITH 14 FEET OF 1" INCH DIAMETER JOINT SEALANT TAPE.

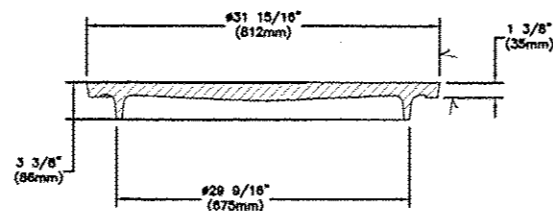
MANHOLE  
ADJUSTING RING



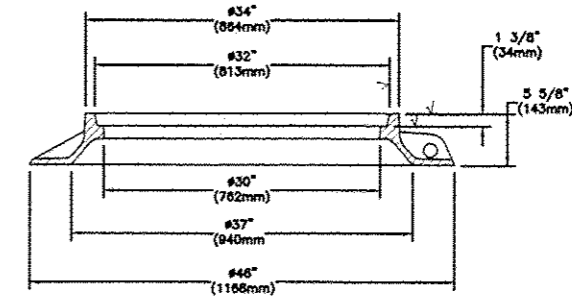
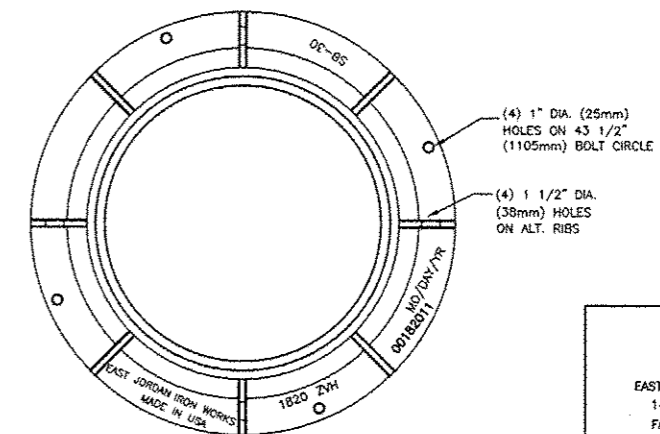
EAST JORDAN  
IRON WORKS, INC.  
P.O. BOX 439  
EAST JORDAN, MI. 49727  
1-800-874-4100  
FAX 231-536-4458

EST. WT.  
COVER: 295 LBS 134kg

✓ MACHINED SURFACE



COVER SECTION



EAST JORDAN  
IRON WORKS, INC.  
P.O. BOX 439  
EAST JORDAN, MI. 49727  
1-800-874-4100  
FAX 231-536-4458

EST. WT.  
FRAME: 295 LBS 134kg

✓ MACHINED SURFACE

FRAME SECTION

NOTES:

- 1) CONTRACTOR IS ADVISED THE MANHOLE AS SUPPLIED FROM UTILITY CONCRETE PRODUCTS (UCP), IS SHIPPED WITH 4-12" ADJUSTING RING ONLY.
- 2) CONTRACTOR IS ADVISED THAT 2" AND 6" ADJUSTING RINGS ARE AVAILABLE FROM THE CITY, IF REQUESTED BY THE CONTRACTOR. CONTRACTOR TO PICK UP AND IS INCIDENTAL TO THE CONTRACT.
- 3) COVERS AND FRAME SECTIONS ARE TO BE PICKED UP AT THE CITY STORAGE YARD AND IS INCIDENTAL TO THE CONTRACT.

PROJECT TITLE						ROUTE 59 ROAD IMPROVEMENTS					
PROJECT DESCRIPTION						DETAILS AND STANDARDS					
ENGINEER	BCC	DRAWING DATE	S-11-12	WSP #	4211,4212,4223	SCALE	N.T.S.				
DESIGN BY	DL	DRAFTED BY	PSM	REVISIONS DATE	N/A	PROJECT #	EU-12				
CHECKED BY		APPROVED BY		CAD FILE	0060648001D125.DWG	SHEET #	25 OF 63				
Naperville						Department of Public Utilities Electric Division				WORK REQUEST #	60468