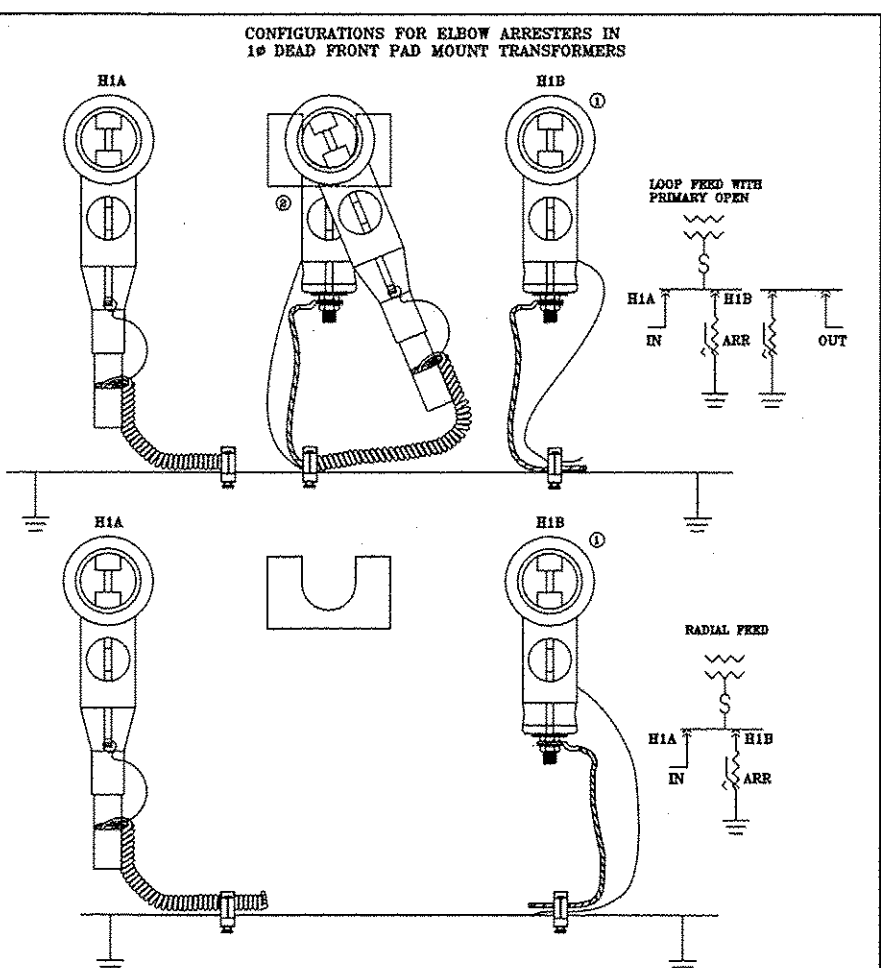


- NOTES:
- ONE STRAND OF CONCRETE NEUTRAL FOR DRAIN WIRE.
 - SEE C30-0500 FOR 200A ELBOW STANDARD.
 - SEE C30-1010 FOR FAULT INDICATOR INSTALLATION. FAULT INDICATORS NOT REQUIRED FOR RADIAL TRANSFORMER INSTALLATION.
 - BENDS SHALL BE INSTALLED PER FIELD CONDITION.
 - SPARES NOT SHOWN.
 - TRANSFORMER TO BE BOLTED TO VAULT IN TWO LOCATIONS. DRILL 9/16" HOLES IN VAULT. REFER TO TOP VIEW AND DETAIL "A".
 - ALLOW SUFFICIENT SLACK IN PRIMARY AND SECONDARY CABLES TO ACCOMMODATE SLIGHT VARIATIONS IN BUSHING HEIGHTS BETWEEN DIFFERENT TRANSFORMER SIZES AND MANUFACTURERS.
 - THIS DRAWING SHOWS AN EXISTING TRANSFORMER WITH CABLE INSTALLED WITH MATERIAL LIST ON RIGHT.
 - CONTRACTOR TO OBTAIN OUTAGE OF TRANSFORMER PRIOR TO DOING ANY WORK.
 - CONTRACTOR TO INSTALL 3", 5" AND 6" CONDUIT INTO EXISTING AS SPECIFIED IN SPECIFICATIONS CAP AND PLUGS ALL CONDUITS.
 - ALL GROUNDING CONNECTIONS AND TERMINATIONS SHALL BE INSPECTED TO DETERMINE CONDITION OF CONNECTIONS BY THE CONTRACTOR REPORT FINDING.

CODE	QTY	DESCRIPTION
DEVTC	1	Vault, 1# trf/fuse can
DnBxxP	**	Bend, PVC
DnBxxS	**	Bend, Steel
DnF	**	Bell Fitting, PVC
DnP	**	Plug, PVC
TmUa	1	Transformer, pad mounted
UGT1	1	Grounding, Transformer, 1#
UT15a	1	Faulted Circuit Indicator
UNSS37a	3	Connector 1# Set Screw
UT15a*	**	Elbow, 16KV
UT15a	2	Elbow, 16KV

* E or P (Elbow or Parking Stand)
 ** qty is dependent on application
 n is dependent on size
 m is dependent on secondary voltage
 k is bend angle dependent on field condition (typically 45°)



- NOTES:
- ELBOW ARRESTER.
 - PARKING STAND ARRESTER.

DEVTC: VAULT, 1# TRF/FUSE CAN

Item Code	Description 1	Description 2	QTY	TC	PC	F	AK	M
284 100 00120	EXTENDER, 1# TRF VAULT	44" x 44" x 29" W/25" OPEN	1					
284 101 00010	VAULT, AIR SWITCH	74" x 70" x 24" (FIBER-CRTE)	1					
284 101 00020	VAULT, 1# TRF/FUSE CAN	44" x 44" x 29" (FIBER-CRTE)	1					
284 101 00030	VAULT, 3# PLUG CAN	23" x 60" x 36" (FIBER-CRTE)	1					
284 101 00040	VAULT, 3# FUSE CAN	40" x 60" x 36" (FIBER-CRTE)	1					
284 101 00100	EXTENDER, AIR SWITCH VAULT	74" x 70" x 24" (FIBER-CRTE)	1					
NON	VAULT, 12.47KV PRL METERING	56" x 56" x 20" (FIBER-CRTE)	1					

DnBxxP: BEND, PVC

Assembly	Item Code	Description 1	Description 2	QTY
D3B30P	285 101 00020	ELBOW, 30" R STL 90 DEG 3"	STANDARD PARTS SCH 40	1
D3B45P	285 101 00030	ELBOW, 30" R PVC 45 DEG 3"	SCH 40	1
D3B60P	285 101 00040	ELBOW, 30" R PVC 90 DEG 3"	SCH 40	1
D3B90P	285 101 00050	ELBOW, 30" R PVC 90 DEG 6"	SCH 40	1
D3B45P	285 101 00060	ELBOW, 30" R PVC 45 DEG 5"	SCH 40	1
D3B60P	285 101 00100	ELBOW, 30" R PVC 90 DEG 5"	SCH 40	1
D3B90P	285 101 00220	ELBOW, 48" R PVC 90 DEG 6"	SCH 40	1
D3B45P	285 101 00230	ELBOW, 48" R PVC 45 DEG 6"	SCH 40	1
D3B60P	285 101 00240	ELBOW, 48" R PVC 90 DEG 6"	SCH 40	1

D3BxxS: BEND, 3" STEEL

Item Code	Description 1	Description 2	QTY
285 101 00140	ELBOW, 30" R STL 90 DEG 3"	GALVANIZED	1
285 102 00040	COUPLING, PVC 3"	LONG LINK SCH 40	1

D6BxxS: BEND, 6" STEEL

Item Code	Description 1	Description 2	D6B30S	D6B45S	D6B60S
285 101 00160	ELBOW, 30" R STL 90 DEG 6"	GALVANIZED	1		
285 101 00170	ELBOW, 30" R STL 45 DEG 6"	GALVANIZED		1	
285 101 00180	ELBOW, 30" R STL 90 DEG 6"	GALVANIZED			1
285 102 00110	COUPLING, PVC 6"	LONG LINK SCH 40	1	1	1

D8BxxS: BEND, 8" STEEL

Item Code	Description 1	Description 2	D8B15S	D8B22S	D8B30S	D8B45S	D8B60S
285 101 00180	ELBOW, 48" R STL 11 DEG 8"	GALVANIZED	1				
285 101 00185	ELBOW, 48" R 22.5 DEG 8"	GALVANIZED		1			
285 101 00190	ELBOW, 48" R STL 30 DEG 8"	GALVANIZED			1		
285 101 00200	ELBOW, 48" R STL 45 DEG 8"	GALVANIZED				1	
285 101 00210	ELBOW, 48" R STL 90 DEG 8"	GALVANIZED					1
285 102 00140	COUPLING, PVC 6"	LONG LINK SCH 40	1	1	1	1	1

DnF: BELL FITTING, PVC

Item Code	Description 1	Description 2	D3F	D5F	D6F
285 103 00040	BELL FITTING, PVC 3"	SCH 40 & SCH 60	1		
285 103 00050	BELL FITTING, PVC 5"	SCH 40 & SCH 80		1	
285 103 00100	BELL FITTING, PVC 6"	SCH 40 & SCH 80			1

DnP: PLUG, PVC

Item Code	Description 1	Description 2	D3P	D5P	D6P
285 103 00030	PLUG, PVC 3"	WITH PULL TAB	1		
285 103 00070	PLUG, PVC 5"	WITH PULL TAB		1	
285 103 00090	PLUG, PVC 6"	WITH PULL TAB			1

NAPERVILLE PUBLIC UTILITIES DEPARTMENT
ELECTRIC STANDARDS

SINGLE PHASE PADMOUNT TRANSFORMER ASSEMBLY

DATE: 01-16-08
Page 3 of 4
C30-0011

- NOTES:
- CONTRACTOR IS ADVISED THIS SPECIFICATION SHOWS AN EXISTING TRANSFORMER AND VAULT INSTALLATION. THIS IS WHAT IS STANDARD SO WHEN CONTRACTOR HAS TO INSTALL DUCTS INTO AN EXISTING LOCATION, THE CONTRACTOR CAN PLAN THE WORK.
 - WHEN A VAULT IS TO BE INSTALLED THE CONTRACTOR SHALL INSTALL THE VAULT, GROUNDING, EXCAVATION, BACKFILL AND RESTORATION TO THE ELEVATION IN THE GENERAL SPECIFICATION.

NAPERVILLE PUBLIC UTILITIES DEPARTMENT
ELECTRIC STANDARDS

SINGLE PHASE PADMOUNT TRANSFORMER ASSEMBLY

DATE: 01-16-08
Page 1 of 4
C30-0011

NAPERVILLE PUBLIC UTILITIES DEPARTMENT
ELECTRIC STANDARDS

SINGLE PHASE PADMOUNT TRANSFORMER ASSEMBLY

DATE: 01-16-08
Page 2 of 4
C30-0011

TmUa: TRANSFORMER, PAD MOUNTED

Item Code	Description 1	Description 2	QTY	Y240	Y200	Y150	Y100	Y75	Y50	Y25
281 100 00120	1-PH LOOP TRANSFORMER	10kVA 7.2kV 120/240 V	1							
281 100 00130	1-PH LOOP TRANSFORMER	25kVA 7.2kV 120/240 V	1							
281 100 00140	1-PH LOOP TRANSFORMER	37.5kVA 7.2kV 120/240 V	1							
281 100 00150	1-PH LOOP TRANSFORMER	50kVA 7.2kV 120/240 V	1							
281 100 00160	1-PH LOOP TRANSFORMER	75kVA 7.2kV 120/240 V	1							
281 100 00170	1-PH LOOP TRANSFORMER	100kVA 7.2kV 120/240 V	1							
281 100 00180	1-PH LOOP TRANSFORMER	167kVA 7.2kV 120/240 V	1							
281 100 00190	1-PH LOOP TRANSFORMER	250kVA 7.2kV 120/240 V	1							
284 100 00310	SIGN	6" X 8" WITH BRASSERS	1	1	1	1	1	1	1	1
286 100 00230	CONNECTOR, 1" STUD, 10-350	1PH TRF, 6 CONDUCTORS	1	1	1	1	1	1	1	1
286 100 00235	CONNECTOR, 5/8" STUD, 5-500	1PH TRF	1	1	1	1	1	1	1	1
287 100 00240	PADLOCK, BRONZE	W/1 1/2" SHACKLE	1	1	1	1	1	1	1	1

UT15a: FAULTED CIRCUIT INDICATOR

Item Code	Description 1	Description 2	QTY	UT15A	UT15B	UT15C
283 100 00210	GUARD, WIRE	SPIRAL	4	3	-	-
284 120 00010	VAULT INDICATOR, 1/8 - 4/0 15KV		1	3	-	-
284 120 00020	FAULT INDICATOR, 750 - 1000 15KV		1	3	-	-
284 120 00030	INDICATOR CABLE, 3 TO 1	10 FOOT	1	1	1	1
284 120 00040	INDICATOR CABLE, 1 TO 1	6 FOOT	1	-	-	-
284 120 00050	TRNS. CABLE	SMALL	4	2	6	6
284 120 00060	CLIP	ADHESIVE BACKED	4	2	6	6

UNSSa: CONNECTOR 1# SET SCREW

Assembly Code	Item Code	Description 1	Description 2	QTY
UNSS37a	286 100 00230	CONN, 5/8" STUD, 10-350	1PH TRF, 6 CONDUCTORS	1
UNSS37a	286 100 00235	CONN, 5/8" STUD, 5-500	1 PH TRF	1

UNSSa: CONNECTOR 1# SET SCREW

Item Code	Description 1	Description 2	QTY	UT15A	UT15B	UT15C
284 110 00020	ARRESTER, ELBOW	3/10 KV	1	1	1	1
284 110 00030	ARRESTER, PARKING STAND	3/10 KV	1	1	1	1
284 110 00040	ARRESTER, PUSHING INSERT	3/10KV	1	1	1	1
286 100 00220	CONNECTOR, BREAKAWAY CU	1/0 - 4/0 STR	1	1	1	1

UT15b: ELBOW, 16KV

Item Code	Description 1	Description 2	QTY	UT15B	UT15C	UT15D	UT15E	UT15F	UT15G	UT15H	UT15I	UT15J	UT15K	UT15L	UT15M	UT15N	UT15O	UT15P	
284 100 00010	FUSE, ELBOW 6KV	30A	1																
284 110 00020	ELBOW, FUSED 8.5KV 250A	1/0 STR AL 175-220 MIL	1																
284 110 00030	ELBOW, 16KV 200A	1/0 STR AL 175-220 MIL	1																
284 110 00040	ELBOW, 16KV 200A EXTENDED	1/0 STR AL 175-220 MIL	1																
284 110 00050	ELBOW, 16KV 200A	4/0 STR AL 175-220 MIL	1																
284 110 00060	ELBOW, 16KV 200A EXTENDED	4/0 STR AL 175-220 MIL	1																
284 110 00070	ELBOW, 16KV 200A, W/LRT	750 MCM STR AL 175-220 MIL	1																
284 110 00080	ELBOW, 16KV 200A EXTENDED	750 MCM STR AL 175-220 MIL	1																
284 110 00090	ELBOW, 16KV 200A, W/LRT	1000 MCM STR AL 175-220 MIL	1																
284 110 00100	ELBOW, 16KV 200A EXTENDED	1000 MCM STR AL 175-220 MIL	1																
284 110 00400	RT CABLE JACKET SEAL	1/0-4/0 10.00"-1.00"	1																
284 110 00440	RT CABLE JACKET SEAL	250-1000 MCM (1.30"-2.67")	1																
285 100 00100	CABLE CLEANER	QUARTS	1																

UGT1: GROUNDING, TRANSFORMER, 1#

Item Code	Description 1	Description 2	QTY	UGT1	UGT2
280 107 00050	CU BARE SD	#4 7-STR	12		
280 107 00070	CU BARE SD	#4 7-STR	1		75
282 106 00010	GROUND ROD, COPPER CLAD	5/8" x 10'	1		4
285 106 00020	CLAMP, GROUND ROD	5/8" ROD - #4 STR	2		4
284 100 00160	CLAMP, TRANS TANK GND.	#6 SOL - 2/0 STR CU	2		2
284 100 00180	CLAMP, TRANS TANK GND.	#6 SOL - 250CMCM	2		2
286 100 00230	CONNECTOR, WEDGE CU	4/0 STR (7) - 4/0 STR (7)	2		2
284 100 00250	CONNECTOR, WEDGE CU	4/0 STR (7) - 5/8" ROD	4		4
286 101 00010	SHRILL, WEDGE AMP	WHITE	6		6
286 100 00210	BREAK-AWAY	2 SOL - 2/0 STR X 2 SOL - 2/0 STR	2		2
286 100 00220	BREAK-AWAY	1/0-4/0 STR X 1/0-4/0 STR	2		2

NAPERVILLE PUBLIC UTILITIES DEPARTMENT
ELECTRIC STANDARDS

SINGLE PHASE PADMOUNT TRANSFORMER ASSEMBLY

DATE: 01-16-08
Page 4 of 4
C30-0011

PROJECT TITLE: ROUTE 59 ROAD IMPROVEMENTS

PROJECT DESCRIPTION: DETAILS AND STANDARDS

DESIGNER: BCC	DRAWING DATE: 5-11-12	APP #: 4211.4212.4223	SCALE: N.T.S.
DESIGN BY: DL	DATE: PSM	REVISIONS DATE: N/A	PROJECT #: EU-12
CHECKED BY:	APPROVED BY:	CAD FILE: 0060648001D135.DWG	SHEET #: 35 OF 63

Naperville Department of Public Utilities
Electric Division

WORK REQUEST # 60468