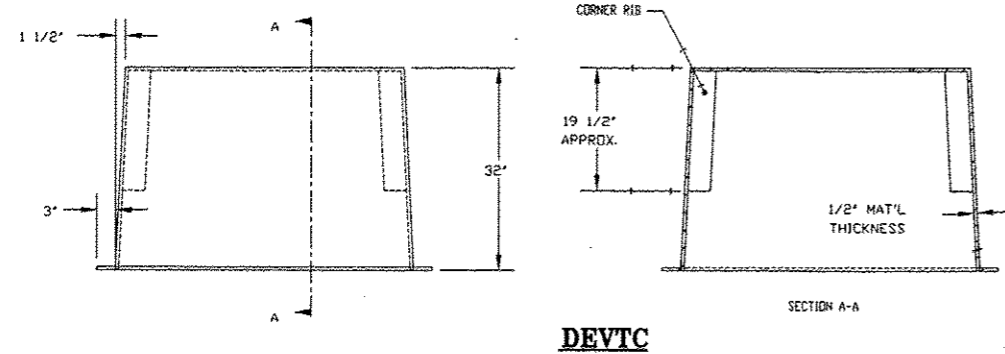
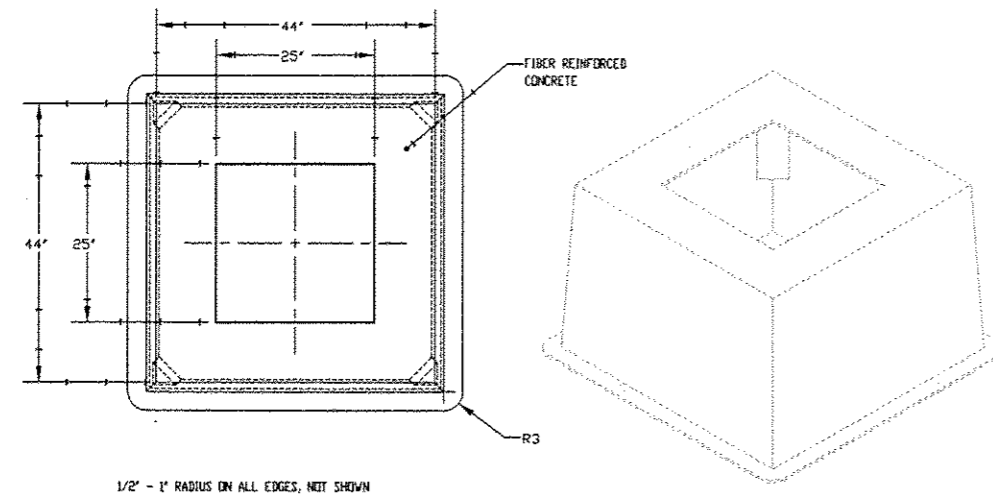


F.A.P. RTE.	SECTION	COUNTY	TOTAL SHEETS	SHEET NO.
338/IL 59	2011-035-1	DUPAGE		
FED. ROAD DIST. NO.			CONTRACT 60P42	
ILLINOIS			FED. AID PROJECT	

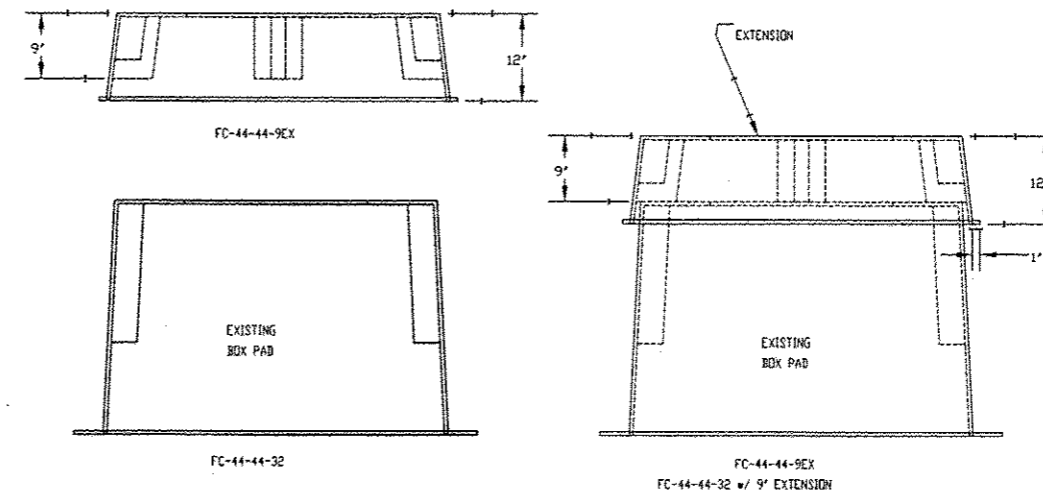
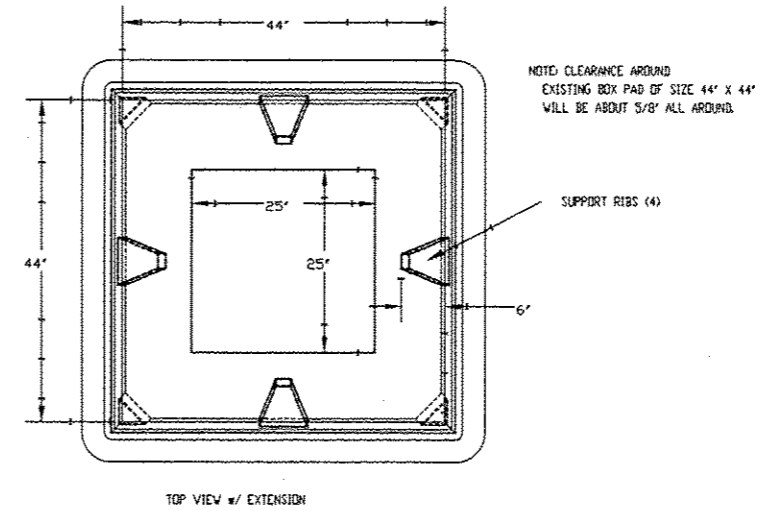
TRANSFORMER PAD



- NOTES:
- 1) SEE M30-1440 FOR PRODUCT MATERIAL SPECIFICATIONS.
 - 2) BOX PAD EXTENSIONS WILL FIT OVER NEW (44 X 44 X 12) AND EXISTING (32 X 43 X 32) TRANSFORMER BOX PADS (SEE M30-1444).

NAPERVILLE PUBLIC UTILITIES DEPARTMENT ELECTRIC STANDARDS	FIBERCRETE BOX PAD FOR 1Ø TRANSFORMER	DATE: 12-26-04 M30-1440
--	--	----------------------------

1Ø TRANSFORMER PAD EXTENDER



- NOTES:
- 1) SEE M30-1440 FOR PRODUCT MATERIAL SPECIFICATIONS.
 - 2) BOX PAD EXTENSIONS WILL FIT OVER NEW (44 X 44 X 12) AND EXISTING (43 X 38 X 32) TRANSFORMER BOX PADS (SEE M30-1440).

NAPERVILLE PUBLIC UTILITIES DEPARTMENT ELECTRIC STANDARDS	BOX PAD EXTENSION FOR 1Ø TRANSFORMER	DATE: 11-02-05 M30-1444
--	---	----------------------------

PROJECT TITLE: ROUTE 59 ROAD IMPROVEMENTS					
PROJECT DESCRIPTION: DETAILS AND STANDARDS					
ENGINEER: BCC	DRAWING DATE: 5-11-12	DATE: 4211,4212,4223	SCALE: N.T.S.		
DESIGN BY: DL	DRAWN BY: PSM	REVISIONS DATE:	DATE OF JOINT AGREEMENT: N/A	PROJECT #:	EU-12
CHECKED BY:	APPROVED BY:	CAD FILE: 0060542001D142.DWG	SHEET #:	42 OF 63	
Naperville			Department of Public Utilities Electric Division		WORK REQUEST #: 60468