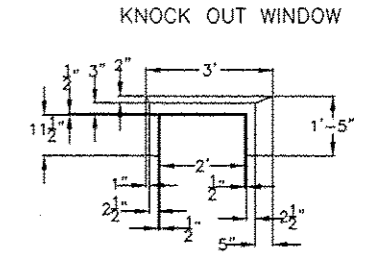
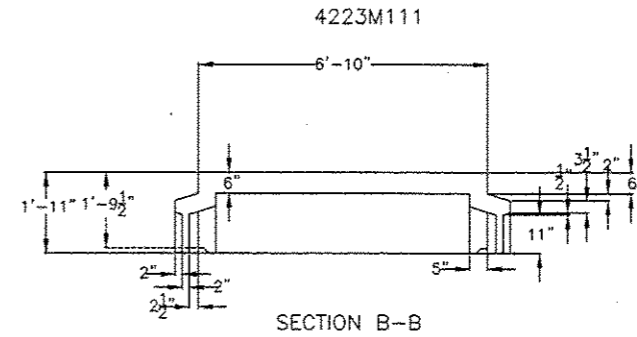
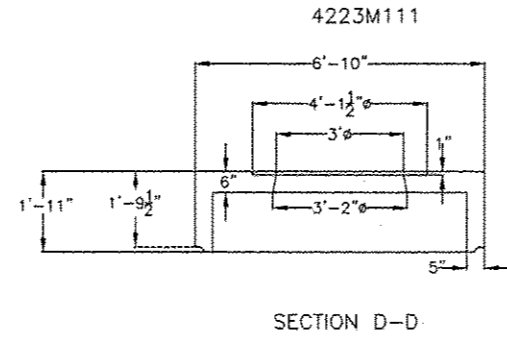
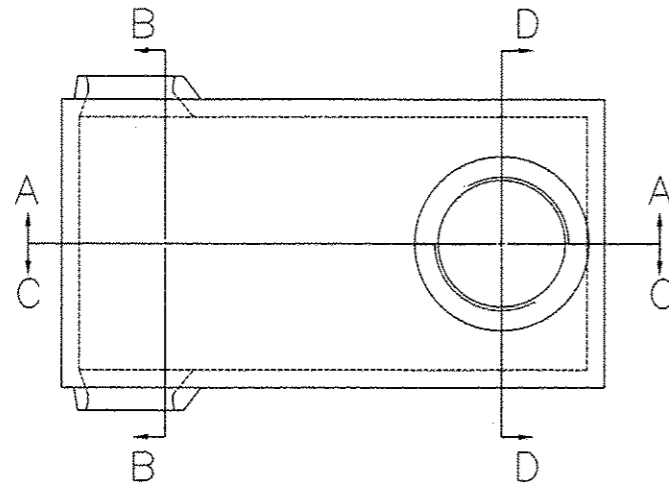
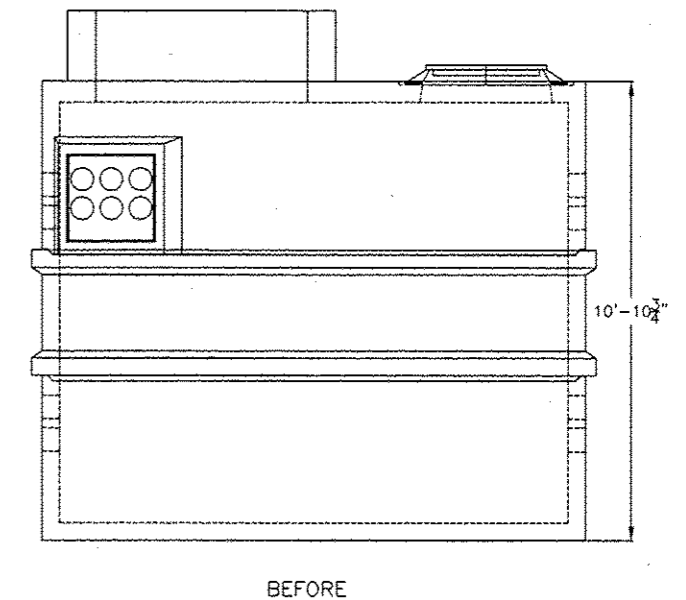
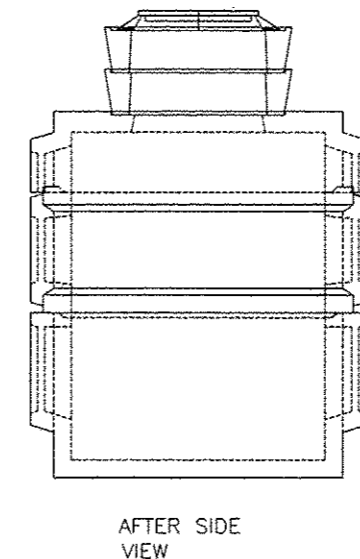
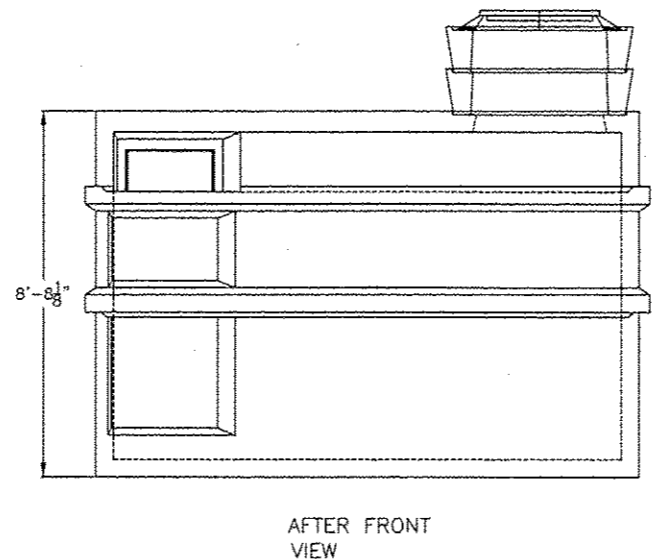
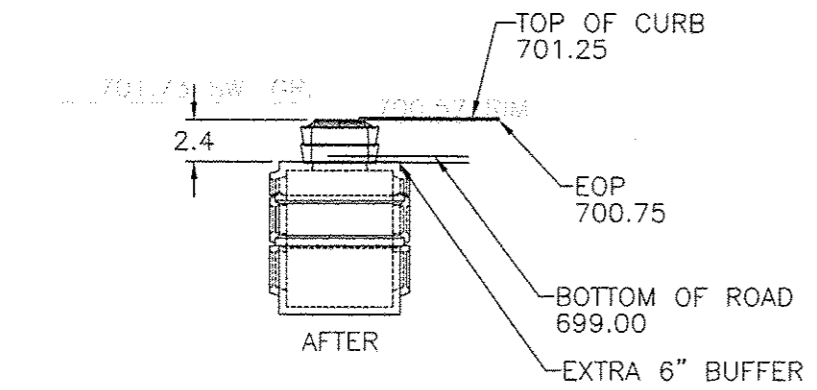
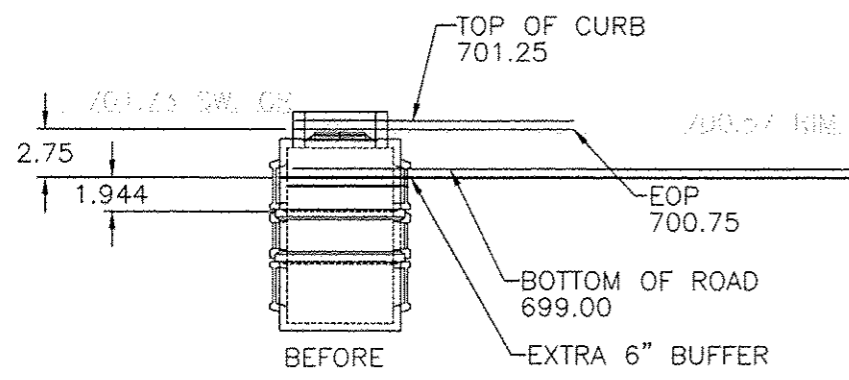
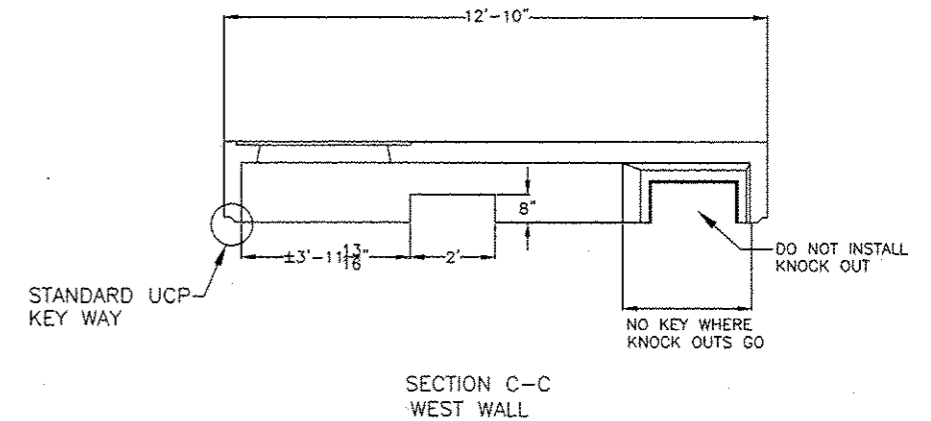
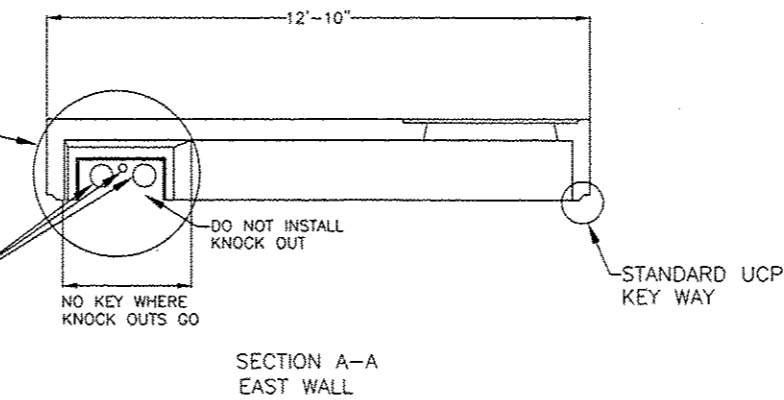


F.A.P. RTE.	SECTION	COUNTY	TOTAL SHEETS	SHEET NO.
338/IL 59	2011-035-1	DUPAGE		
CONTRACT 60P42				
FED.ROAD.DIST.NO.	ILLINOIS	FED. AID PROJECT		



CONSTRUCTION NOTE:
CONTRACTOR TO REMOVE
KEY WAY FROM EXISTING BARREL
SECTION PRIOR TO NEW TOP
SECTION INSTALLATION.

PROPOSED NEW LOCATION
OF EXISTING CONDUIT
GROUT CONDUITS AFTER
TOP SECTION INSTALLATION.



PROJECT TITLE					ROUTE 59 ROAD IMPROVEMENTS				
PROJECT DESCRIPTION					DETAILS AND STANDARDS				
ENGINEER	BCC	DRAWING DATE	5-11-12	MAP #	4211,4212,4223	SCALE	N.T.S.		
DESIGN BY	DL	DRAWN BY	PSM	REVISIONS DATE		AT&T JOINT AGREEMENT #	N/A		
CHECKED BY		APPROVED BY		CAD FILE	00606480010160.DWG	SHEET #	60 OF 63		
Naperville					Department of Public Utilities Electric Division				
					WORK REQUEST # 60468				