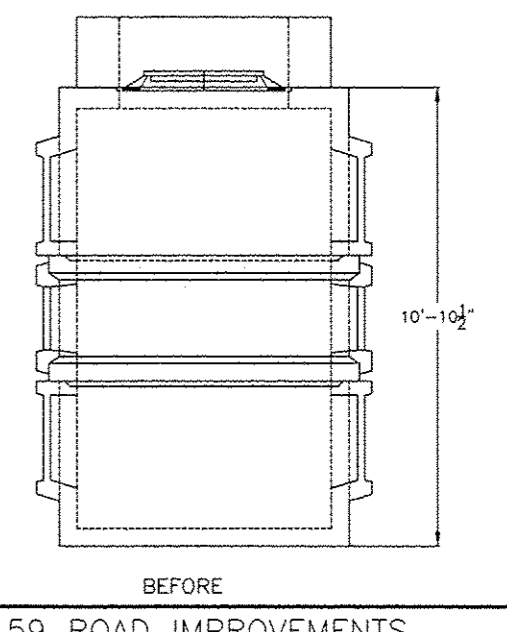
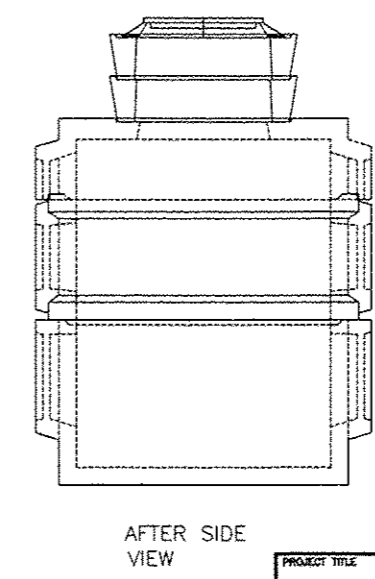
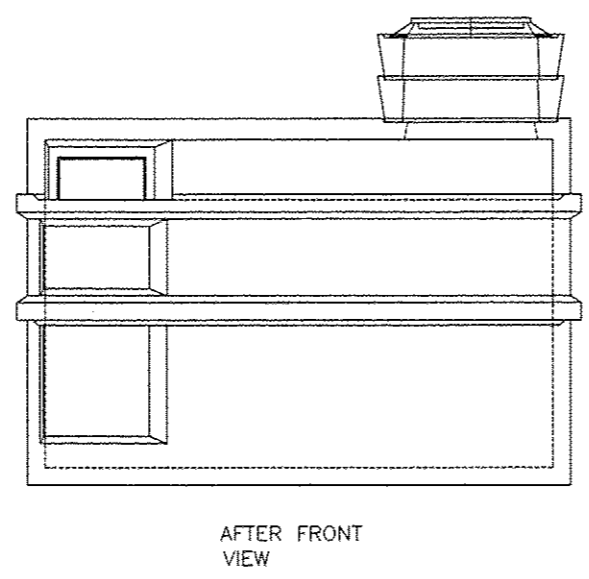
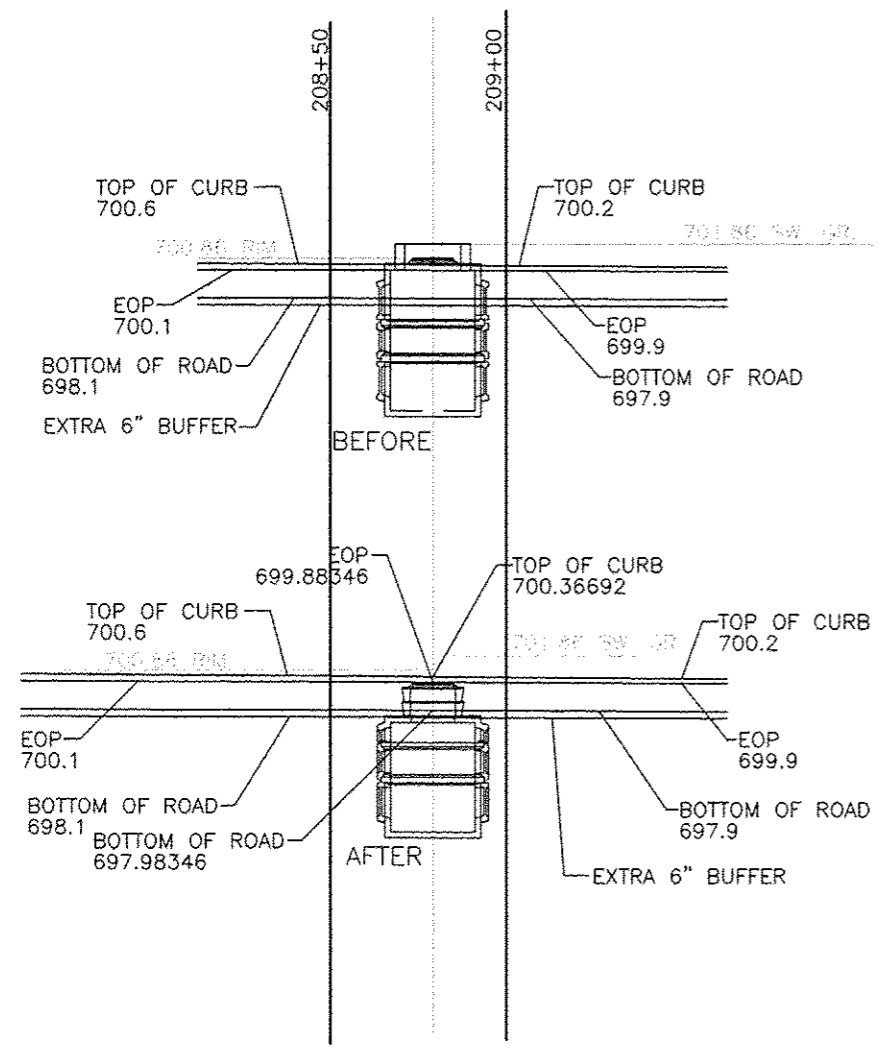
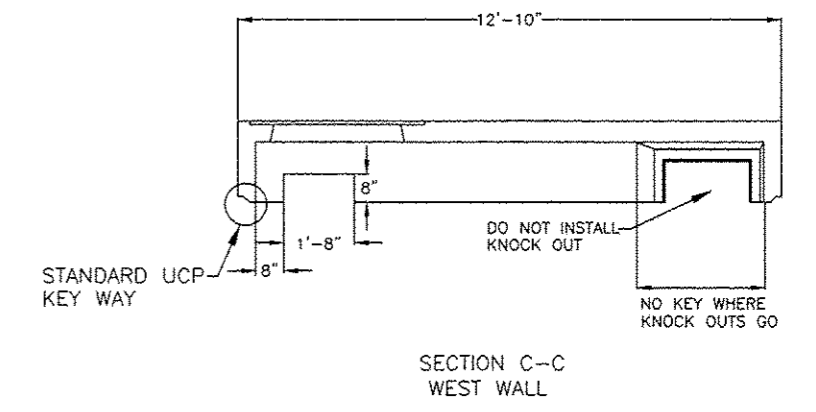
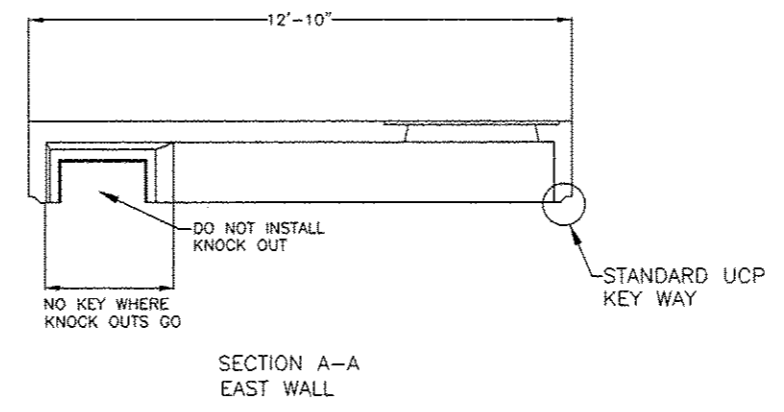
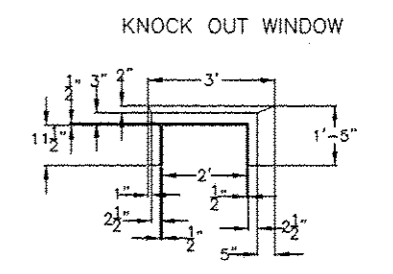
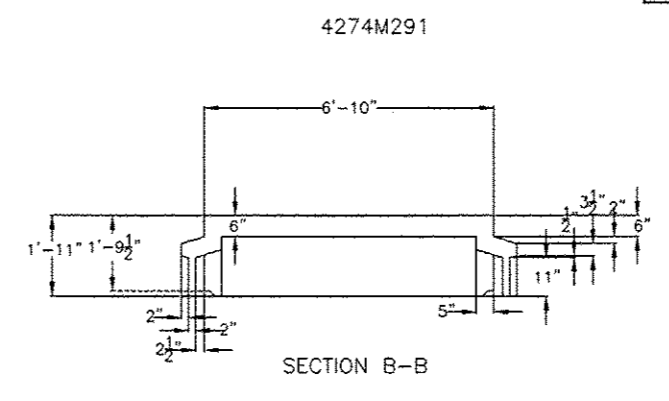
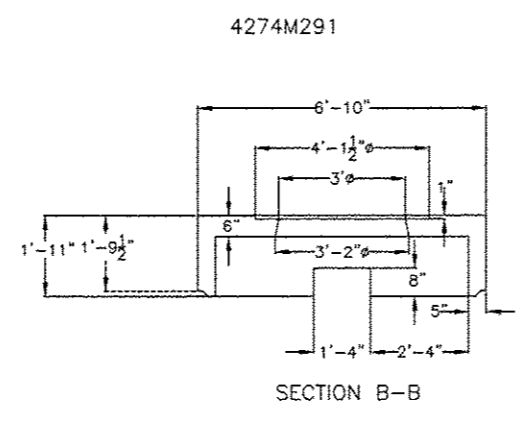
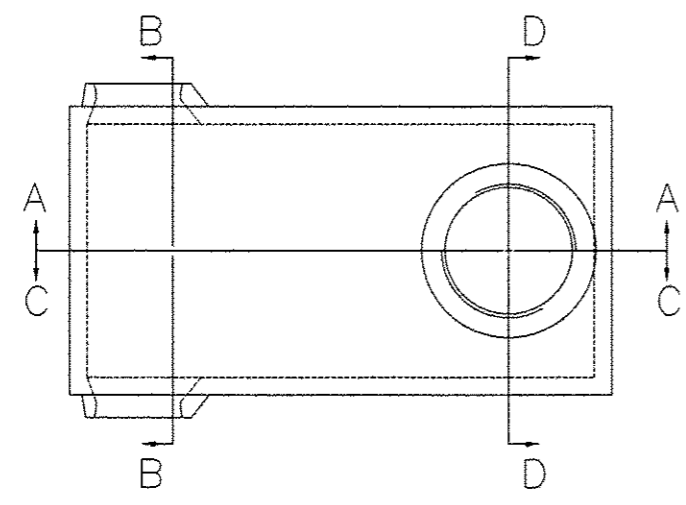


F.A.P. RTE.	SECTION	COUNTY	TOTAL SHEETS	SHEET NO.
338/IL 59	2011-036-1	DUPAGE		
CONTRACT 60P42				
FED.ROAD.DIST.NO.	ILLINOIS	FED. AID PROJECT		



PROJECT TITLE				
ROUTE 59 ROAD IMPROVEMENTS				
PROJECT DESCRIPTION				
DETAILS AND STANDARDS				
ENGINEER	DRAWING DATE	MAP #	SCALE	
BCC	5-11-12	4211,4212,4223	N.T.S.	
DESIGN BY	DESIGNED BY	REVISIONS DATE	NEXT JOINT AGREEMENT #	PROJECT #
DL	PSM		N/A	EU-12
CHECKED BY	APPROVED BY	CAD FILE	SHEET #	
		0060848001D161.DWG	61 OF 63	
Naperville		Department of Public Utilities		WORK REQUEST #
		Electric Division		60468