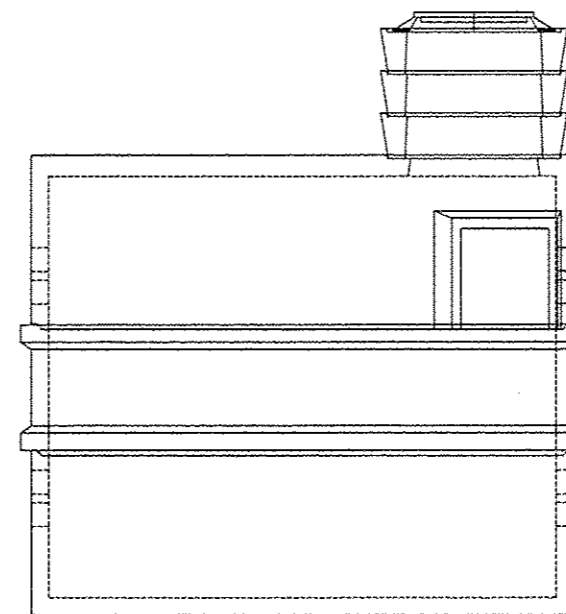
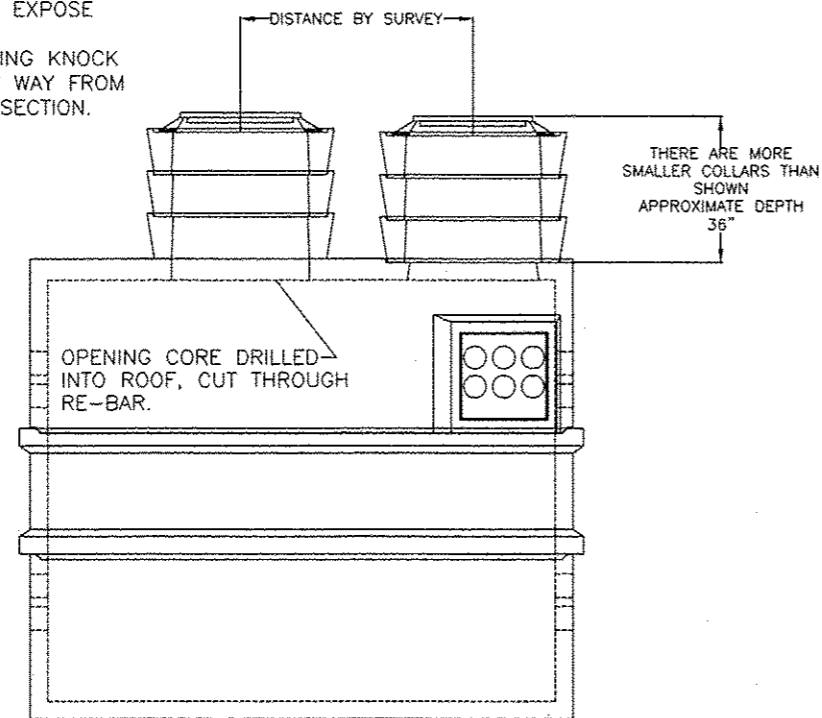


| | | | | |
|-------------------|-----------------------|------------------|----------------|-----------|
| F.A.P. RTE. | SECTION | COUNTY | TOTAL SHEETS | SHEET NO. |
| 338/IL 59 | 2011-035-1 | DUPAGE | | |
| FED.ROAD.DIST.NO. | | ILLINOIS | CONTRACT 60P42 | |
| | | FED. AID PROJECT | | |

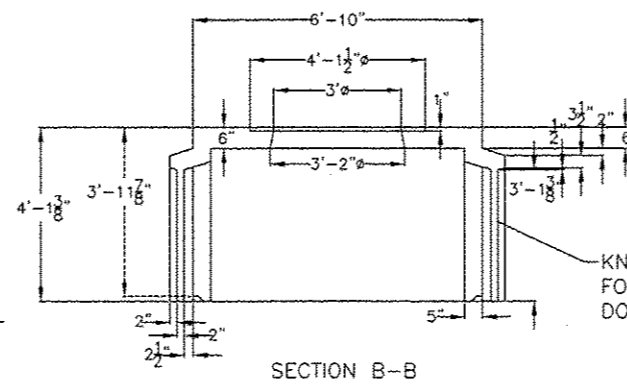
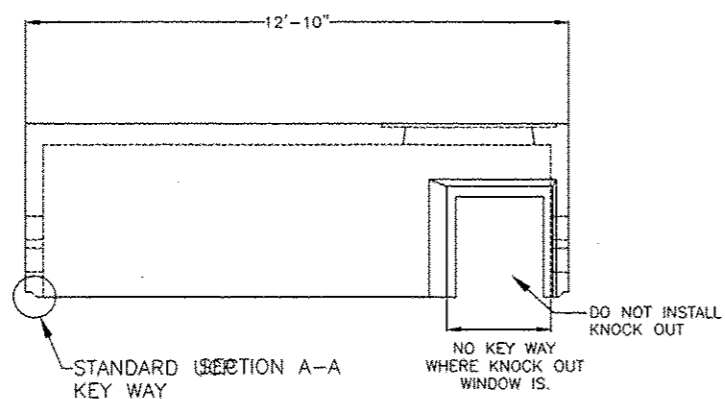
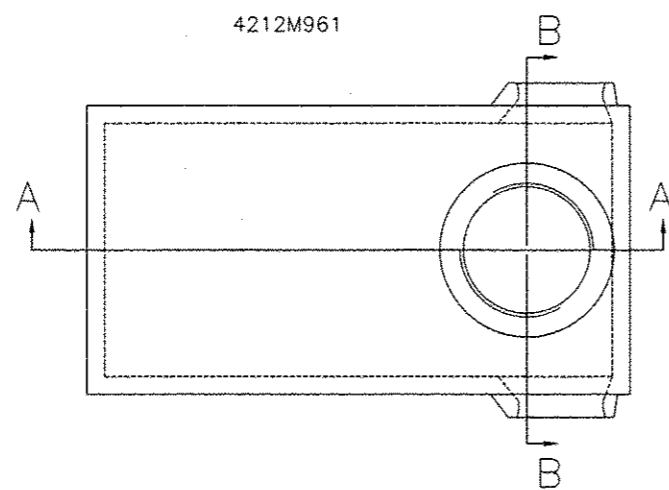
- 1) CONTRACTOR TO DIG DOWN AND EXPOSE TOP SECTION OF MANHOLE.
- 2) CUT OUT CONDUITS FROM EXISTING KNOCK OUT WINDOWS, AND REMOVE KEY WAY FROM UNDER KNOCK WINDOW OF TOP SECTION.

BEFORE
4212M961

AFTER
4212M961



4212M961



KNOCK OUT WINDOW SHOWN FOR ACCURACY. DO NOT INSTALL.

| | | | | | | | | | | |
|---------------------|-----|--------------|---------|--------------------------------|----------------------------|-----------------------|-----------|-------------------|--|--|
| PROJECT TITLE | | | | | ROUTE 59 ROAD IMPROVEMENTS | | | | | |
| PROJECT DESCRIPTION | | | | | DETAILS AND STANDARDS | | | | | |
| ENGINEER | BCC | DRAWING DATE | 5-11-12 | JOB # | 4211,4212,4223 | SCALE | N.T.S. | | | |
| DESIGN BY | DL | DRAWN BY | PSM | REVISIONS DATE | | AT&T JUNK AGREEMENT # | PROJECT # | | | |
| | | | | | | N/A | EU-12 | | | |
| CHECKED BY | | APPROVED BY | | CAD FILE | 0060548001062.DWG | SHEET # | 62 OF 63 | | | |
| Naperville | | | | Department of Public Utilities | | | | Electric Division | | |
| | | | | | | | | WORK REQUEST # | | |
| | | | | | | | | 60468 | | |