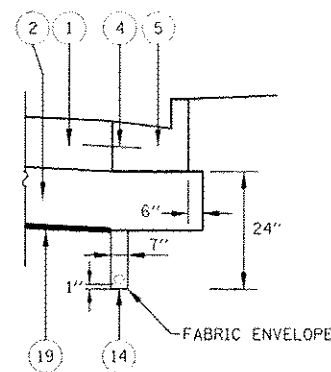


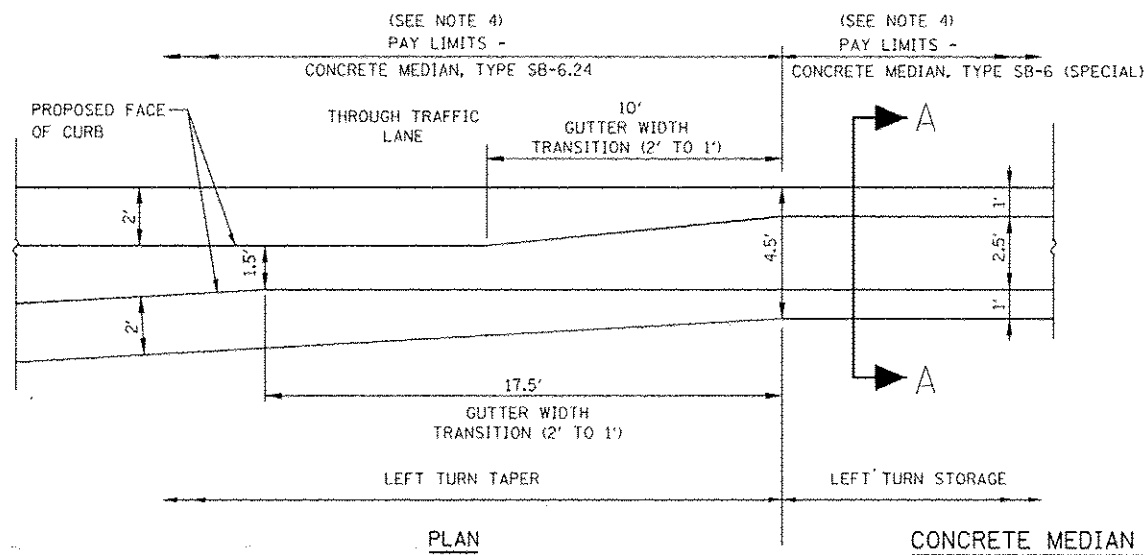
SLEEPER SLAB AT SIDEROADS AND COMMERCIAL ENTRANCE INTERSECTIONS



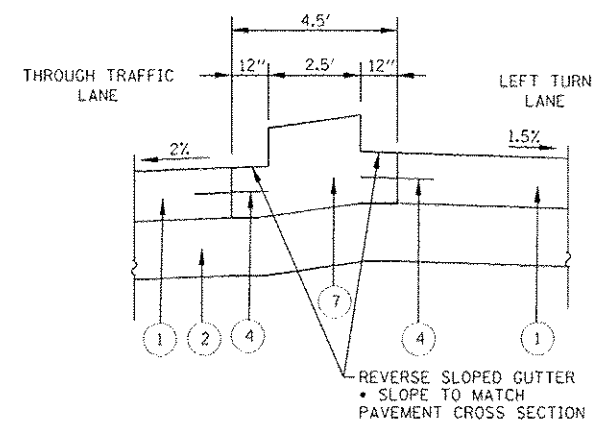
PIPE UNDERDRAIN, FABRIC LINED TRENCH 4"

PROPOSED LEGEND:

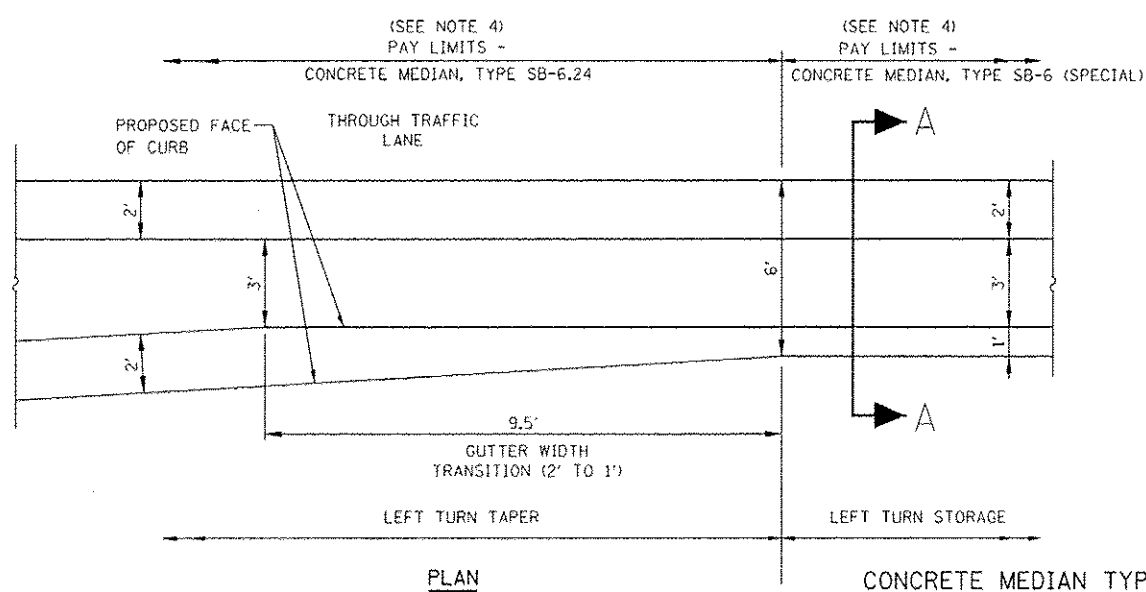
- 1 PORTLAND CEMENT CONCRETE PAVEMENT, 10 1/4" (JOINTED)
- 2 AGGREGATE SUBGRADE IMPROVEMENT 12"
- 3 LONGITUDINAL CONSTRUCTION JOINT GROUTED IN PLACE, NO. 6 TIE BAR AT 24" LONG, DEFORMED (EPOXY COATED) AT 24" CTS. (INCLUDED IN THE COST OF THE PROPOSED PAVEMENT)
- 4 NO. 6 TIE BAR AT 24" LONG, DEFORMED (EPOXY COATED) AT 24" CTS. (INCLUDED IN THE COST OF THE PROPOSED CURB AND GUTTER)
- 5 COMBINATION CONCRETE CURB & GUTTER, TYPE B-6.24
- 6 COMBINATION CONCRETE CURB & GUTTER, TYPE B-6.12
- 7 CONCRETE MEDIAN TYPE SB-6 (SPECIAL)
- 8 TOPSOIL 6" (TOPSOIL EXCAVATION AND PLACEMENT)
- 9 TOPSOIL 12" (TOPSOIL EXCAVATION AND PLACEMENT)
- 10 SODDING, SALT TOLERANT OR SEEDING (AS NOTED ON LANDSCAPE PLAN)
- 11 SIDEWALK, PORTLAND CEMENT CONCRETE SIDEWALK, 5"
- 12 SHARED USE PATH, PORTLAND CEMENT CONCRETE SIDEWALK, 5"
- 13 SUB-BASE GRANULAR MATERIAL, TYPE B, 4"
- 14 PIPE UNDERDRAINS, FABRIC LINED TRENCH, 4"
- 15 CONCRETE GUTTER, TYPE B
- 16 CONCRETE BARRIER WALL (SPECIAL)
- 17 RETAINING WALL (ADVANCED CONTRACT BY OTHERS)
- 18 RETAINING WALL
- 19 GEOTECHNICAL FABRIC FOR GROUND STABILIZATION
- 20 COMBINATION CONCRETE CURB & GUTTER, TYPE B-6.12 (VARIABLE CURB WIDTH)
- 21 CONCRETE BARRIER BASE
- 22 PARAPET RAILING
- 23 HOT-MIX ASPHALT STABILIZATION, 5"
- 24 SLEEPER SLAB
- 25 STEEL PLATE BEAM GUARDRAIL, TYPE A, 6 FOOT POSTS
- 26 NOISE ABATEMENT WALL, GROUND MOUNTED
- 27 CONCRETE CURB, TYPE B
- 28 CHAIN LINK FENCE, 4"



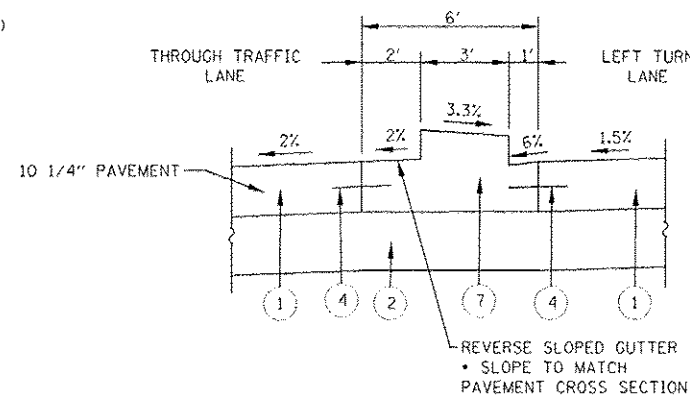
CONCRETE MEDIAN TYPE SB-6 (SPECIAL) AT SINGLE LEFT TURN LANE



SECTION A-A



CONCRETE MEDIAN TYPE SB-6 (SPECIAL) AT DOUBLE LEFT TURN LANE



SECTION A-A

NOTES

- 1. SEE PLAN AND PROFILE SHEETS FOR LOCATIONS OF CONCRETE MEDIAN TYPE SB-6 (SPECIAL)
- 2. CONCRETE MEDIAN TYPE SB-6.24 & CONCRETE MEDIAN TYPE SB-6 (SPECIAL), SHALL BE POURED MONOLITHICALLY.
- 3. SEE INTERSECTION DETAILS AND DRIVEWAY DETAILS FOR PAVEMENT GRADES INFORMATION.

DESIGNED <i>PJO</i>	REVISED - ADDENDUM A 02/20/2013	STATE OF ILLINOIS DEPARTMENT OF TRANSPORTATION	TYPICAL SECTION DETAILS		F.A.P. RTE.	SECTION	COUNTY	TOTAL SHEETS	SHEET NO.		
DRAWN <i>KES</i>	REVISED -		SCALE: NONE	SHEET NO. 3 OF 3 SHEETS	STA.	TO STA.	338	(112 & 113) WRS-7	DUPAGE	1156	67
CHECKED <i>JCM</i>	REVISED -						CONTRACT NO. 60R30				
DATE <i>12/14/2012</i>	REVISED -						ILLINOIS FED. AID PROJECT				