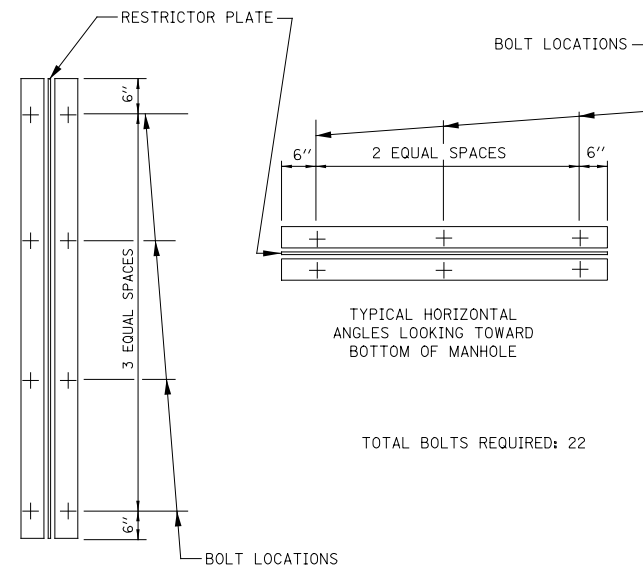
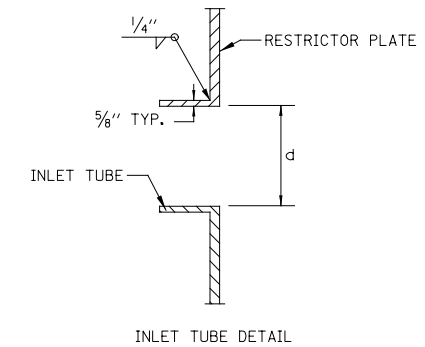


NOTES:

1. ANGLES SHOULD BE 3"x3"x3/8"
2. VERTICAL ANGLES SHOULD EXTEND FROM THE BOTTOM OF THE RESTRICTOR PLATE TO THE TOP.
3. HORIZONTAL ANGLES SHOULD EXTEND FROM VERTICAL ANGLE TO VERTICAL ANGLE.
4. ALL STEEL ANGLES AND PLATES TO BE GALVANIZED AFTER FABRICATION.
5. BASIS OF PAYMENT: "MANHOLES, WITH RESTRICTOR PLATE" WILL BE PAID FOR AS EACH. THE PAY ITEM SHALL INCLUDE THE CONCRETE MANHOLE, THE FRAMES AND LIDS, THE RESTRICTOR PLATE AND ALL ANGLES AND HARDWARE SHOWN IN THIS DRAWING.



1	2	3	4	5	6
RE-ENTRANT TUBE	SHARP EDGES	SQUARE EDGED	RE-ENTRANT TUBE	SQUARE EDGED	ROUNDED
LENGTH: 1/2 TO 1 DIA.		LENGTH: 1 TO 2 DIA.	LENGTH: 2-1/2 DIA.	LENGTH: 2-1/2 DIA.	
C=.52	C=.61	C=.61	C=.73	C=.82	C=.98

VALUES OF "C" FOR CIRCULAR AND SQUARE ORIFICES

STR NO.*	PAY ITEM	MANHOLE DIAMETER	FRAME AND LID	RESTRICTOR TYPE	RESTRICTOR DIAMETER (d)	INVERT OF RESTRICTOR	ELEVATION OF TOP OF PLATE OVERFLOW
275A	MANHOLE WITH RESTRICTOR PLATE	9'	T1-OL	2	19.0"	688.03	693.54
362	MANHOLE WITH RESTRICTOR PLATE	8'	T1-OL	2	19.0"	688.31	692.25
342A**	MANHOLE WITH RESTRICTOR PLATE	9'	T1-OL	2	14.0"	693.16	700.91
485	MANHOLES, TY A, 6'-DIA.W/ 2 TY1 FR, OPEN LIDS, RESTRICTOR PLATE	6'	T1-OL	2	21.5"	691.52	696.27
781	MANHOLE WITH RESTRICTOR PLATE	8'	T1-OL	2	27.0"	694.62	700.89

* REFER TO PROPOSED STRUCTURE SCHEDULE FOR STRUCTURE STATION, OFFSET, RIM ELEVATION, AND INVERTS.

** REMOVAL OF EXISTING STORM SEWER FOR RESTRICTOR MANHOLE PLACEMENT TO BE INCLUDED IN THE COST OF "MANHOLE WITH RESTRICTOR PLATE"

DESIGNED	PJO	REVISED	- 06/20/2012
DRAWN	KES	REVISED	-
CHECKED	JCM	REVISED	-
DATE	12/14/2012	REVISED	-

STATE OF ILLINOIS
DEPARTMENT OF TRANSPORTATION

DRAINAGE DETAILS
MANHOLES, WITH RESTRICTOR PLATE

SCALE: AS SHOWN SHEET NO. 2 OF 2 SHEETS STA. TO STA.

F.A.P. RTE.	SECTION	COUNTY	TOTAL SHEETS	SHEET NO.
338	(112 & 113) WRS-7	DUPAGE	1156	501
DD-02		CONTRACT NO. 60R30		
ILLINOIS FED. AID PROJECT				