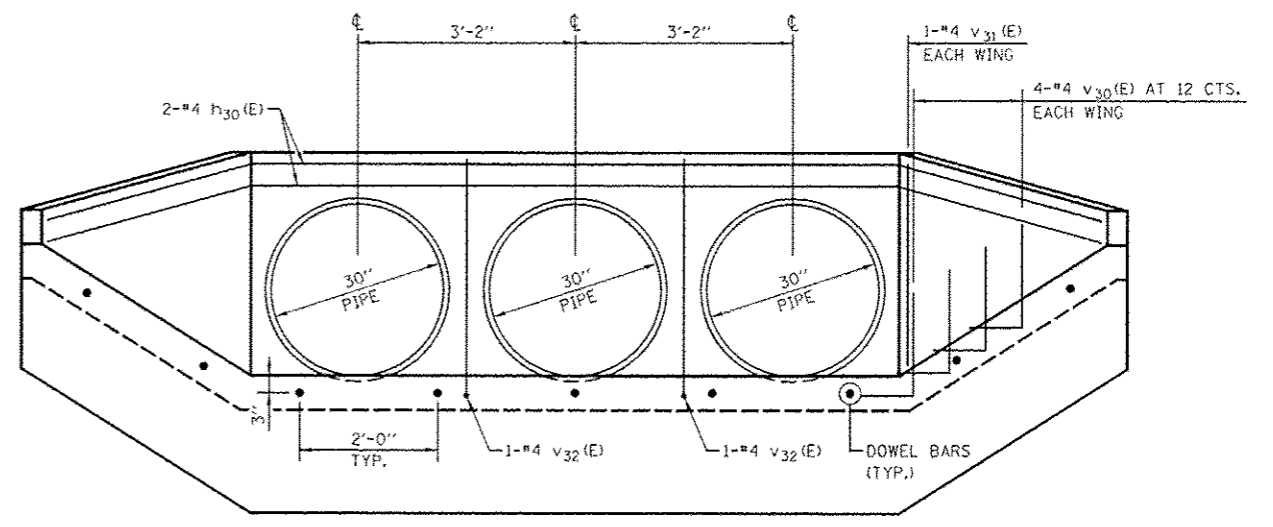


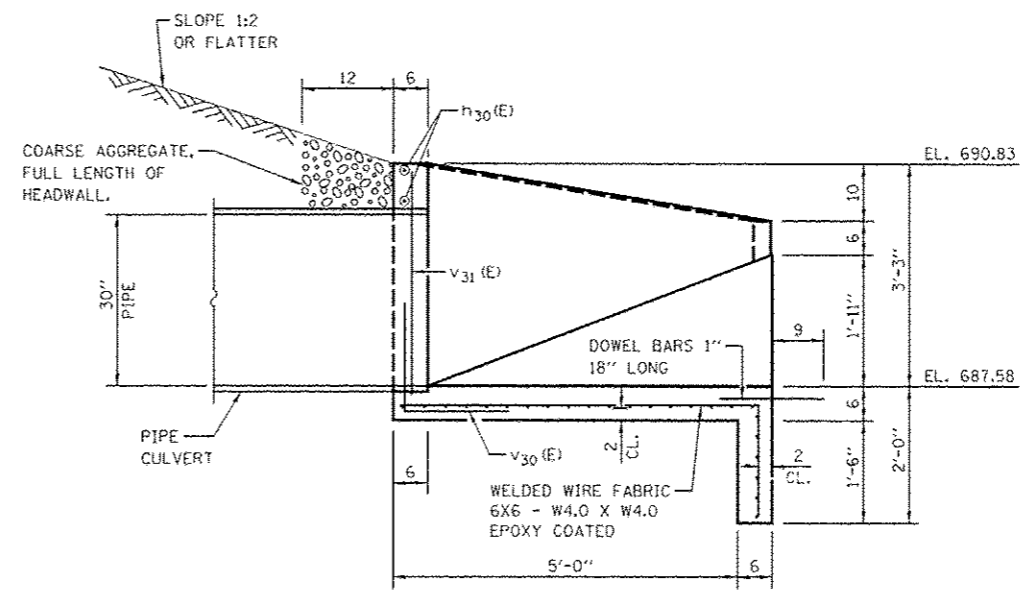
**CONCRETE APRON  
SPOT ELEVATIONS**

LOCATION	ELEVATION
(A)	687.58
(B)	689.50

**PLAN**



**END VIEW**



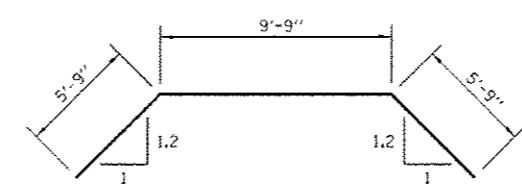
**SECTION A-A**

**BILL OF MATERIALS**

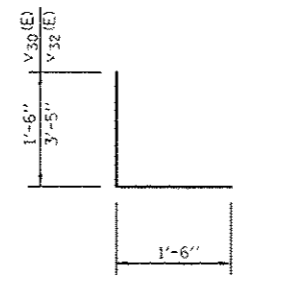
BAR	NO.	SIZE	LENGTH	SHAPE
h <sub>30</sub> (E)	1	#4	21'-3"	∩
v <sub>30</sub> (E)	8	#4	3'-0"	L
v <sub>31</sub> (E)	2	#4	2'-11"	—
v <sub>32</sub> (E)	2	#4	4'-11"	L
DOWEL BARS 1"			EACH	9
CONCRETE STRUCTURES			CU YD	3.0
REINFORCEMENT BARS, EPOXY COATED			POUND	60
WELDED WIRE FABRIC 6X6			SQ YD	11.0

**GENERAL NOTES**

SEE SHEET DP-08 FOR PIPE INVERT ELEVATIONS.  
ALL SLOPE RATIOS ARE EXPRESSED AS UNITS OF VERTICAL DISPLACEMENT TO UNITS OF HORIZONTAL DISPLACEMENT (V:H).  
ALL DIMENSIONS ARE IN INCHES UNLESS OTHERWISE SHOWN.



**BAR h<sub>30</sub>(E)**  
BEND IN FIELD



**BARS v<sub>30</sub>(E) & v<sub>32</sub>(E)**