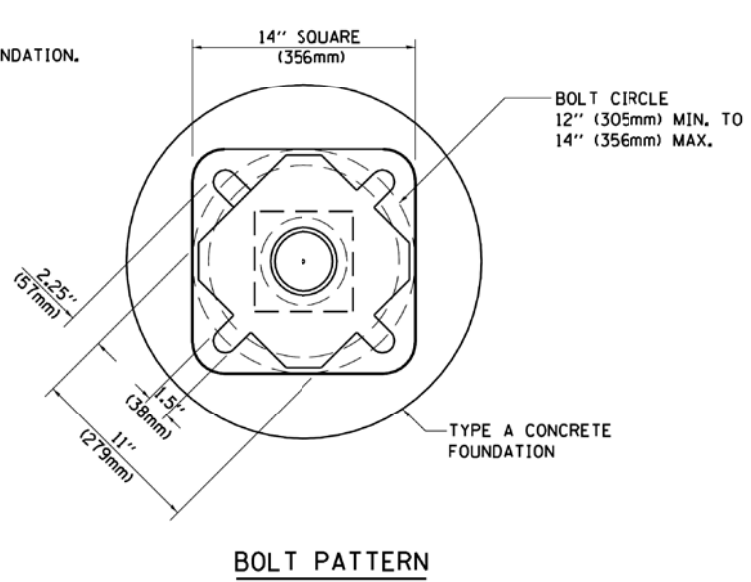


SIGN TABLE

SIGN	DIMENSIONS
R10-3b	9" (228mm) X 12" (305mm)
R10-3d	9" (228mm) X 12" (305mm)
R10-3e	9" (228mm) X 15" (381mm)



FILE NAME = K:\Projects\090059\Design\Sheet Files\DDT DETAIL.7.dgn	USER NAME = *USER*	DESIGNED - DW	REVISED -
		DRAWN - JDH	REVISED -
	PLOT SCALE = *SCALE*	CHECKED - KMM	REVISED -
	PLOT DATE = 12/6/2012	DATE -	REVISED -

**STATE OF ILLINOIS
 DEPARTMENT OF TRANSPORTATION**

DISTRICT ONE - PEDESTRIAN PUSH BUTTON POST, TYPE A

SCALE: N.T.S. SHEET NO. 1 OF 1 SHEETS STA. TO STA.

F.A. RTE.	SECTION	COUNTY	TOTAL SHEETS	SHEET NO.
338	(112 & 113) WRS-7	DUPAGE	1156	601
TS- 9			CONTRACT NO. 60R30	
ILLINOIS FED. AID PROJECT				