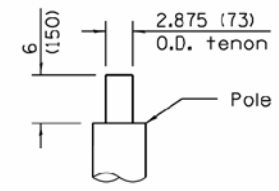
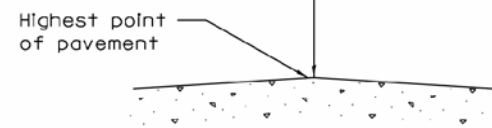
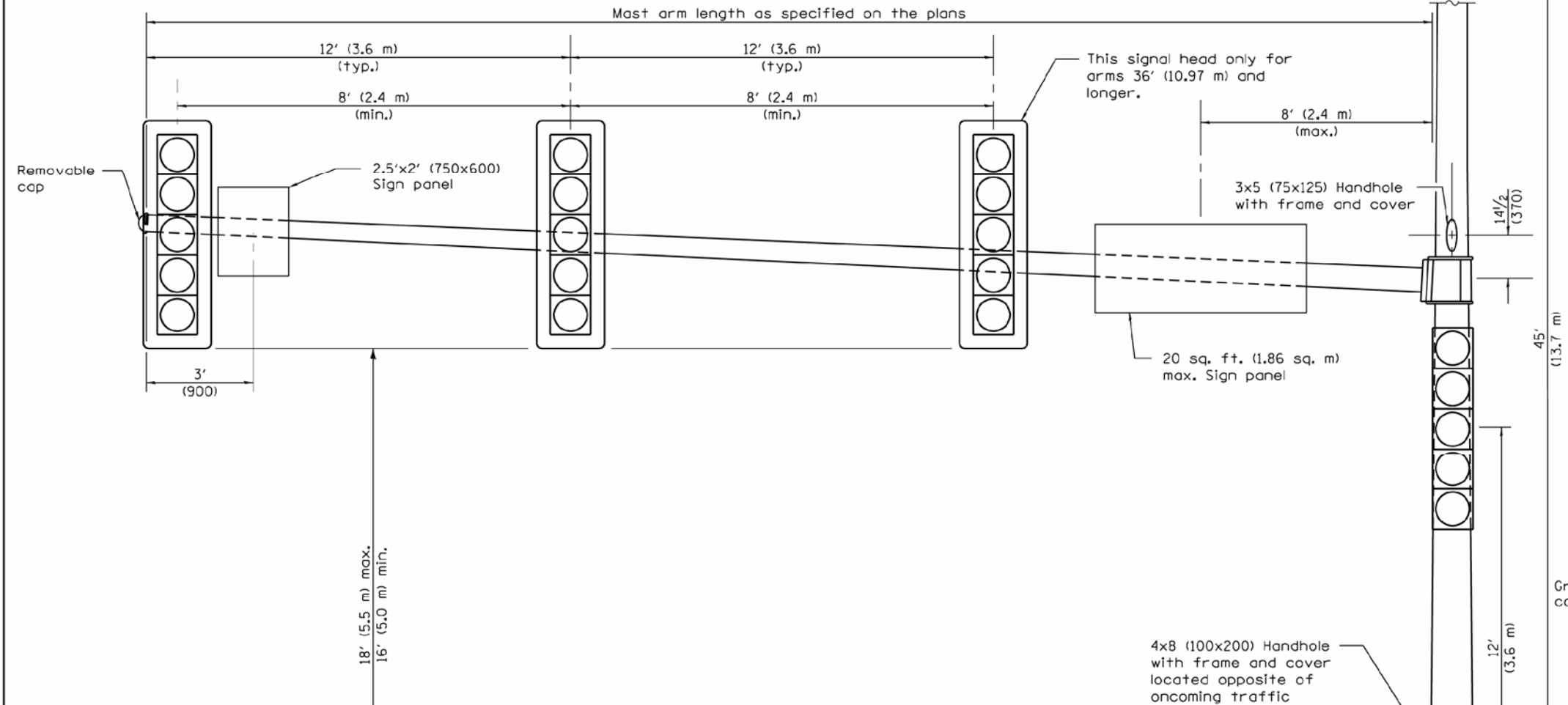
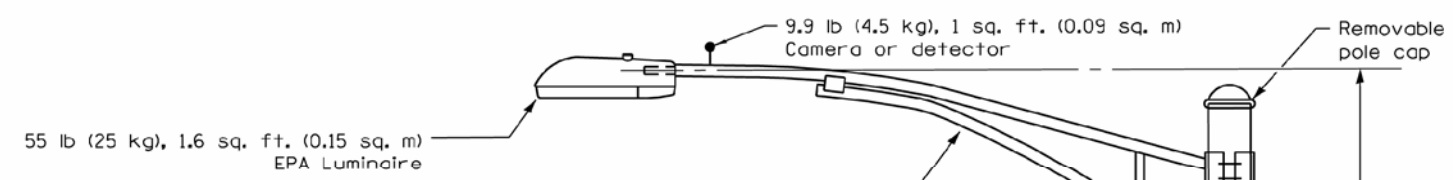


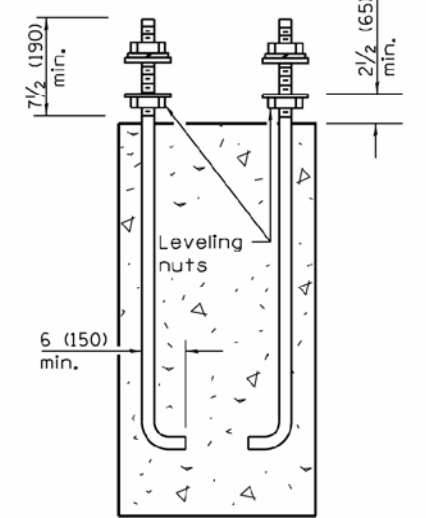
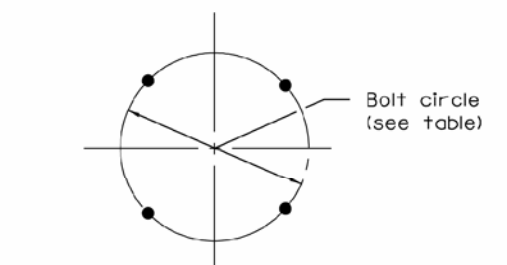
TENON TOP FOR VERTICAL MOUNTED LUMINAIRES



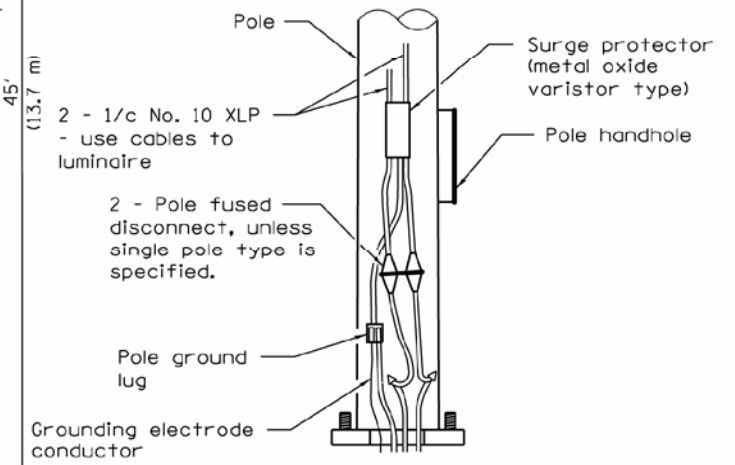
Note: The tenon top shall support a bullhorn fitting with two (twin) vertically mounted luminaires (clamp-mounted bullhorn assembly with removable pole cap acceptable). Each luminaire shall weigh 100 lb (45 kg) and have an effective projected (EPA) area of 3.85 sq. ft. (0.36 sq. m).



| MAST ARM LENGTH | BOLT CIRCLE | ANCHOR ROD SIZE |
|--|-------------|---------------------------|
| 16' thru 20' (4.87 m thru 6.10 m) | 15 (380) | 1/2 x 5' (38 x 1.5 m) |
| 22' thru 30' (6.71 m thru 9.14 m) | 18 (450) | 1/2 x 5' (38 x 1.5 m) |
| 32' thru 40' (9.75 m thru 12.20 m) | 18 (450) | 3/4 x 7' (44 x 2.10 m) |
| 42' thru 55' (12.80 m thru 16.80 m) | 21 (535) | 3/4 x 7' (44 x 2.10 m) |



ANCHOR ROD DETAIL



POLE BASE DETAIL

GENERAL NOTES

Signal heads, sign panels, and other attachments are shown for minimum design loading purposes only. Each signal head shall weigh 80 lb (36 kg) and have a projected area of 14.7 sq. ft. (1.37 sq. m).
All dimensions are in inches (millimeters) unless otherwise shown.

**STEEL COMB. MAST ARM
CCTV ASSEMBLY AND POLE
16' THROUGH 55'**

DISTRICT 1