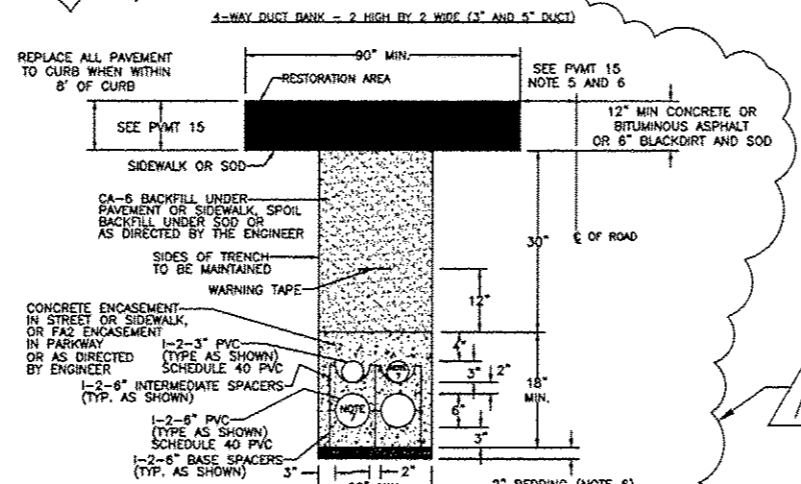
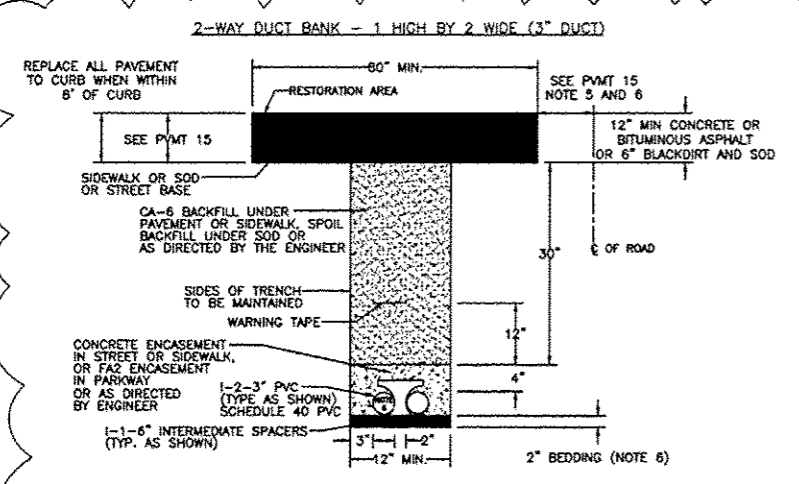
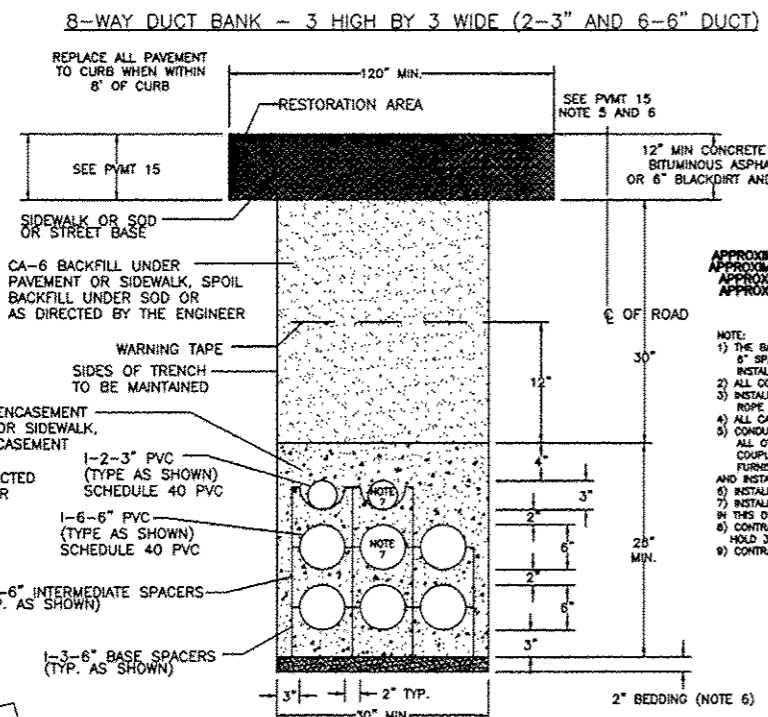


F.A.P. RTE.	SECTION	COUNTY	TOTAL SHEETS	SHEET NO.
338/IL 59	2011-036-1	DUPAGE		
FED. ROAD DIST. NO.		ILLINOIS	CONTRACT 60R30	
		FED. AID PROJECT		

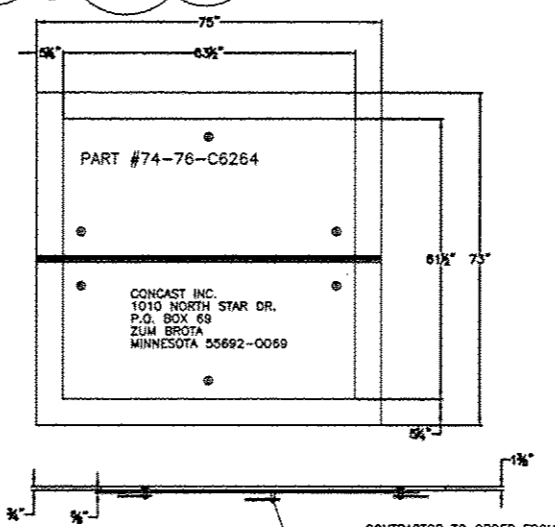


NOTE: ALL CONDUIT RUNS ARE ASSEMBLED IN FIELD.
 1) THE BASE AND INTERMEDIATE 6" SPACERS SHALL BE INSTALLED AT 5' CENTERS.
 2) ALL CONDUIT RUNS ARE ASSEMBLED IN FIELD.
 3) INSTALL 1/8" DIA. (PULLING) NYLON ROPE IN EACH DUCT.
 4) ALL CABLES BY OTHERS.
 5) CONDUIT AND SPACERS AND ALL OTHER MATERIALS INCLUDING GLUE, COUPLINGS AND MANHOLE ENTRANCES FURNISHED BY CITY OF NAPERVILLE AND INSTALLED BY CONTRACTOR.
 6) CONTRACTOR TO SUPPLY PLASTIC TIES TO HOLD 3", 5", AND 6" CONDUIT TO 6" SPACERS.
 7) CONTRACTOR TO INSTALL DUCT RUN PER C30-1900.

NOTE: ALL CONDUIT RUNS ARE ASSEMBLED IN FIELD.
 1) THE BASE AND INTERMEDIATE 6" SPACERS SHALL BE INSTALLED AT 5' CENTERS.
 2) ALL CONDUIT RUNS ARE ASSEMBLED IN FIELD.
 3) INSTALL 1/8" DIA. (PULLING) NYLON ROPE IN EACH DUCT.
 4) ALL CABLES BY OTHERS.
 5) CONDUIT AND SPACERS AND ALL OTHER MATERIALS INCLUDING GLUE, COUPLINGS AND MANHOLE ENTRANCES FURNISHED BY CITY OF NAPERVILLE AND INSTALLED BY CONTRACTOR.
 6) CONTRACTOR TO SUPPLY PLASTIC TIES TO HOLD 3", 5", AND 6" CONDUIT TO 6" SPACERS.
 7) CONTRACTOR TO INSTALL DUCT RUN PER C30-1900.

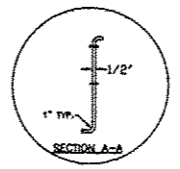
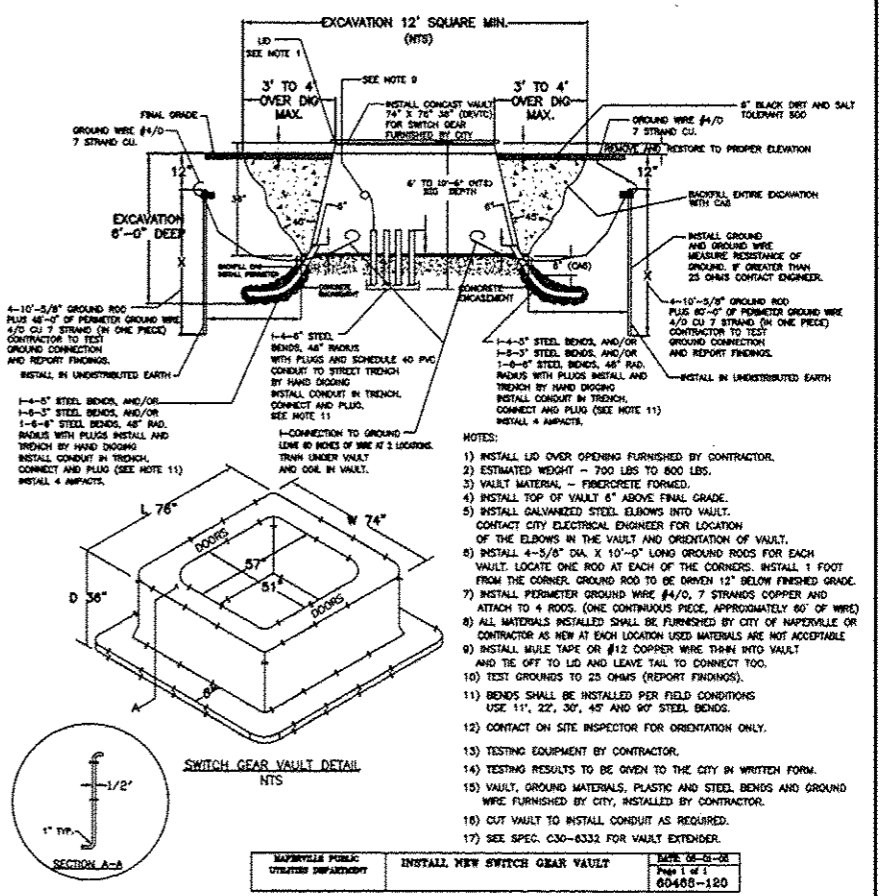


NOTE: ALL CONDUIT RUNS ARE ASSEMBLED IN FIELD.
 1) THE BASE AND INTERMEDIATE 6" SPACERS SHALL BE INSTALLED AT 5' CENTERS.
 2) ALL CONDUIT RUNS ARE ASSEMBLED IN FIELD.
 3) INSTALL 1/8" DIA. (PULLING) NYLON ROPE IN EACH DUCT.
 4) ALL CABLES BY OTHERS.
 5) CONDUIT AND SPACERS AND ALL OTHER MATERIALS INCLUDING GLUE, COUPLINGS AND MANHOLE ENTRANCES FURNISHED BY CITY OF NAPERVILLE AND INSTALLED BY CONTRACTOR.
 6) CONTRACTOR TO SUPPLY PLASTIC TIES TO HOLD 3", 5", AND 6" CONDUIT TO 6" SPACERS.
 7) CONTRACTOR TO INSTALL DUCT RUN PER C30-1900.



MATERIAL: FIBERCRETE (REQUIRED - 10)
 NOTE:
 1) INSTALL THIS COVER OVER SWITCH GEAR VAULT UNTIL SWITCH IS INSTALLED.
 2) RETURN COVER TO CITY OF NAPERVILLE'S STOCK ROOM.
 3) CONTRACTOR TO FURNISH LID.

NAPERVILLE PUBLIC UTILITIES DEPARTMENT	SWITCH GEAR VAULT COVER (60 LBS.) (CONSTRUCTION SPECIFICATION)	DATE 08-01-08 Page 1 of 1 00468-110
--	--	-------------------------------------



NAPERVILLE PUBLIC UTILITIES DEPARTMENT	INSTALL NEW SWITCH GEAR VAULT	DATE 08-01-08 Page 1 of 1 00468-120
--	-------------------------------	-------------------------------------

ADDENDUM - A 02-20-2013

PROJECT TITLE				ROUTE 59 ROAD IMPROVEMENTS			
PROJECT DESCRIPTION				DETAILS AND STANDARDS			
ENGINEER	DATE	APP #	SCALE	DESIGNED BY	DATE	APP #	PROJECT #
BCC	8-04-12	4211.4224	N.T.S.	DL	PSM	N/A	EU-12
CHECKED BY	APPROVED BY	CAD FILE	SHEET #				
		006112300107.DWG	7 OF 40				
Naperville			Department of Public Utilities Electric Division			WORK REQUEST #	
			CONTRACT 60R30			61123	