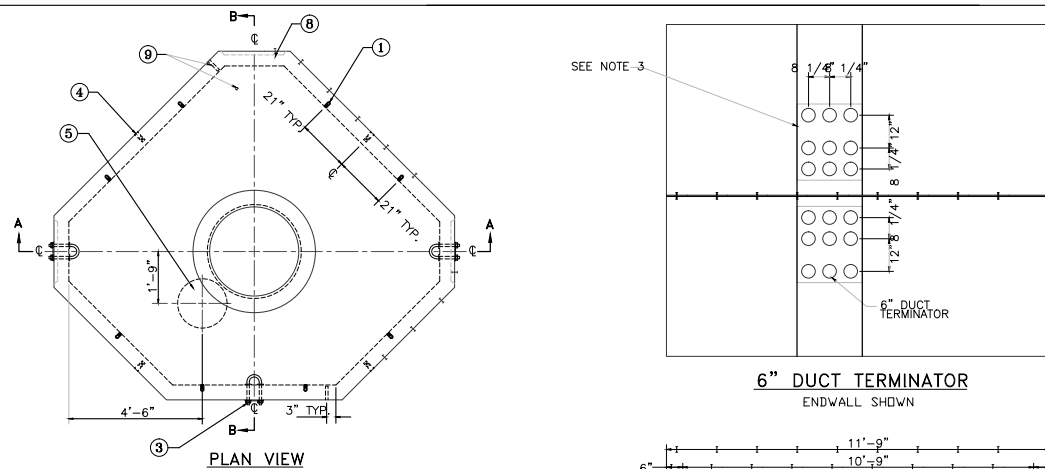
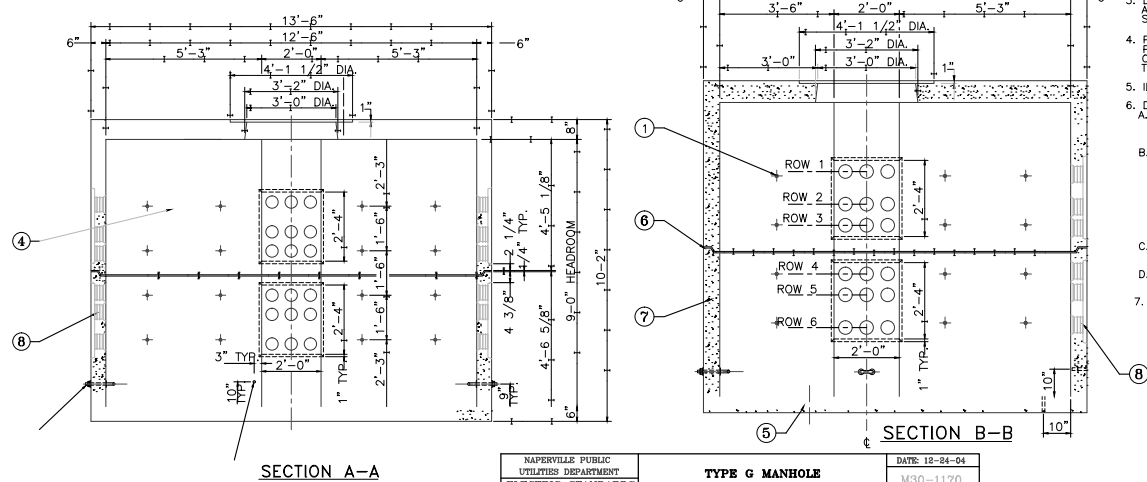


F.A.P. RTE.	SECTION	COUNTY	TOTAL SHEETS	SHEET NO.
338/IL 59	2011-035	DUPAGE		
FED.ROAD.DIST.NO.		ILLINOIS	CONTRACT 60P42 FED. AID PROJECT	



ITEM	DESCRIPTION	QTY	NOTE
	TOTAL MANHOLE WEIGHT	4500	46,000 LBS.
	TOP SECTION WEIGHT	P.S.I.	24,000 LBS.
	BASE SECTION WEIGHT	CONC.	22,000 LBS.
1	REBAR, EPOXY COATED	1	2
2	1" x 5 1/2" GROUND WIRE HOLE	4	
3	1/2" KNOCK-OUT	1	
4	6" DUCT TERMINATORS	54	3
5	1" BUTYL RUBBER JOINT SEALANT	4 ROLLS	
6	1BT SUMP DEPRESSION	1	
7	6" LIFTING ANCHORS	8	
8	1" S.S. PULLING IRONS	5	4
9	CABLE RACK INSERTS: 1/2" 304 STAINLESS STEEL THREADED INSERTS EACH WITH 1/2" x 2" 304 S.S. HEX HEAD BOLT, 1/2" S.S. WASHER, AND 1/2" PVC WASHER	32	

- NOTES:
- CONCRETE: 4500 psi @ 28 DAYS, 5%-8% ENTRAINED AIR, 4" MAX. SLUMP.
 - REBAR: ASTM A-615 GRD. 60, EPOXY COATED.
 - DUCT ENTRANCE: SINGLE DUCT TERMINATORS TO ACCEPT 6" DIAMETER SCH. 40 PVC CONDUIT. SEE DETAIL THIS SHEET.
 - PLEASE NOTE PULLING IRON DESIGNED AS PER ACI 318 FOR WORKING LOAD CAPACITY OF 28,000 POUNDS APPLIED COINCIDENT TO THE MAJOR AXIS OF THE PULLING IRON.
 - IDENTIFICATION: IMPRESSED INTO CEILING OF VAULT.
 - DESIGN CRITERIA:
 - A) DESIGNED AND BUILT IN ACCORDANCE WITH ASTM C858 STANDARD SPECIFICATION FOR UNDERGROUND PRECAST CONCRETE UTILITY STRUCTURES.
 - B) ALL LOADING AS PER ASTM C857 "MINIMUM STRUCTURAL DESIGN LOADING FOR UNDERGROUND PRECAST CONCRETE UTILITY STRUCTURES" INCLUDING:
 - EARTH COVER: MIN. 2'-0", MAX. 5'-0"
 - AASHTO HS-20 WHEEL LOAD AND APPLICABLE IMPACT.
 - VERTICAL AND LATERAL SOIL PRESSURES DETERMINED USING A SOIL DENSITY OF 120 PCF.
 - GROUNDWATER AT 3'-0" BELOW GRADE.
 - C) STRUCTURAL DESIGN PERFORMED USING AASHTO STRENGTH DESIGN METHOD.
 - D) REINFORCING COVER REQUIREMENTS AS PER ACI 318.
 - SEE SPECIFICATION C30-1900 FOR ROW IDENTIFICATION WITH CONDUIT.



NAPERVILLE PUBLIC UTILITIES DEPARTMENT
ELECTRIC STANDARDS

DATE: 12-24-04
M30-1170

PROJECT TITLE				ROUTE 59 ROAD IMPROVEMENTS			
PROJECT DESCRIPTION				DETAILS AND STANDARDS			
ENGINEER	DRAFTING DATE	MAP #	SCALE				
BCC	8-04-12	4211,4224	N.T.S.				
GIS DESIGN BY	DRAFTED BY	REVISIONS DATE	AT&T JOINT AGREEMENT #	PROJECT #			
DL	PSM		N/A	EU-12			
CHECKED BY	APPROVED BY	CAD FILE	SHEET #				
		0061123001D9.DWG	9 OF 40				
Naperville			Department of Public Utilities Electric Division			WORK REQUEST # 61123	