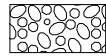


LEGEND

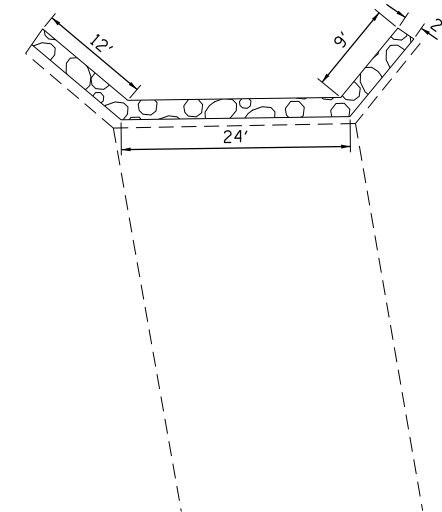
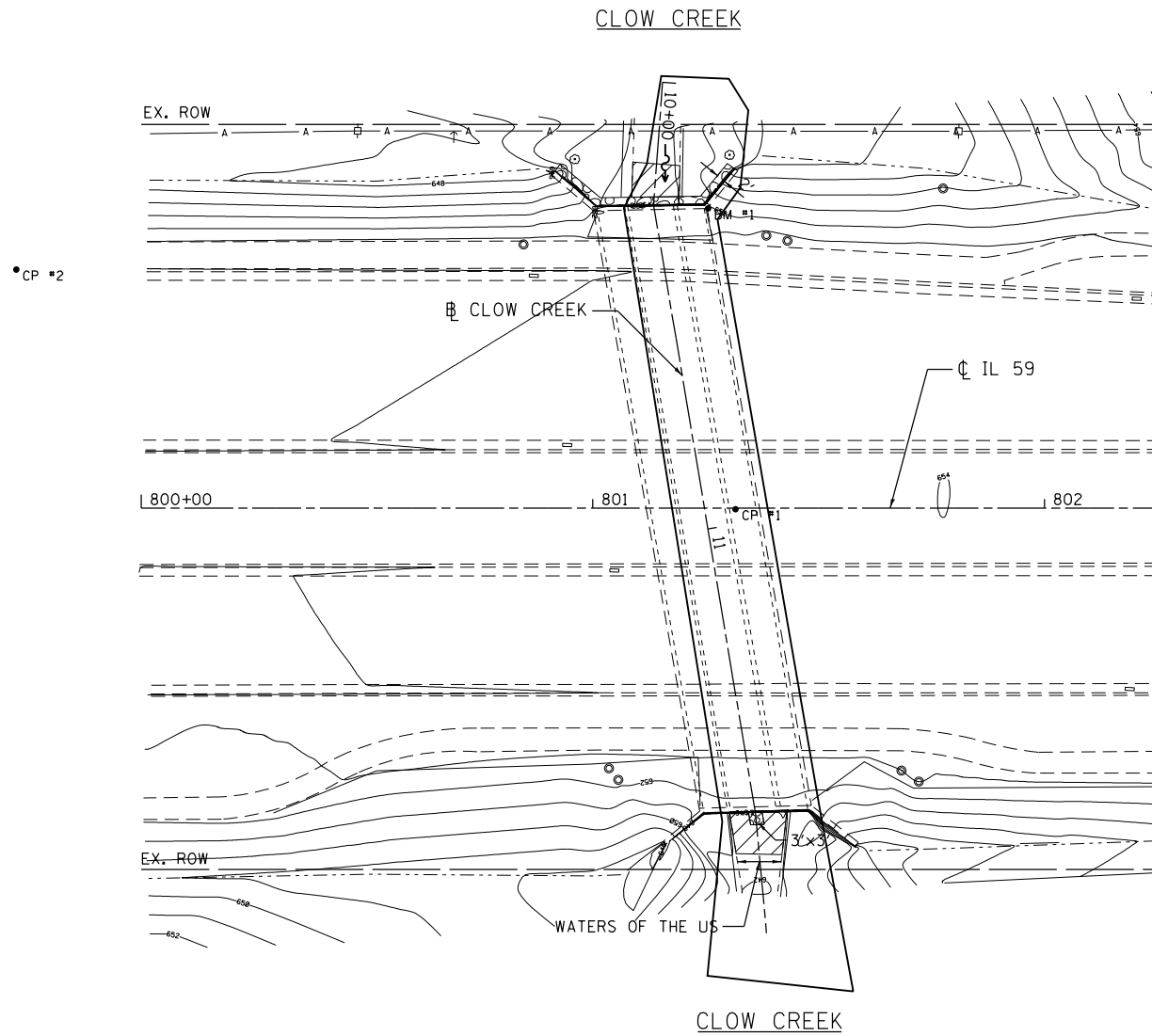


PERMANENT IMPACTS TO THE WATERS OF THE U.S. = 0.0022 ACRES
STONE RIPRAP, CLASS A4 (2' THICK) - 6 TONS



TEMPORARY IMPACTS TO THE WATERS OF THE U.S. = 0.0037 ACRES

- CP 1 - SET REBAR IN GRASS MEDIAN OF IL 59
- CP 2 - SET "X" IN TOP OF CURB ON THE WEST SIDE OF IL 59
ELEV. = 653.06
- CP 3 - CUT "□" IN NW CORNER HEADWALL
ELEV. = 652.18



3/12/2013 11:24:39 AM



USER NAME = 1485	DESIGNED -	REVISED -
	DRAWN -	REVISED -
PLOT SCALE = 40.0000' / in.	CHECKED -	REVISED -
PLOT DATE = 3/12/2013	DATE - 03/20/2013	REVISED -

**STATE OF ILLINOIS
DEPARTMENT OF TRANSPORTATION**

**COOK & WILL COUNTY RIP RAP IMPROVEMENTS
SN 099-2001 IL 59 OVER CLOW CREEK - EROSION PLAN**

SCALE: 1"=20' SHEET 2 OF 2 SHEETS STA. TO STA.

F.A. RTE.	SECTION	COUNTY	TOTAL SHEETS	SHEET NO.
*	2012-007 I	COOK/WILL	38	30
* VARIOUS ROUTES			CONTRACT NO. 60T53	
ILLINOIS FED. AID PROJECT				