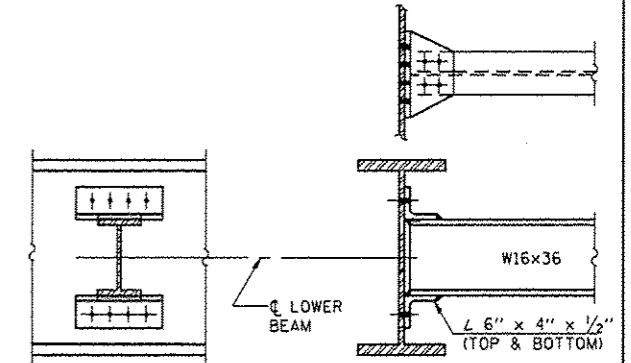
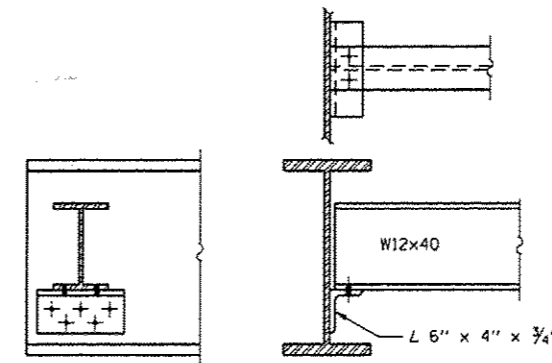
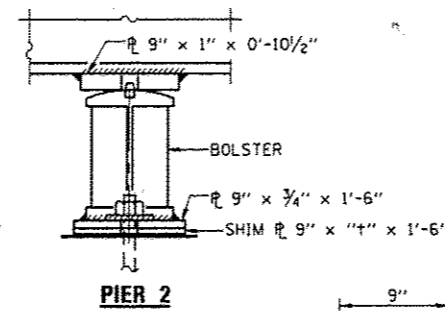
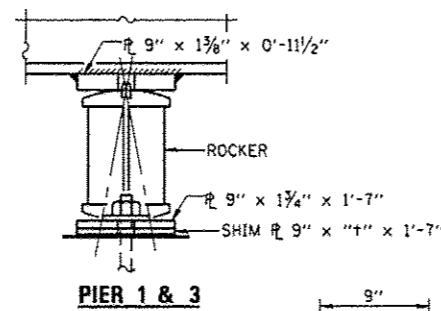
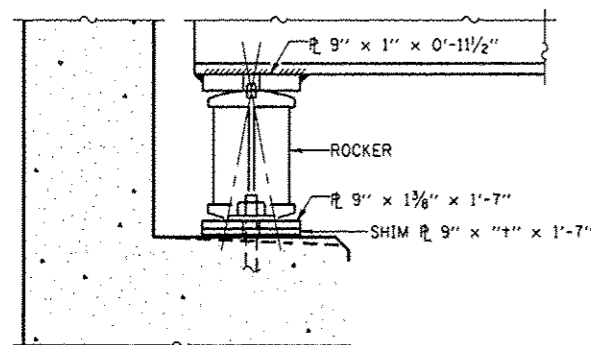


**FRAMING PLAN**

ALL BEAMS 30WF116



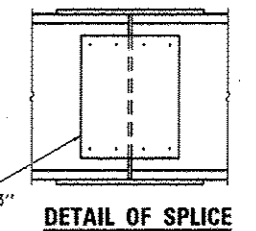
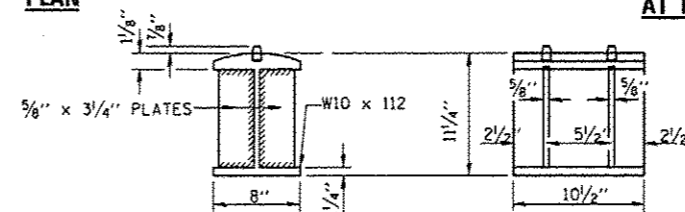
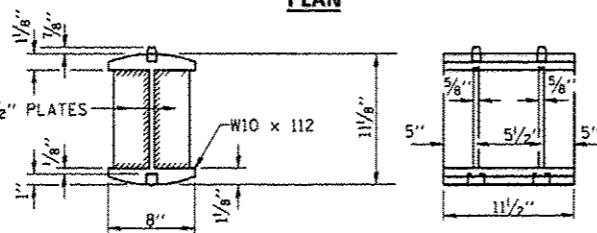
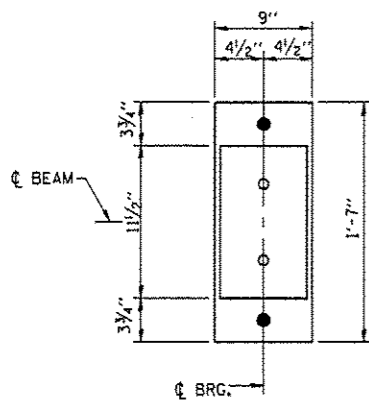
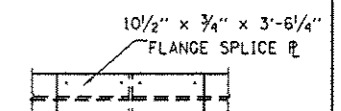
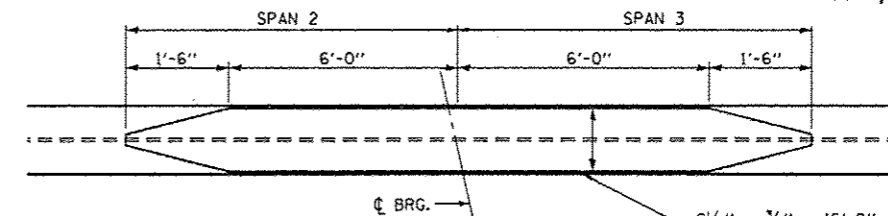
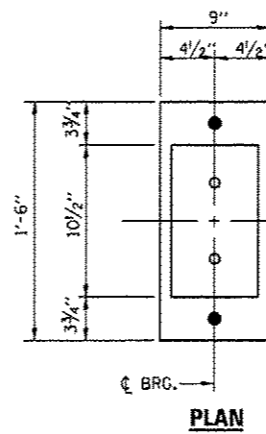
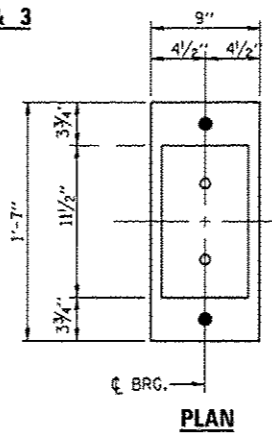
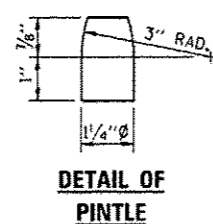
SECTION AT ABUTMENT

PIER 1 & 3

PIER 2

DIAPHRAGMS D

DIAPHRAGMS D1 & D2



DETAIL OF COVER PLATES AT PIER 2

DETAIL OF ROCKER AT ABUTS, PIERS 1 & 3

DETAIL OF BOLSTER AT PIER 2

**"FOR INFORMATION ONLY"**

FILE NAME =	USER NAME = gpurlockd	DESIGNED - OBS	REVISED -
c:\pwwork\purdap\gpurlockd\03035437\03	6C88-hst-details.dgn	DRAWN - OBS	REVISED -
PLOT SCALE = 100.0000 1/1 in.		CHECKED -	REVISED -
Default	PLOT DATE = 3/26/2013	DATE - MAR 2013	REVISED -

STATE OF ILLINOIS  
DEPARTMENT OF TRANSPORTATION

STRUCTURAL STEEL DETAILS  
FOR STRUCTURE NO. 006-0127

F.A.I. RTE.	SECTION	COUNTY	TOTAL SHEETS	SHEET NO.
80	106-6HB-18BP	BUREAU	9	8
			CONTRACT NO. 66C88	
ILLINOIS FED. AID PROJECT				

SCALE: NONE SHEET 1 OF 1 SHEETS STA. TO STA.