

05-24-13 SPECIAL LETTING ITEM 022

STATE OF ILLINOIS
 DEPARTMENT OF TRANSPORTATION
 DIVISION OF HIGHWAYS
**PROPOSED
 HIGHWAY PLANS**

F.A.I. ROUTE 80 (I-80)
 SECTION (06-6HB-1)BP

CLEANING AND PAINTING STRUCTURAL STEEL
 STRUCTURE NO. 006-0127
 BUREAU COUNTY

C-93-083-13

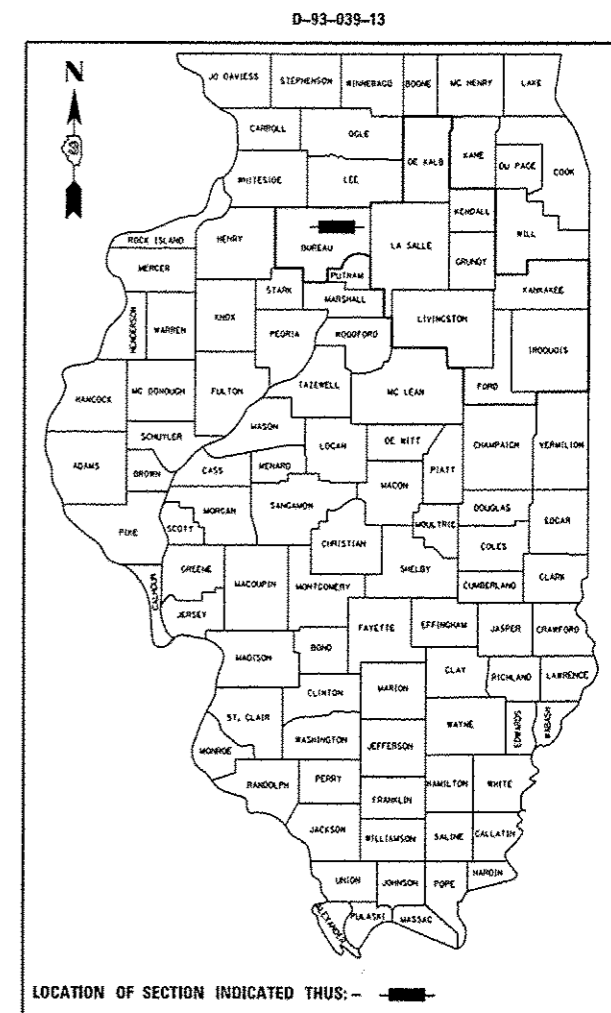
F.A.I. RTE.	SECTION	COUNTY	TOTAL SHEETS	SHEET NO.
80	(06-6HB-1)BP	BUREAU	9	1
		ILLINOIS	CONTRACT NO. 66C88	

INDEX OF SHEETS

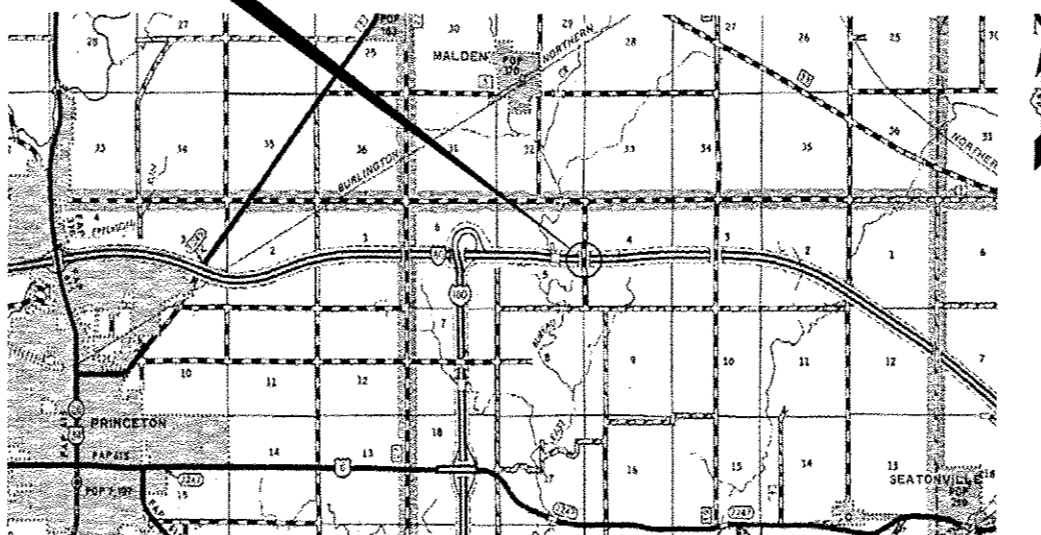
- 1 COVER SHEET
- 2 GENERAL NOTES
- 3 SUMMARY OF QUANTITIES
- 4 TYPICAL SECTIONS
- 5 TRAFFIC CONTROL AND PROTECTION STANDARD 701400 (SPECIAL)
- 6 TRAFFIC CONTROL AND PROTECTION STANDARD 701402 (SPECIAL)
- 7-9 EXISTING STRUCTURE PLANS

STANDARDS

- 000001-06 STANDARD SYMBOLS, ABBREVIATIONS AND PATTERNS
- 001006 DECIMAL OF AN INCH AND OF A FOOT
- 635011-02 REFLECTOR MARKER AND MOUNTING DETAILS
- 701001-02 OFF-ROAD OPERATIONS, 2L, 2W, MORE THAN 15' (4.5m) AWAY
- 701006-04 OFF-ROAD OPERATIONS 2L, 2W, 15' (4.5m) TO 24' (600m) FROM PAVEMENT EDGE
- 701101-03 OFF-ROAD OPERATIONS MULTILANE, 15' (4.5m) TO 24' (600m) FROM PAVEMENT EDGE
- 701106-02 OFF-ROAD OPERATIONS, MULTILANE, MORE THAN 15' (4.5m) AWAY
- 701201-04 LANE CLOSURE, 2L, 2W, DAY ONLY, FOR SPEEDS ≥ 45 MPH
- 701426-05 LANE CLOSURE, MULTILANE INTERMITTENT OR MOVING OPERATION, FOR SPEEDS ≥ 45 MPH
- 701901-02 TRAFFIC CONTROL DEVICES
- 704001-07 TEMPORARY CONCRETE BARRIER
- 780001-03 TYPICAL PAVEMENT MARKINGS

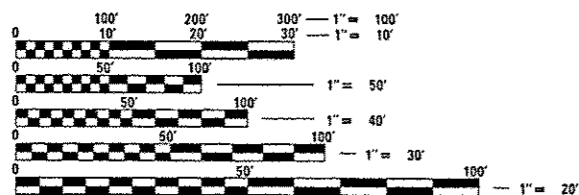


PROJECT LOCATION
 SN. 006-0127
 CARRYING TR 322
 OVER F.A.I 80 (I-80)
 STA. 1451 + 52.41



LOCATION MAP
 NOT TO SCALE

GROSS LENGTH = 217.50 FT. = 0.041 MILE
 NET LENGTH = 217.50 FT. = 0.041 MILE



FULL SIZE PLANS HAVE BEEN PREPARED USING STANDARD ENGINEERING SCALES. REDUCED SIZED PLANS WILL NOT CONFORM TO STANDARD SCALES. IN MAKING MEASUREMENTS ON REDUCED PLANS, THE ABOVE SCALES MAY BE USED.

J.U.L.I.E.
 JOINT UTILITY LOCATION INFORMATION FOR EXCAVATION
 1-800-892-0123
 OR 811

DISTRICT 3 NO. (815) 434-6131
 PROJECT ENGINEER: JOE KANNEL, P.E.
 UNIT CHIEF: RON WOODSHANK
 TOWNSHIP: SELBY
 CONTRACT NO. 66C88

FUNCTIONAL CLASSIFICATION
 RURAL INTERSTATE
 FAI ROUTE 80 (I-80)
 2011 ADT = 19600
 P.V. = 56.88% M.U. = 39.80% S.U. = 3.32%

STATE OF ILLINOIS
 DEPARTMENT OF TRANSPORTATION
 DIVISION OF HIGHWAYS

SUBMITTED *03/29/13*
Paul A. Calton
 DEPUTY DIRECTOR OF HIGHWAYS, REGION ENGINEER

April 26 2013
John D. Baranzelli, P.E.
 ENGINEER OF DESIGN AND ENVIRONMENT

April 26 2013
Cher Osman, P.E.
 DIRECTOR OF HIGHWAYS, CHIEF ENGINEER

**PRINTED BY THE AUTHORITY
 OF THE STATE OF ILLINOIS**

GENERAL NOTES

THE CONTRACTOR SHALL NOT CLOSE A LANE IN THE EASTBOUND AND WESTBOUND TRAFFIC LANES AT THE SAME TIME UNLESS APPROVED IN WRITING BY THE ENGINEER.

AS PER ARTICLE 107.20 OF THE STANDARD SPECIFICATIONS WHENEVER PUBLIC OR PRIVATE PROPERTY IS DAMAGE OR DESTROYED DUE TO THE OPERATIONS OF THE CONTRACTOR, THE CONTRACTOR SHALL, AT NO ADDITIONAL COST TO THE DEPARTMENT, RESTORE SUCH PROPERTY TO A CONDITION EQUAL TO THE EXISTING BEFORE SUCH DAMAGE OR INJURY WAS DONE BY REPAIRING, REBUILDING, OR REPLACING IT AS MAY BE DIRECTED, OR THE CONTRACTOR SHALL OTHERWISE MAKE GOOD SUCH DAMAGE OR DESTRUCTION IN AN ACCEPTABLE MANNER.

PLAN DIMENSIONS AND DETAILS RELATIVE TO EXISTING PLANS ARE SUBJECT TO ROUTINE VARIATIONS. THE CONTRACTOR SHALL FIELD VERIFY EXISTING DIMENSIONS AND DETAILS AFFECTING NEW CONSTRUCTION AND MAKE NECESSARY APPROVED ADJUSTMENT PRIOR TO CONSTRUCTION OR ORDERING OF MATERIALS. SUCH VARIATIONS SHALL NOT BE CAUSE FOR ADDITIONAL COMPENSATION FOR A CHANGE IN THE SCOPE OF THE WORK. HOWEVER, THE CONTRACTOR WILL BE PAID FOR THE QUANTITY FURNISHED BASED UPON THE UNIT BID FOR THE WORK.

FOR STABILIZATION, ALL TYPE III BARRICADES SHALL REQUIRE A MINIMUM OF FOUR SAND BAGS PER BARRICADE.

THE CONTRACTOR SHALL BE RESPONSIBLE FOR PROTECTING UTILITY PROPERTY FROM CONSTRUCTION OPERATIONS AS OUTLINED IN ARTICLE 107.31 OF THE STANDARD SPECIFICATIONS. THE "JULIE" NUMBER IS 1-800-892-0123. A MINIMUM OF FORTY-EIGHT (48) HOURS ADVANCE NOTICE IS REQUIRED.

WHERE SECTION OR SUBSECTION MONUMENTS ARE ENCOUNTERED, THE ENGINEER SHALL BE NOTIFIED BEFORE SUCH MONUMENTS ARE REMOVED. THE CONTRACTOR SHALL PROTECT AND CAREFULLY PRESERVE ALL MONUMENTS UNTIL AN AUTHORIZED SURVEYOR OR AGENT HAS WITNESSED OR OTHERWISE REFERENCED THEIR LOCATION. THE CONTRACTOR SHALL BE RESPONSIBLE FOR HAVING AN AUTHORIZED SURVEYOR REESTABLISH ANY SECTION OR SUBSECTION MONUMENTS DESTROYED BY HIS OPERATIONS.

ANY REFERENCE TO A STANDARD IN THESE PLANS SHALL BE INTERPRETED TO MEAN THE EDITION AS INDICATED BY THE SUBNUMBER LISTED ON THE INDEX OF SHEETS OR THE COPY OF THE STANDARD INCLUDED IN THESE PLANS.

THE CONTRACTOR SHALL BE REQUIRED TO SECURE WASTE CONTAINERS THAT REMAIN ON THE JOB SITE. THIS WILL ENTAIL THAT ALL WASTE CONTAINERS CAN NOT BE MOVED OR OPENED DURING NON-WORKING HOURS.

THE EXISTING STRUCTURAL STEEL CONTAINS LEAD. THE CONTRACTOR SHOULD TAKE APPROPRIATE PRECAUTIONS TO DEAL WITH THE PRESENCE OF LEAD PAINT ON THIS PROJECT.

IF THE CONTRACTOR/SUBCONTRACTOR LICENSED TO DISPOSE OF LEAD PAINT RESIDUE FAILS TO DISPOSE OF PAINT RESIDUES ON OR BEFORE THE SPECIFIED COMPLETION DATE, LIQUIDATED DAMAGES SHALL BE CHARGED PER CALENDAR DAY ACCORDING TO ARTICLE 108.09 OF THE STANDARD SPECIFICATIONS UNTIL SUCH TIME THAT THE PAINT RESIDUES HAVE BEEN PROPERLY DISPOSED OF.

THE SSPC-OP1 AND SSPC-OP2 PAINTING CONTRACTOR CERTIFICATIONS WILL BE REQUIRED FOR THIS PROJECT.

STRUCTURE NO. 006-0127

ALL EXISTING STEEL, INCLUDING BEAMS, DIAPHRAGMS, ANGLES, BEARINGS (AND ALL RAILING COMPONENTS) ETC. SHALL BE CLEANED PER NEAR WHITE BLAST CLEANING, SSPC-SP10. ALL EXISTING STEEL SHALL BE PAINTED ACCORDING TO THE REQUIREMENTS OF PAINT SYSTEM 1 - 0Z/EU. THE COLOR OF THE FINAL FINISH COAT FOR ALL INTERIOR STEEL SURFACES SHALL BE GREY, MUNSELL NO. 5B 7/1. THE COLOR OF THE FINAL FINISH COAT FOR THE EXTERIOR AND BOTTOM FLANGE OF FASICA BEAMS SHALL BE GREEN, MUNSELL NO. 7.5G 4/8. THE COLOR OF THE FINAL FINISH COAT FOR THE STEEL RAILING SHALL BE LIGHT GREY, MUNSELL NO. 10Y 7/1.

THE CONTRACTOR SHALL FURNISH AND INSTALL A MINIMUM OF TWO (2) AIR MONITORS FOR THIS PROJECT TO MONITOR ABRASIVE BLASTING AT THIS SITE. SEE SPECIAL PROVISION FOR "CONTAINMENT AND DISPOSAL OF LEAD PAINT CLEANING RESIDUES".

COMMITMENTS

DISPOSAL OF EXCAVATED MATERIALS. ALL SUITABLE OR UNSUITABLE MATERIALS EXCAVATED DUE TO CONSTRUCTION OPERATIONS SHALL BE DISPOSED OF WITHIN THE LIMITS OF EXISTING RIGHT OF WAY. DISPOSAL OF EXCAVATED MATERIALS OFF THE RIGHT OF WAY SHALL NOT BE PERMITTED.

EXCAVATED MATERIALS SHALL BE DISPOSED OF AT LOCATIONS DIRECTED BY THE ENGINEER. ANY SUCH DISPOSAL SHALL NOT CREATE AND UNSIGHTLY OR OBJECTIONABLE APPEARANCE OR DETRACT FROM THE NATURAL TOPOGRAPHIC FEATURES WITHOUT WRITTEN PERMISSION FROM THE ENGINEER.

DATE: 3-29-13

PREPARED BY: Tom Bonvil
DISTRICT STUDIES & PLANS ENGINEER

EXAMINED BY: Heidi Jones
DISTRICT CONSTRUCTION ENGINEER

Ray J. Phillips
DISTRICT MATERIALS ENGINEER

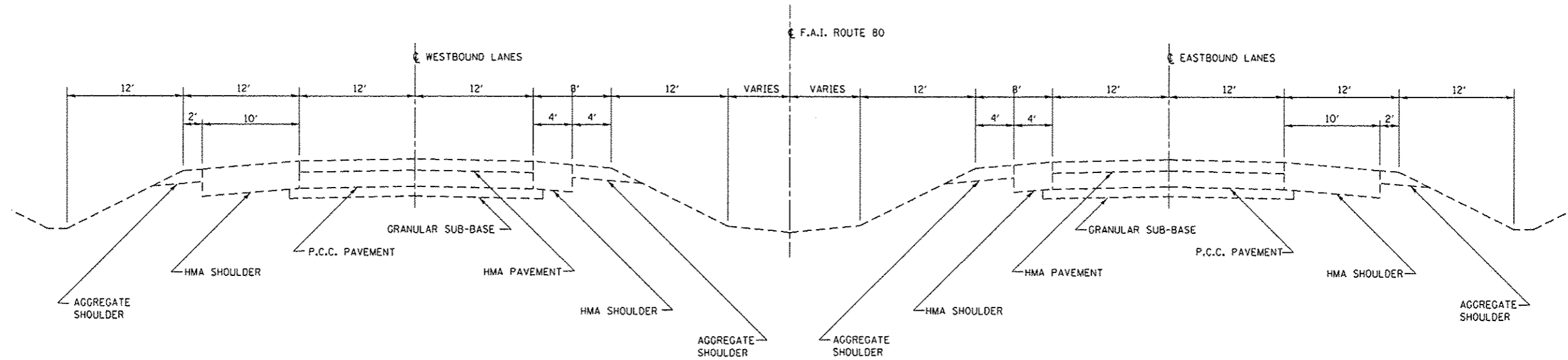
Bruce A. Huber
DISTRICT OPERATIONS ENGINEER

Rev.

FILE NAME	USER NAME	DESIGNED	REVISED	STATE OF ILLINOIS DEPARTMENT OF TRANSPORTATION				GENERAL NOTES				F.A.I. RTE.	SECTION	COUNTY	TOTAL SHEETS	SHEET NO.	
c:\pwwork\spwidat\spurlock\d0335437\03	spurlockd	66C88-sht-detailed.dgn	66C88-sht-detailed.dgn	SCALE: NONE	SHEET 1	OF 1	SHEETS	STA.	TO STA.	80	(06-6HB-1)BP	BUREAU	9	2	CONTRACT NO. 66C88		
Default		PLOT SCALE = 1/8"=1'-0"	PLOT DATE = 3/26/2013	DATE = MAR 2013													ILLINOIS FED. AID PROJECT

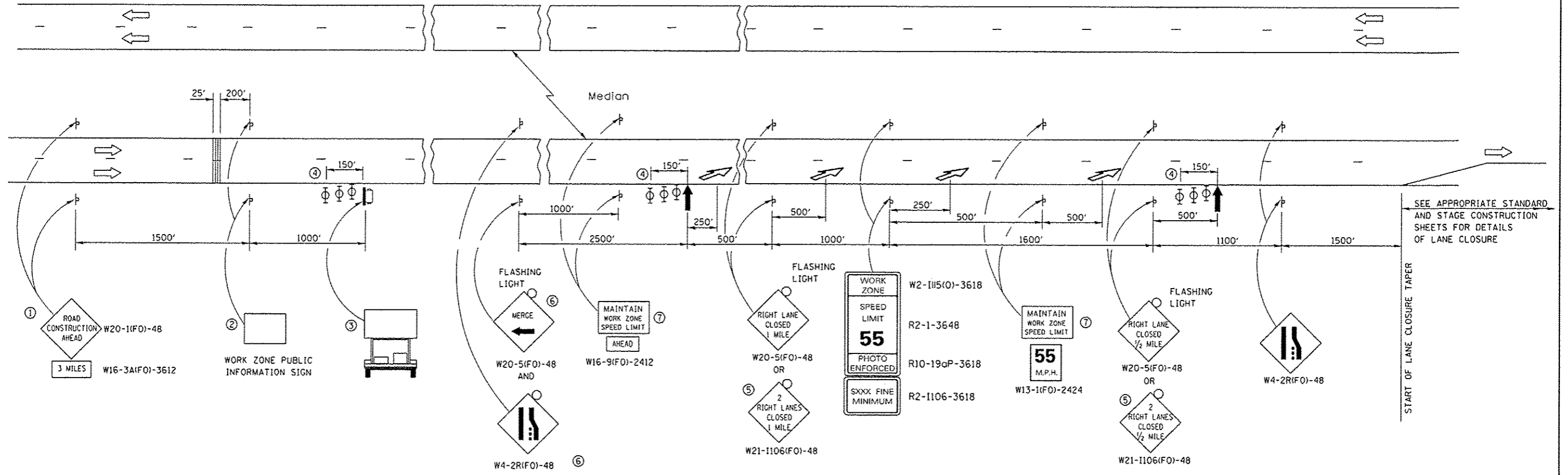
CODE NO.	ITEM	UNIT	CONSTR. CODE
			STATE FUNDS 100% STATE STRUCTURE 0014 RURAL
50600200	PAINTING STEEL RAILING	FOOT	435
50606701	CLEANING AND PAINTING STRUCTURAL STEEL, LOCATION 1	L SUM	1
67100100	MOBILIZATION	L SUM	1
70100450	TRAFFIC CONTROL AND PROTECTION, STANDARD 701201	L SUM	1
70400100	TEMPORARY CONCRETE BARRIER	FOOT	300
70400200	RELOCATE CONCRETE BARRIER TEMPORARY	FOOT	900
70600250	IMPACT ATTENUATORS, TEMPORARY (NON-REDIRECTIVE), TEST LEVEL 3	EACH	1
70600350	IMPACT ATTENUATORS, RELOCATE (NON-REDIRECTIVE), TEST LEVEL 3	EACH	3
* 78009006	MODIFIED URETHANE PAVEMENT MARKING - LINE 6"	FOOT	840
78300100	PAVEMENT MARKING REMOVAL	SQ FT	420
X5067501	BRIDGE CLEANING AND PAINTING WARRANTY NUMBER 1	L SUM	1
X7010208	TRAFFIC CONTROL AND PROTECTION, STANDARD 701402 (SPECIAL)	EACH	2
Z0007101	CONTAINMENT AND DISPOSAL OF LEAD PAINT CLEANING RESIDUES NO. 1	L SUM	1

* SPECIALITY ITEMS

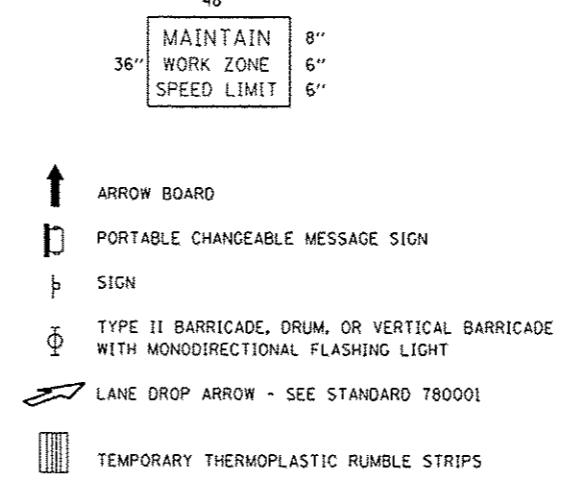


TYPICAL SECTION

FILE NAME =	USER NAME = spurlockd	DESIGNED - OBS	REVISED -	STATE OF ILLINOIS DEPARTMENT OF TRANSPORTATION	TYPICAL SECTIONS	F.A.I. RTE.	SECTION	COUNTY	TOTAL SHEETS	SHEET NO.
c:\pwwork\spurlockd\0335437\036608-sht-details.dgn	DRAWN - OBS	REVISED -	80			106-6HG-118P	BUREAU	9	4	
Default	PLOT SCALE = 100.0000' / in.	CHECKED -	REVISED -			CONTRACT NO. 66C88				
	PLOT DATE = 3/26/2013	DATE - MAR 2013	REVISED -			ILLINOIS FED. AID PROJECT				
				SCALE: NONE		SHEET 1 OF 1 SHEETS		STA. TO STA.		



- ① THE ROAD CONSTRUCTION AHEAD SIGN SHALL BE LOCATED 3 MILES IN ADVANCE OF THE PROJECT LIMITS.
- ② THE MESSAGE AND SIZE OF THE WORK ZONE PUBLIC INFORMATION SIGN SHALL BE AS SPECIFIED BY THE DEPARTMENT.
- ③ TO BE PLACED IN THE MEDIAN WHEN FEASIBLE. THE MESSAGE BOARD SHALL BE USED TO DISPLAY STATUS OF LANES WITHIN THE PROJECT. THE PRIMARY MESSAGES SHALL BE:
"RIGHT LANE CLOSED" / " x MILES AHEAD"
"LEFT LANE CLOSED" / " x MILES AHEAD"
"ALL LANES OPEN"
- ④ THREE, TYPE II BARRICADES, DRUMS, OR VERTICAL BARRICADES AT 50' CENTERS.
- ⑤ THIS SIGN SHALL BE USED WHEN 2 LANES ARE CLOSED.
- ⑥ WHEN THE LEFT LANE IS CLOSED, SWITCH THESE TWO SIGNS AND THE DIRECTION OF THE MERGE ARROW.
- ⑦ 48"x36" FLUORESCENT ORANGE SIGN WITH BLACK LETTERS.



GENERAL NOTE:

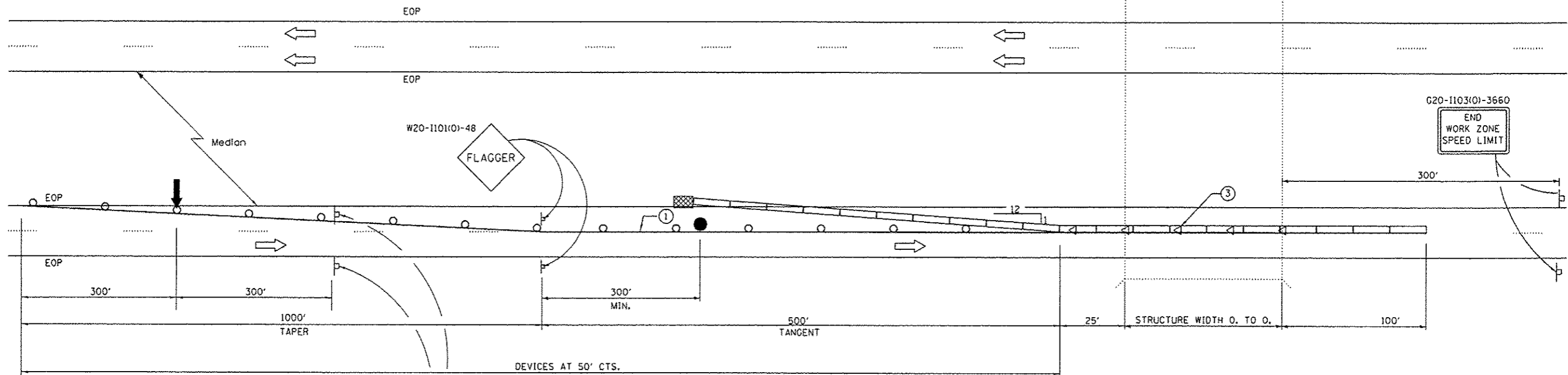
THIS STANDARD IS USED WHERE AT ANY TIME A LANE IS CLOSED ON A FREEWAY/EXPRESSWAY.

WHEN THE LEFT LANE IS CLOSED, LEFT LANE CLOSED SIGNS SHALL BE SUBSTITUTED FOR THE RIGHT LANE CLOSED SIGNS.

THE FIRST TWO SIGNS AND THE MESSAGE BOARD ARE STATIONARY. THE OTHER SIGNS AND ARROWBOARDS SHALL BE MOVED AS NECESSARY TO MAINTAIN THE REQUIRED DISTANCE FROM THE START OF THE LANE CLOSURE TAPER(S).

SEE SPECIAL PROVISIONS.

FILE NAME =	USER NAME = spurlockd	DESIGNED - OBS	REVISED -	STATE OF ILLINOIS DEPARTMENT OF TRANSPORTATION	TRAFFIC CONTROL AND PROTECTION STANDARD 701400 (SPECIAL)	F.A.I. RTE.	SECTION	COUNTY	TOTAL SHEETS	SHEET NO.	
c:\pwwork\p\idot\spurlockd\08335437\03	6C08-sh1-details.dgn	DRAWN - OBS	REVISED -			80	(06-6HB-1)BP	BUREAU	9	5	
Default	PLOT SCALE = 100.0000' / in.	CHECKED -	REVISED -			SCALE: NONE		SHEET 1 OF 1 SHEETS		STA. TO STA.	
	PLOT DATE = 3/26/2013	DATE - MAR 2013	REVISED -			CONTRACT NO. 66C88					



SEE STANDARD 701400 (SPECIAL) FOR APPROACH LANE CLOSURE SIGNING

WORK ZONE	W2-1115(O)-3618
SPEED LIMIT	R2-1-3648
45	
PHOTO ENFORCED	R10-19aP-3618
XXXX FINE MINIMUM	R2-1106-3618

PLAN

SYMBOLS

- ↑ ARROW BOARD
- ▨ WORK AREA
- ⊥ SIGN
- TRAFFIC CONTROL DRUM WITH STEADY BURN MONODIRECTIONAL LIGHT
- FLAGGER
- ▬ TEMPORARY CONCRETE BARRIER
- ◁ MONODIRECTIONAL BARRIER WALL/GUARDRAIL MARKER
- ▩ IMPACT ATTENUATOR

- ① TEMPORARY PAVEMENT MARKING
- ② EXISTING PAVEMENT MARKING

GENERAL NOTES

THIS STANDARD IS USED WHERE AT ANY TIME ANY VEHICLE, EQUIPMENT, WORKERS OR THEIR ACTIVITIES WILL ENCRUCH ON THE PAVEMENT OR ON THE SHOULDER WITHIN 24 INCHES OF THE EDGE OF PAVEMENT FOR DAYLIGHT OPERATION EXCEEDING ONE DAY AND WHERE TEMPORARY CONCRETE BARRIER IS UTILIZED.

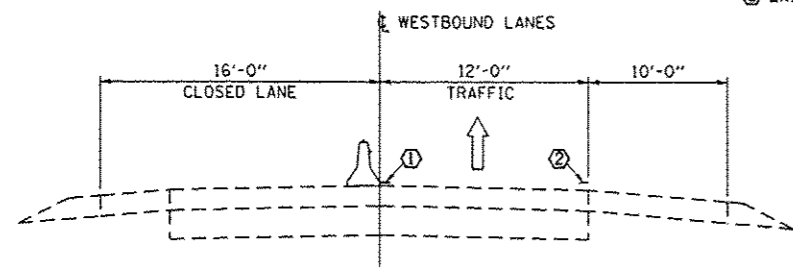
THIS STANDARD MUST BE USED IN COMBINATION WITH STANDARD 701400 (SPECIAL).

WHEN WORK IS BEING PERFORMED IN THE LEFT LANE, THE SET UP WOULD BE A MIRROR IMAGE TO WHAT IS SHOWN.

FLAGGER, FLAGGER SIGNS AND SPEED LIMIT SIGNS SHALL BE REQUIRED WHENEVER TEMPORARY CONCRETE BARRIER IS NOT IN PLACE. WHEN TEMPORARY CONCRETE BARRIER IS IN PLACE, THE FLAGGER SIGNS SHALL BE REMOVED OR COVERED AND THE FLAGGER NOT REQUIRED.

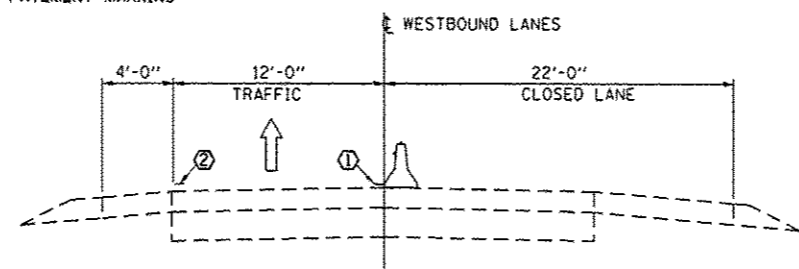
TEMPORARY CONCRETE BARRIER SHALL BE ACCORDING TO STANDARD 704001.

- ① TEMPORARY PAVEMENT MARKINGS SHALL BE PLACED THROUGHOUT THE TAPER AND ALONGSIDE THE WORK AREA. THE RIGHT EDGE LINE SHALL BE WHITE AND THE LEFT EDGE LINE SHALL BE YELLOW.
- ② EXISTING PAVEMENT MARKING
- ③ BARRIER WALL/GUARDRAIL MARKERS AT 25'. MARKERS ON RIGHT SHALL BE CRYSTAL AND MARKERS ON LEFT SHALL BE AMBER. COST INCLUDED WITH TEMPORARY CONCRETE BARRIER.



LEFT LANE CLOSURE

LOOKING IN DIRECTION OF TRAFFIC



RIGHT LANE CLOSURE

LOOKING IN DIRECTION OF TRAFFIC

NOTE: TRAFFIC CONTROL AND PROTECTION FOR TWO-LANE ROADS SHALL BE ACCORDING TO STANDARD 701201.

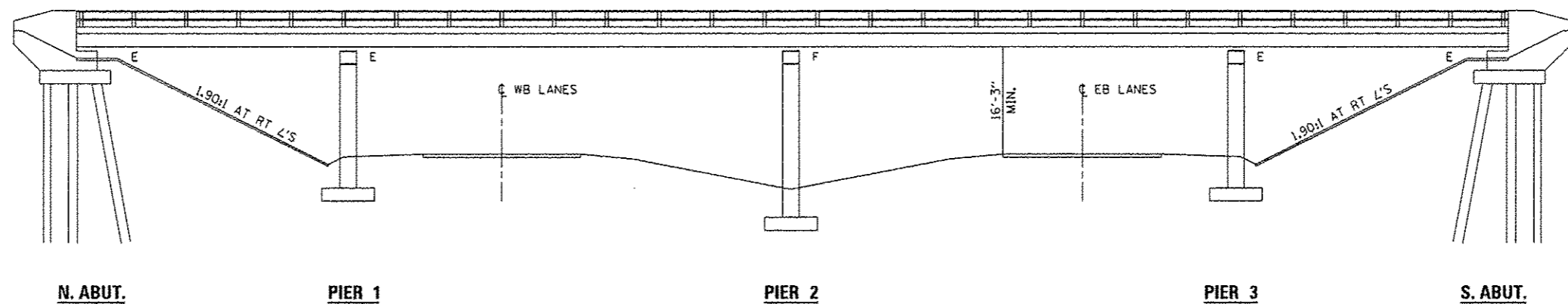
FILE NAME =	USER NAME = spurlockd	DESIGNED - DBS	REVISED -
ct:\pw\work\p\p\dot\spurlockd\0335437\03	6C88-shs-details.dgn	DRAWN - DBS	REVISED -
Default	PLOT SCALE = 100.0000' / 1" in.	CHECKED -	REVISED -
	PLOT DATE = 3/26/2013	DATE - MAR 2013	REVISED -

STATE OF ILLINOIS
DEPARTMENT OF TRANSPORTATION

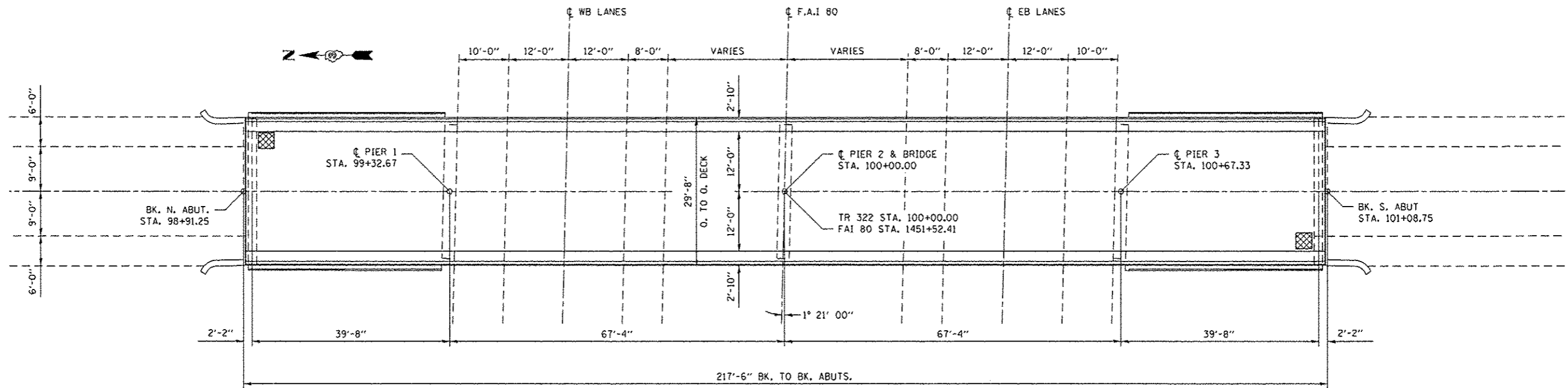
TRAFFIC CONTROL AND PROTECTION
STANDARD 701402 (SPECIAL)

SCALE: NONE SHEET 1 OF 1 SHEETS STA. TO STA.

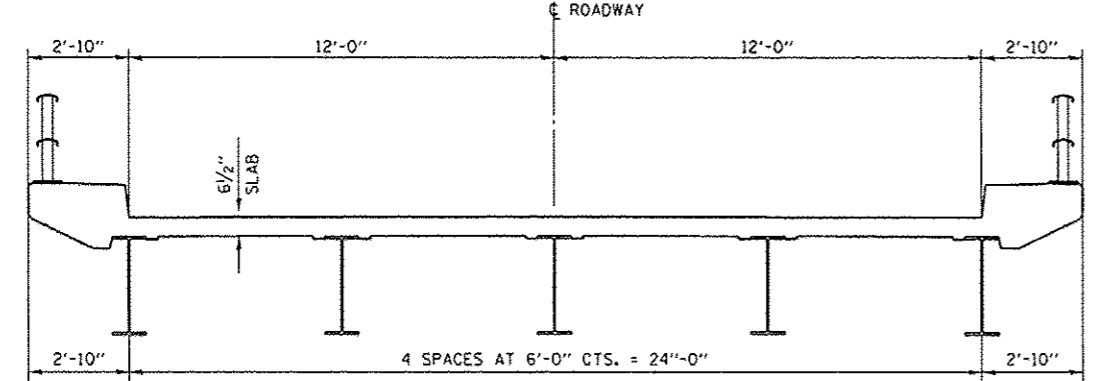
F.A.I. RTG.	SECTION	COUNTY	TOTAL SHEETS	SHEET NO.
80	106-6MB-18P	BUREAU	9	6
CONTRACT NO. 66C88			ILLINOIS FED. AID PROJECT	



ELEVATION



PLAN



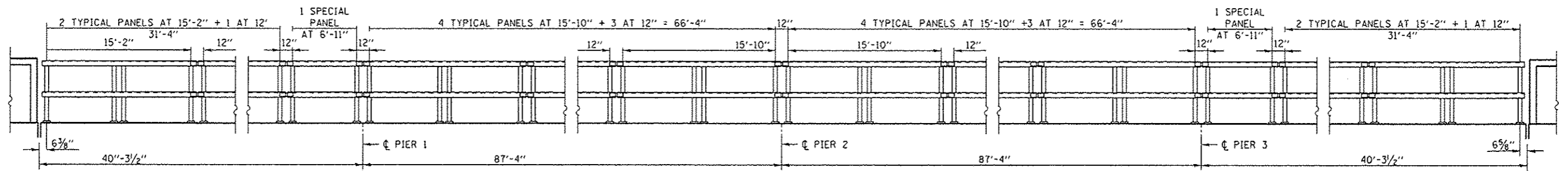
CROSS SECTION

AIR MONITORS

TOTAL BILL OF MATERIAL

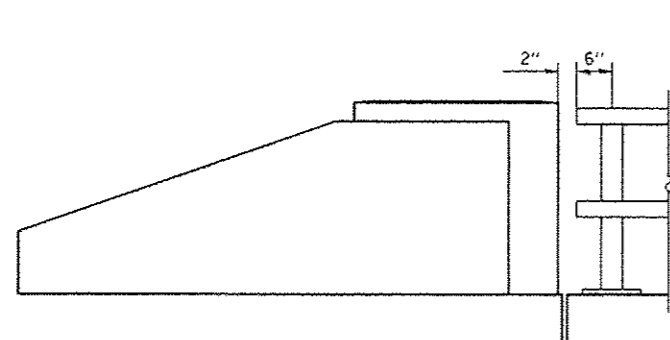
ITEM	UNIT	SUPER	SUB	TOTAL
CLEANING AND PAINTING STRUCTURAL STEEL, LOCATION 1	L SUM	1		1
CONTAINMENT AND DISPOSAL OF LEAD PAINT CLEANING RESIDUES NO. 1	L SUM	1		1
BRIDGE CLEANING AND PAINTING WARRANTY NUMBER 1	L SUM	1		1
PAINTING STEEL RAILING	FOOT	435		435

"FOR INFORMATION ONLY"

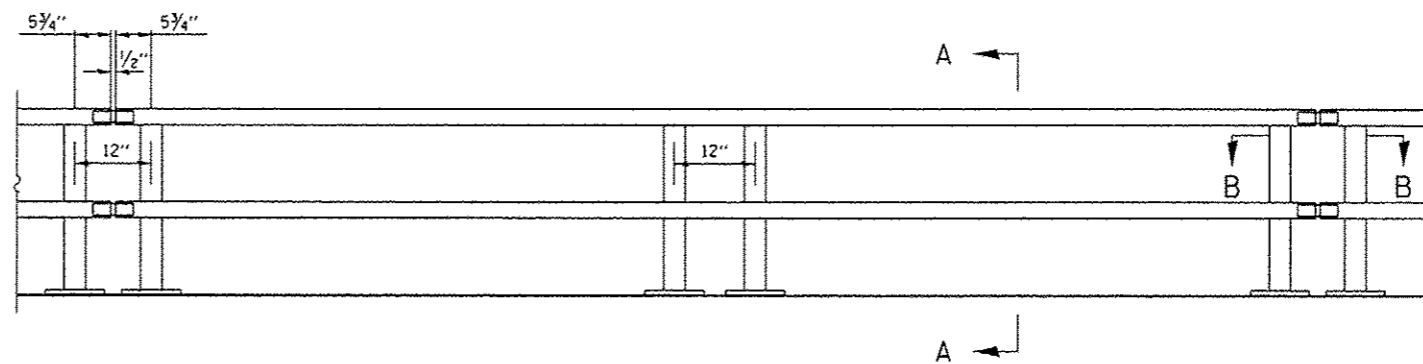


ELEVATION OF HANDRAILS

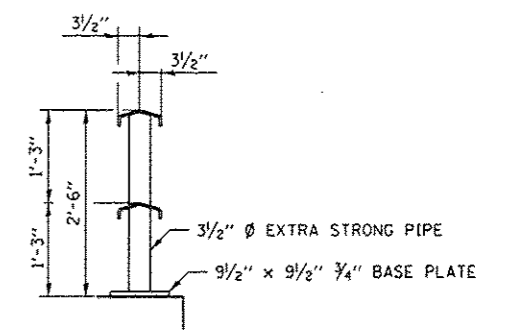
(WEST RAIL LOOKING EAST - EAST RAIL OPPOSITE)



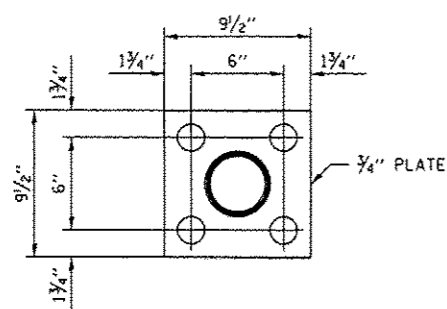
ELEVATION END POST



ELEVATION TYPICAL PANEL

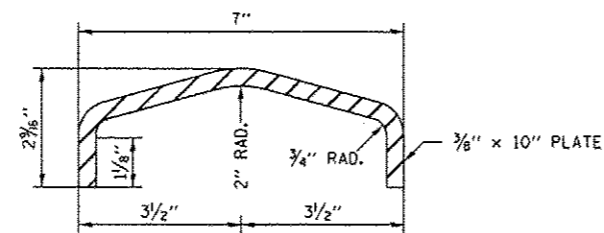


SECTION A-A

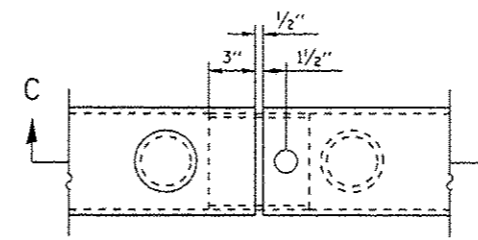


BASE PLATE

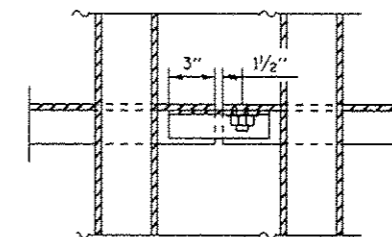
ALL POST - SUPERSTRUCTURE



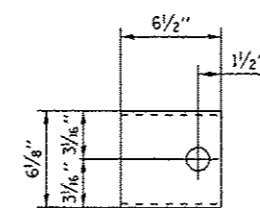
DETAIL OF RAIL



SECTION B-B

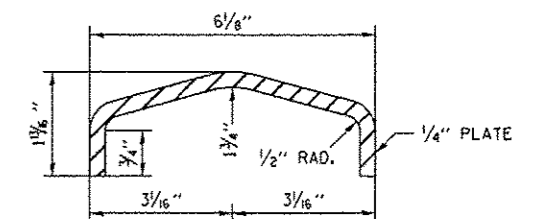


SECTION C-C



PLAN

(CONNECTING PLATE)



DETAIL OF CONNECTING PLATE

"FOR INFORMATION ONLY"

FILE NAME =	USER NAME = spurlookd	DESIGNED - DBS	REVISED -	STATE OF ILLINOIS DEPARTMENT OF TRANSPORTATION	STEEL RAILING FOR STRUCTURE NO. 006-0127		F.A.I. RTE. =	SECTION	COUNTY	TOTAL SHEETS	SHEET NO.	
c:\pwwork\spurlookd\03335437\036C88-shr-details.dgn	PLOT SCALE = 100.0000' / 1"	DRAWN - DBS	REVISED -		SCALE: NONE	SHEET 1 OF 1 SHEETS	STA. TO STA.	80	106-6HB-1BP	BUREAU	9	9
Default	PLOT DATE = 3/26/2013	CHECKED -	REVISED -					CONTRACT NO. 66C88				
		DATE - MAR 2013	REVISED -		ILLINOIS FED. AID PROJECT							