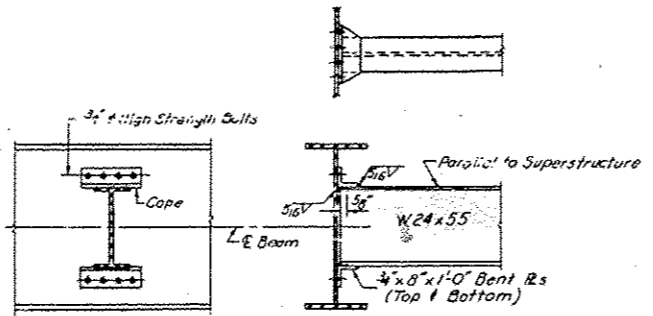
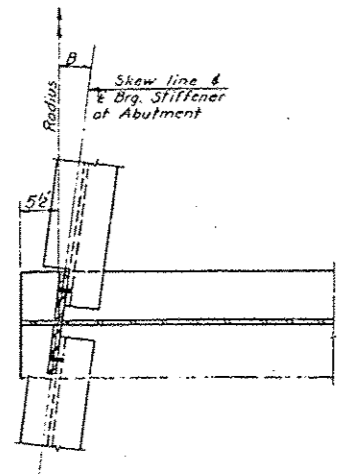


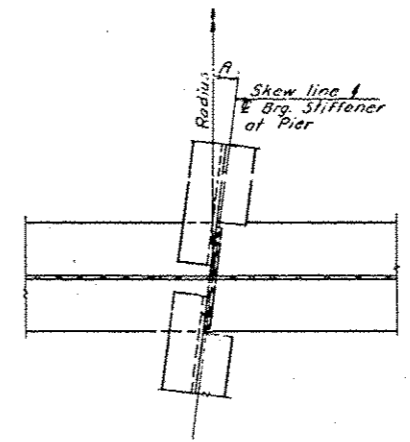
STATE OF ILLINOIS
DEPARTMENT OF TRANSPORTATION

PROJECT NO.	SECTION	SHEET NO.	TOTAL SHEETS
148-1	148-1	9	16

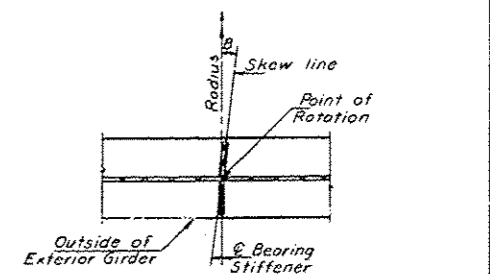
16 SHEETS



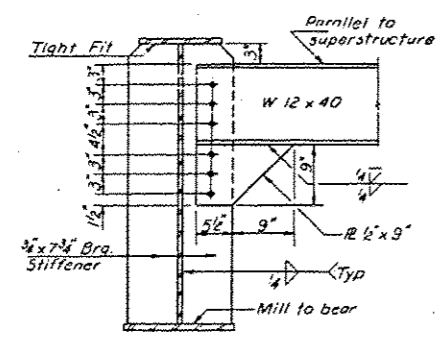
DIAPHRAGM D₁
No. Req'd. 65



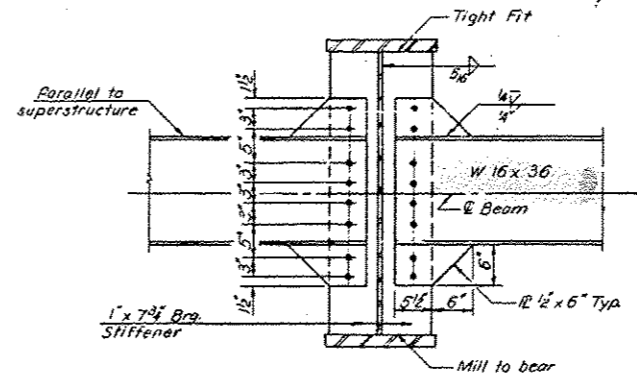
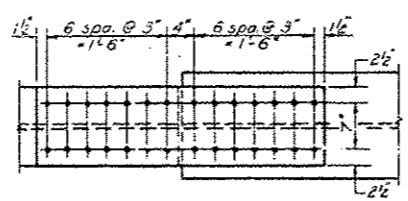
ABUTMENT BEARING STIFFENERS
EXTERIOR GIRDER



PIER BEARING STIFFENERS
EXTERIOR GIRDER



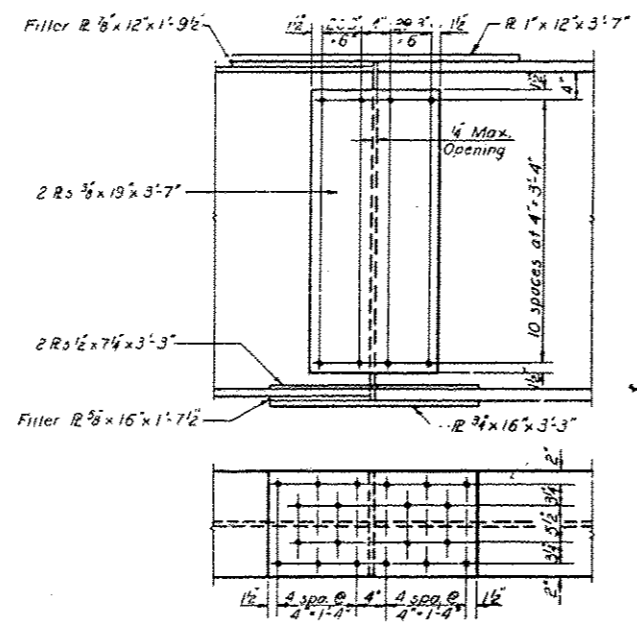
DIAPHRAGM D
No. Req'd. 10



DIAPHRAGM D₂
No. Req'd. 10

ANGLE "B"

Loc	W Abut	Pier 1	Pier 2	E. Abut.
1	10° 24' 06"	8° 13' 13"	5° 39' 41"	3° 30' 07"
2	10° 26' 17"	8° 14' 37"	5° 40' 52"	3° 30' 51"
3	10° 28' 30"	8° 16' 41"	5° 42' 04"	3° 31' 55"
4	10° 30' 43"	8° 18' 26"	5° 43' 16"	3° 32' 20"
5	10° 32' 37"	8° 20' 11"	5° 44' 28"	3° 33' 04"
6	10° 35' 13"	8° 21' 58"	5° 45' 41"	3° 33' 50"



SPLICE
3/4" H.S. Bolts Flanges
1/2" H.S. Bolts Web

TOP OF WEB ELEVATIONS

Girder	Elevation
1	497.066
2	496.602
3	496.138
4	495.674
5	495.210
6	494.746

DESIGNED	J. W. C. W.
CHECKED	James Kunk
DRAWN	R. P. Summer
CHECKED	JNP

EXAMINED	[Signature]
PASSED	
APPROVED	

STRUCTURAL STEEL
FA. RT.36 SEC.148-1
PIKE COUNTY
STATION 555+80

FOR INFORMATION ONLY