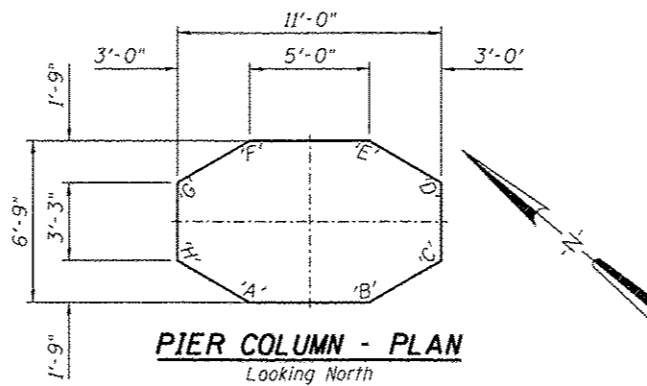
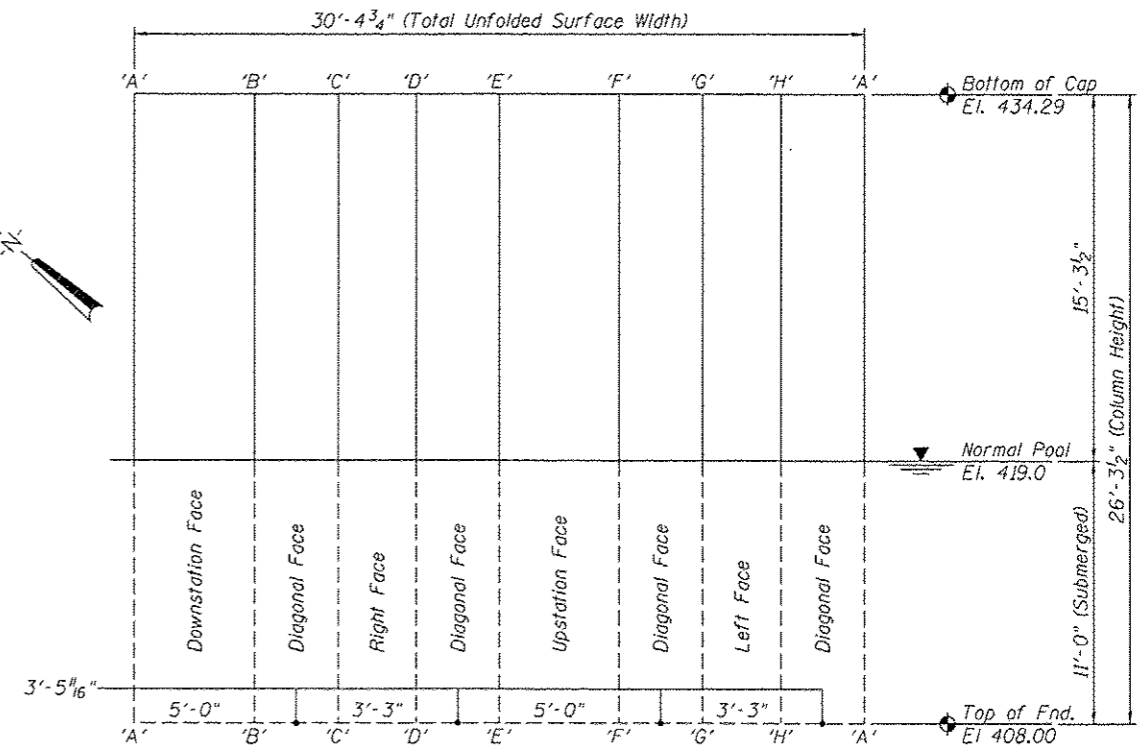


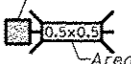
PIER NO. 1 - ELEVATION - LEFT COLUMN
 Column Surface Shown Unfolded



PIER COLUMN - PLAN
 Looking North



PIER NO. 1 - ELEVATION - RIGHT COLUMN
 Column Surface Shown Unfolded

Minor Concrete Damage

 Area Size LxW (Feet)
 L=Measured Vertical
 W=Measured Horizontal
MINOR CONCRETE DAMAGE
 (Not to be Repaired)

DESIGNED -	EXAMINED _____	DATE - _____
CHECKED -	ENGINEER OF STRUCTURAL SERVICES	
DRAWN Rod	PASSED _____	
CHECKED MNM	ENGINEER OF BRIDGES AND STRUCTURES	

STATE OF ILLINOIS
DEPARTMENT OF TRANSPORTATION

REPAIRS TO - PIER NUMBER 1 - COLUMNS
STRUCTURE NO. 060-0255

SHEET NO. 19 OF 48 SHEETS

F.A.P. RTE.	SECTION	COUNTY	TOTAL SHEETS	SHEET NO.
304	100B-10S-1	MADISON	58	29
CONTRACT NO. 76E73				
ILLINOIS FED. AID PROJECT				