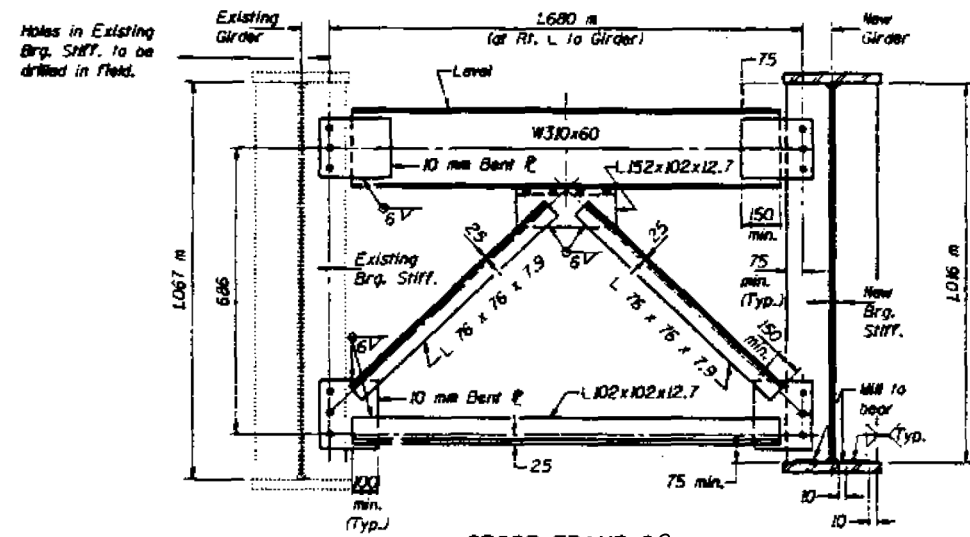


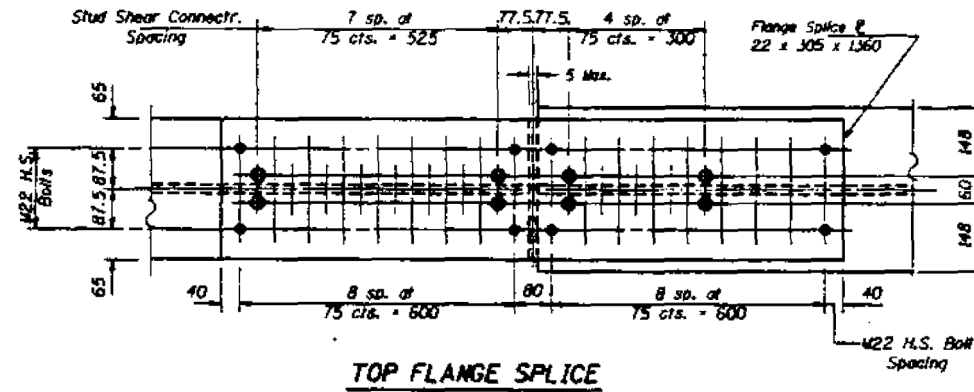
STATE OF ILLINOIS
DEPARTMENT OF TRANSPORTATION

ST. CLAIR	116	95	SHEET NO. 13
25 SHEETS			

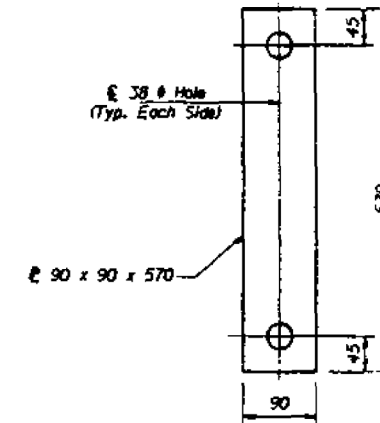


CROSS FRAME D2
(2 Required)

Notes: Detail 24 mm ϕ holes for all M20 H.S. bolts.
Two hardened washers shall be required over all oversized holes.

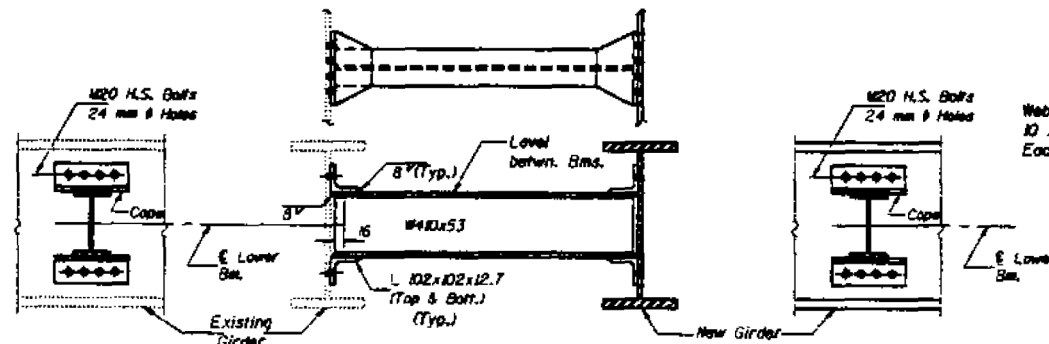


TOP FLANGE SPLICE

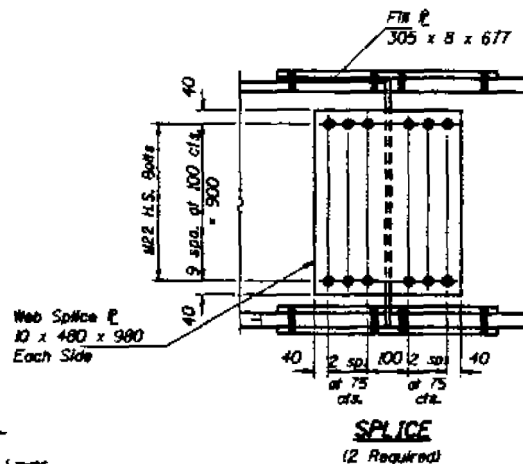


SIDE RETAINER FOR RETROFITTING AT FIXED PIER

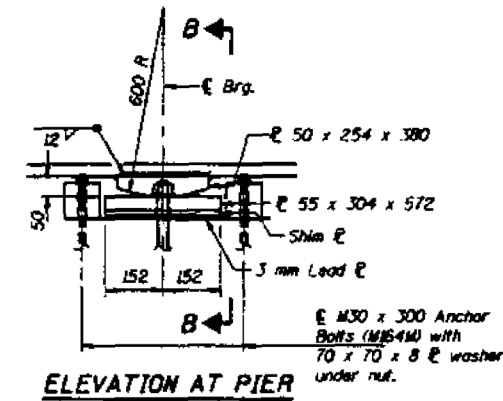
Weight included with Structural Steel.
Side Retainer placed flush next to Existing Plate (Typ. each side). Anchor Bolt Location to be determined in the field to miss existing reinforcement.



DIAPHRAGM D3
(1 Required)

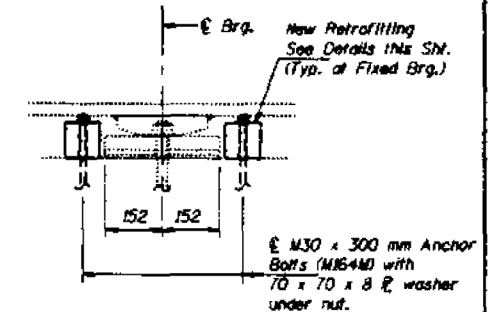


SPLICE
(2 Required)

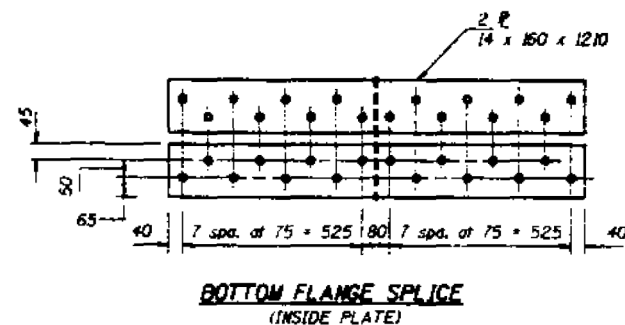


ELEVATION AT PIER

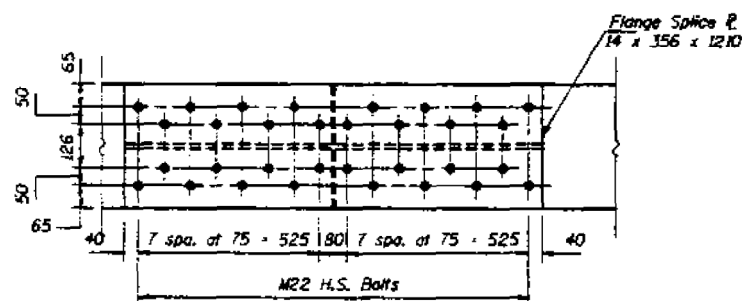
FIXED BEARING GIRDER 15



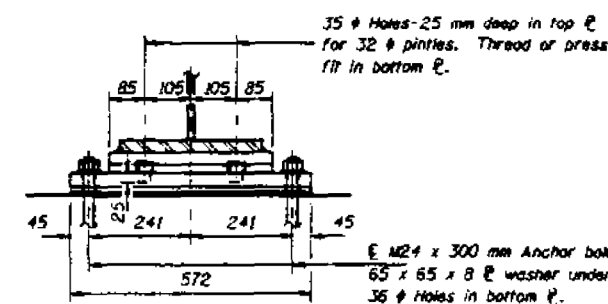
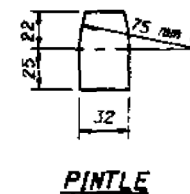
EXIST. FIXED BEARING ELEVATION AT PIER



BOTTOM FLANGE SPLICE (INSIDE PLATE)



BOTTOM FLANGE SPLICE (OUTER PLATE)



SECTION B-B

DESIGNED	<i>[Signature]</i>
CHECKED	<i>[Signature]</i>
DRAWN	<i>[Signature]</i>
CHECKED	<i>[Signature]</i>

DESIGNED	<i>[Signature]</i>	1996
CHECKED	<i>[Signature]</i>	
DRAWN	<i>[Signature]</i>	
CHECKED	<i>[Signature]</i>	

STRUCTURAL AND BEARING DETAILS
F.A.R. ROUTE 600- SECTION 82-5K-1
ST. CLAIR COUNTY
STATION 1+066.80

NOT TO SCALE

FOR INFORMATION ONLY
1998 RECONSTRUCTION

NOTE: PLANS ARE IN METRIC.

FILE NAME =	USER NAME = USER*	DESIGNED -	REVISED -	STATE OF ILLINOIS DEPARTMENT OF TRANSPORTATION	EXISTING STRUCTURE DETAILS			F.A.I. RTE.	SECTION	COUNTY	TOTAL SHEETS	SHEET NO.	
#FILE#		DRAWN -	REVISED -		SCALE: N/A	SHEET NO. 4 OF 7 SHEETS	STA.	TO STA.	64	82-5HB-3-P	ST. CLAIR	12	8
		CHECKED -	REVISED -					CONTRACT NO. 76G33					
		DATE -	REVISED -					FED. ROAD DIST. NO. ILLINOIS FED. AID PROJECT					