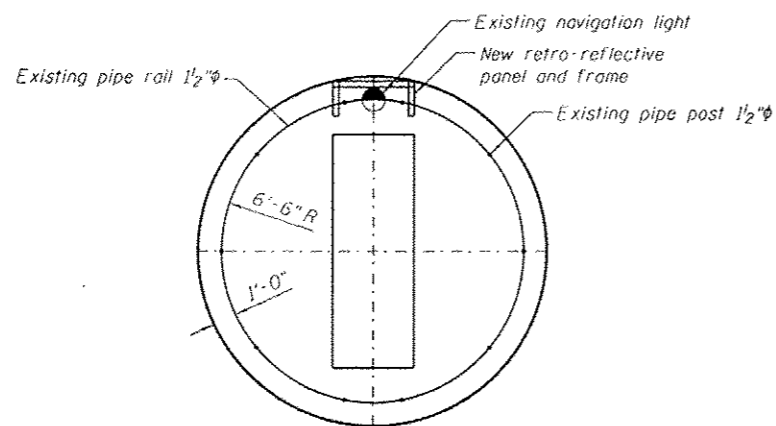
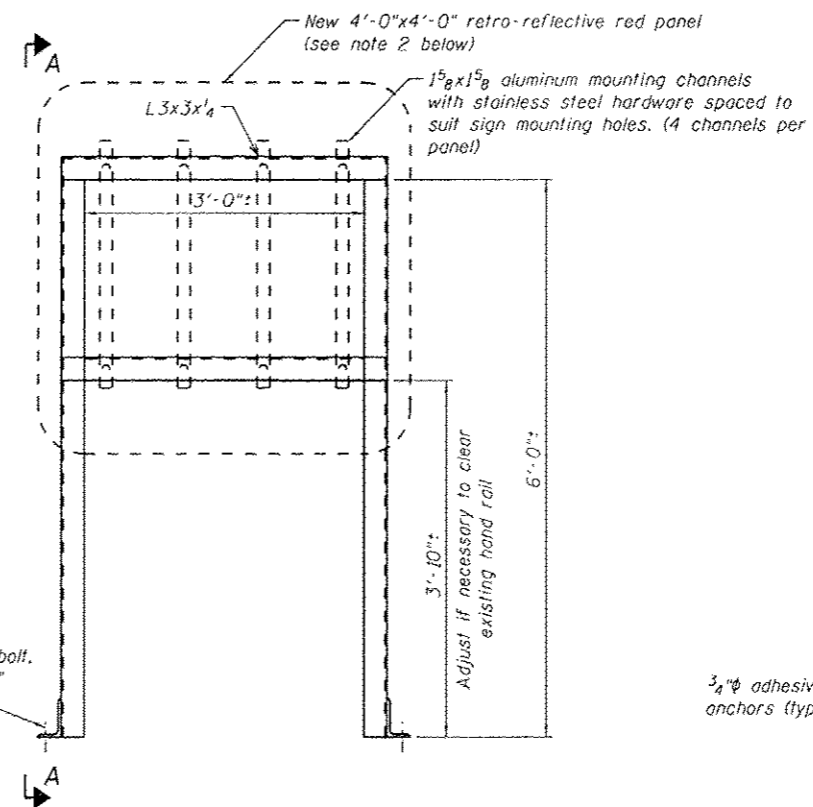


ELEVATION

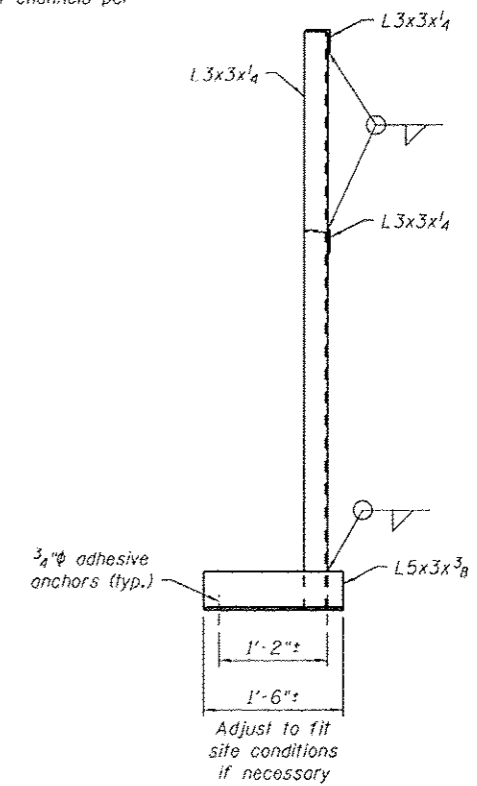


PLAN

TWO LOCATIONS - PIER 3 AND PIER 4



STEEL SUPPORT FRAME



VIEW A-A

NOTES:

1. See special provisions for additional requirements not shown.
2. Panels shall be attached with 1/2" ϕ stainless steel fasteners, spaced per panel manufacturers recommendations.



USER NAME :	DESIGNED - CDV, DECEMBER 2011	REVISED - CDV, APRIL 2013
	CHECKED - LVB, DECEMBER 2011	REVISED - LVB, APRIL 2013
PLOT SCALE :	DRAWN - RSJ, DECEMBER 2011	REVISED - RSJ, APRIL 2013
PLOT DATE : MARCH, 2013	CHECKED - CDV, DECEMBER 2011	REVISED - CDV, APRIL 2013

STATE OF ILLINOIS
DEPARTMENT OF TRANSPORTATION

NAVIGATION LIGHT AUTOMATIC CONTROLS
RETRO-REFLECTIVE PANEL DETAILS - RED PANELS

SHEET NO. 4 OF 5 SHEETS

F.A.I. RTE. 24	SECTION 164-3BIL-1	COUNTY MASSAC	TOTAL SHEETS 7	SHEET NO. 4
CONTRACT NO. T8273			ILLINOIS FED. AID PROJECT	