

FEDERAL AID PROJECT	SECTION 1E-000B(156)	COUNTY ST. CLAIR ILLINOIS
---------------------	-------------------------	---------------------------------

THOUVENOT,  
WADE &  
MOERCHEN, INC.  
ENGINEERS SURVEYORS

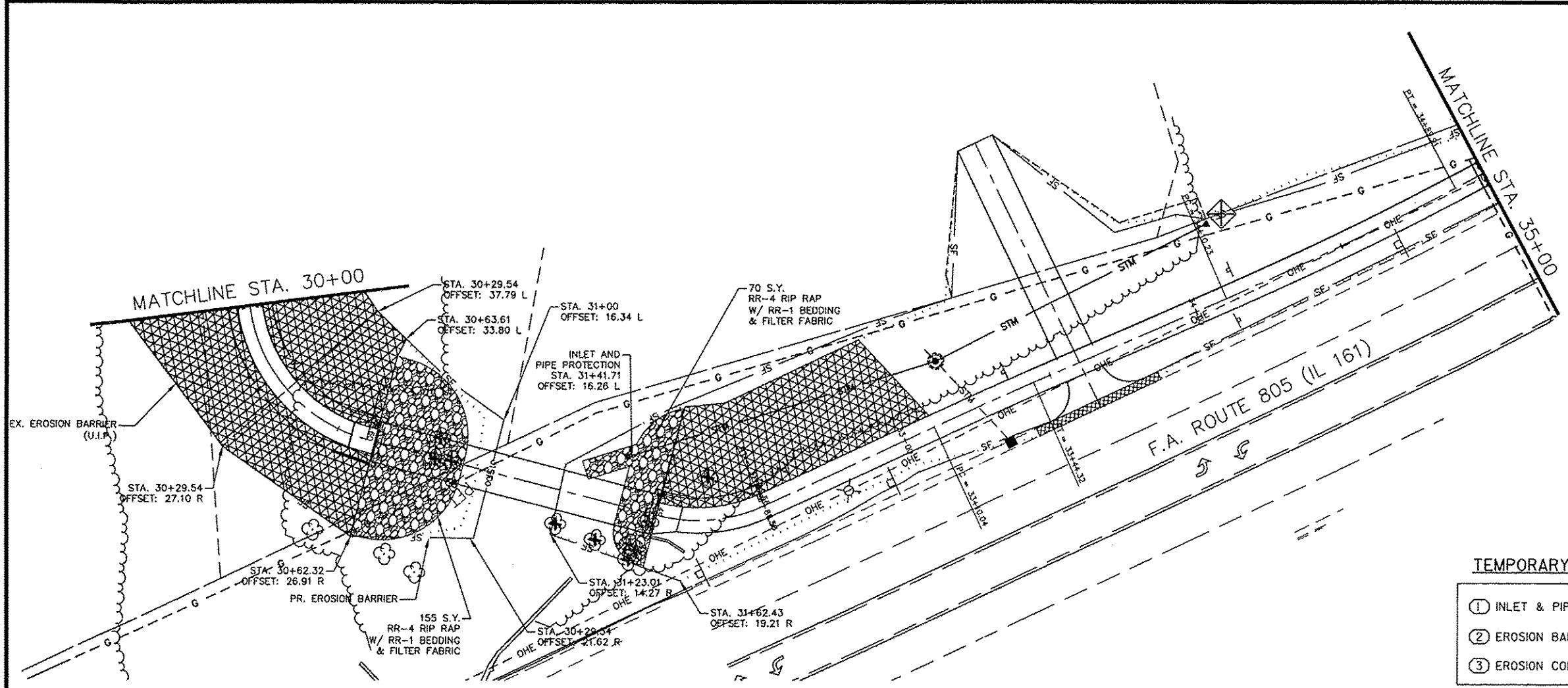
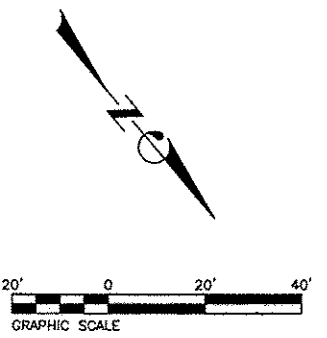


CORPORATE OFFICE  
4940 OLD COLLINSVILLE RD.  
SWANSEA, ILLINOIS 62226  
TEL (618) 624-4488  
FAX (618) 624-6688  
corp@twm-inc.com

WATERLOO OFFICE  
113 SOUTH MAIN STREET  
WATERLOO, ILLINOIS 62298  
TEL (618) 939-5050  
FAX (618) 939-3938  
waterloo@twm-inc.com

EDWARDSVILLE OFFICE  
600 COUNTRY CLUB VIEW, SUITE 1  
EDWARDSVILLE, ILLINOIS 62025  
TEL (618) 656-4040  
FAX (618) 656-4343  
edwardsville@twm-inc.com

ST. LOUIS OFFICE  
720 OLIVE ST., SUITE 200 A  
ST. LOUIS, MISSOURI 63101  
TEL (314) 241-6300  
stlouis@twm-inc.com



TEMPORARY EROSION CONTROL ITEMS

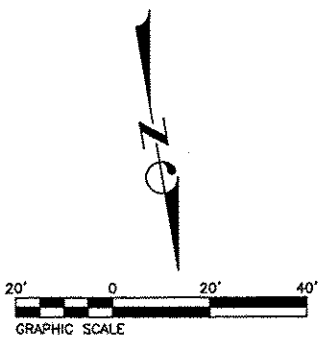
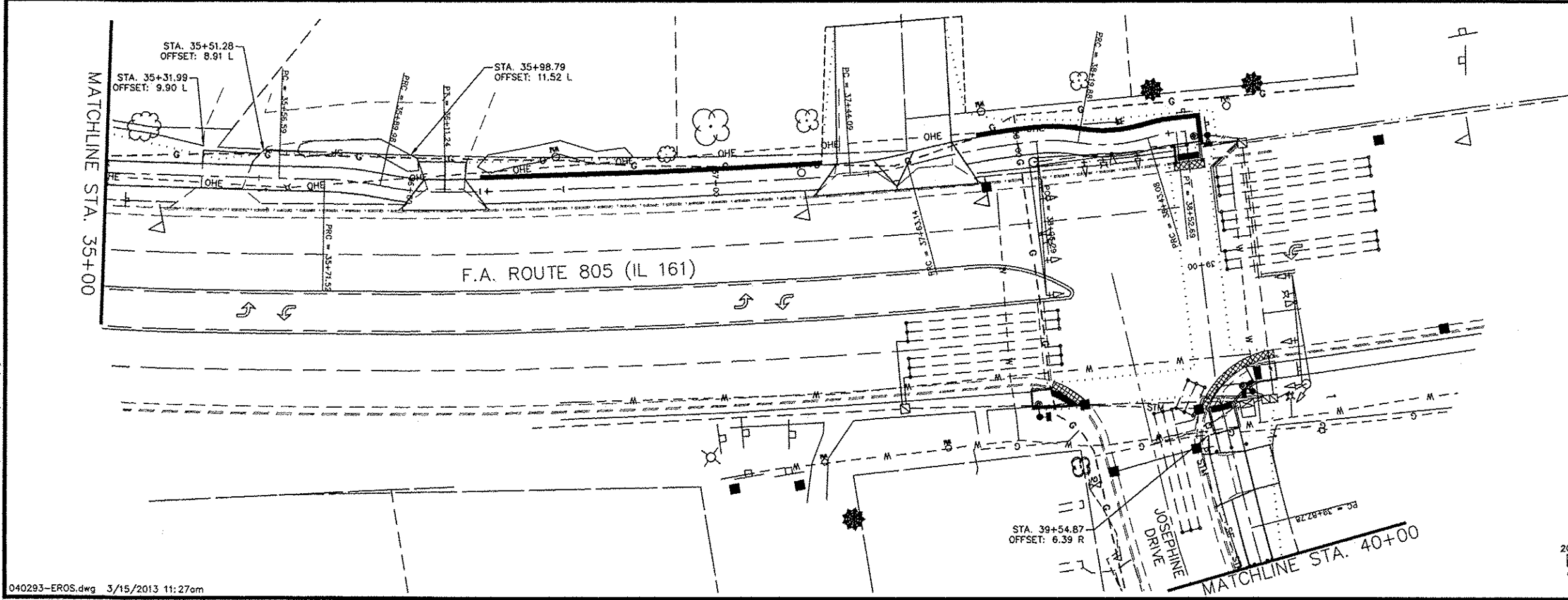
- ① INLET & PIPE PROTECTION
- ② EROSION BARRIER
- ③ EROSION CONTROL BLANKET

PROFESSIONAL REGISTRATIONS	LICENSE NO.
ILLINOIS PROFESSIONAL DESIGN FIRM	184-001270
ILLINOIS PROFESSIONAL ENGINEERING CORP.	62-035370
ILLINOIS PROFESSIONAL STRUCTURAL ENGINEER CORP.	81-005202
ILLINOIS PROFESSIONAL LAND SURVEYING CORP.	048-000020
MISSOURI PROFESSIONAL ENGINEER CORP.	NC 001528
MISSOURI LAND SURVEYING CORP.	NC 000346

SEAL

Signature: \_\_\_\_\_  
 Date: \_\_\_\_\_  
 Expiration Date: \_\_\_\_\_

**STATEMENT OF RESPONSIBILITY**  
 I hereby confirm that the document herein to be authenticated by my seal is restricted to this sheet, and I hereby disclaim any responsibility for all other drawings, specifications, estimates, reports or other documents or instruments relating to or intended to be utilized for any other part of the architectural, engineering or survey project.



TITLE: EROSION CONTROL PLAN  
 STA. 30+00 TO STA. 40+00

PROJECT: RICHLAND CREEK BIKE TRAIL  
 PHASE 2B  
 VILLAGE OF SWANSEA  
 ST. CLAIR COUNTY, ILLINOIS

REV.	DATE	DESCRIPTION
△		
△		
△		

DRAWN BY: JUV	SHEET
DESIGNED BY: JUV	13
CHECKED BY: MJK	OF 46
APPROVED BY: JUV	PROJECT DESCRIPTION:
PROJECT NUMBER: 119100072A	
<input checked="" type="checkbox"/> ISSUED FOR REVIEW	<input type="checkbox"/> ISSUED FOR BIDDING
<input type="checkbox"/> ISSUED FOR CONSTRUCTION RECORD	<input type="checkbox"/> DRAWING

P:\10072A\10072A.dwg (Phase 2B) Plot: 10072A-EROS.dwg Plotted By: jmmw@tbc.com