

ROUTE	SECTION	COUNTY
	1E-0008(156)	ST. CLAIR
CONTRACT NO.	97500	ILLINOIS
FEDERAL AID PROJECT		

**THOUVENOT, WADE & MOERCHEN, INC.**  
ENGINEERS • SURVEYORS • PLANNERS

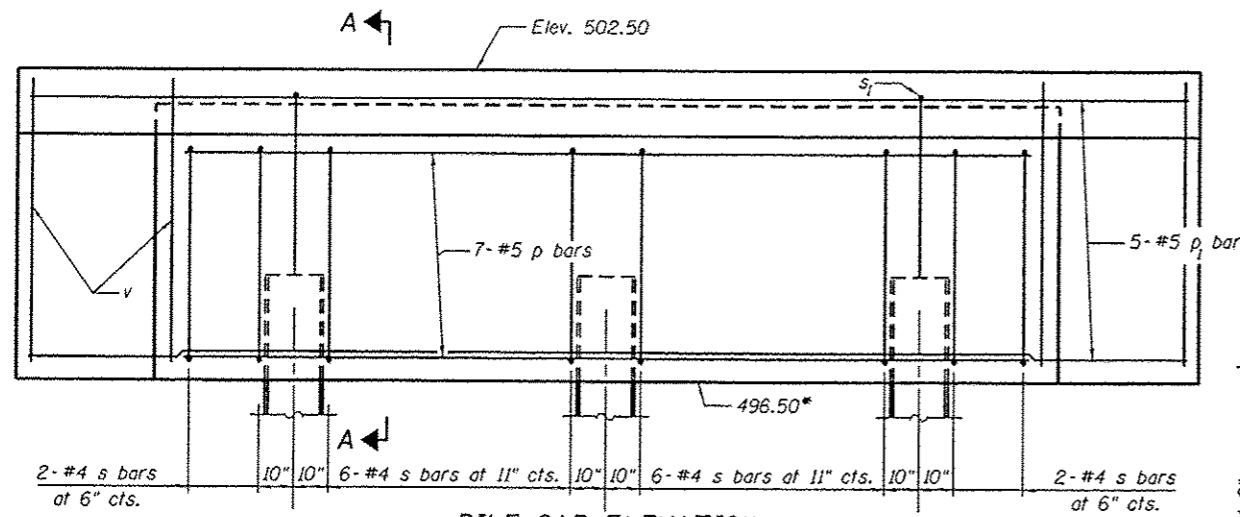


- CORPORATE OFFICE  
4940 OLD COLLINGSVILLE RD.  
SWANSEA, ILLINOIS 62226  
TEL (618) 624-4488  
FAX (618) 624-6688  
info@twm-inc.com
- EDWARDSVILLE OFFICE  
10158 CENTURY DRIVE  
EDWARDSVILLE, ILLINOIS 62025  
TEL (618) 656-4040  
FAX (618) 656-4343  
info@twm-inc.com
- ST. CHARLES OFFICE  
400 NORTH 5TH ST., SUITE 101  
ST. CHARLES, MISSOURI 63301  
TEL (636) 724-8300  
FAX (636) 724-8304  
info@twm-inc.com
- ST. LOUIS OFFICE  
720 OLIVE ST., SUITE 200A  
ST. LOUIS, MO 63101  
TEL (314) 421-6300  
info@twm-inc.com
- WATERLOO OFFICE  
113 SOUTH MAIN STREET  
WATERLOO, ILLINOIS 62298  
TEL (618) 939-5050  
FAX (618) 939-3938  
info@twm-inc.com

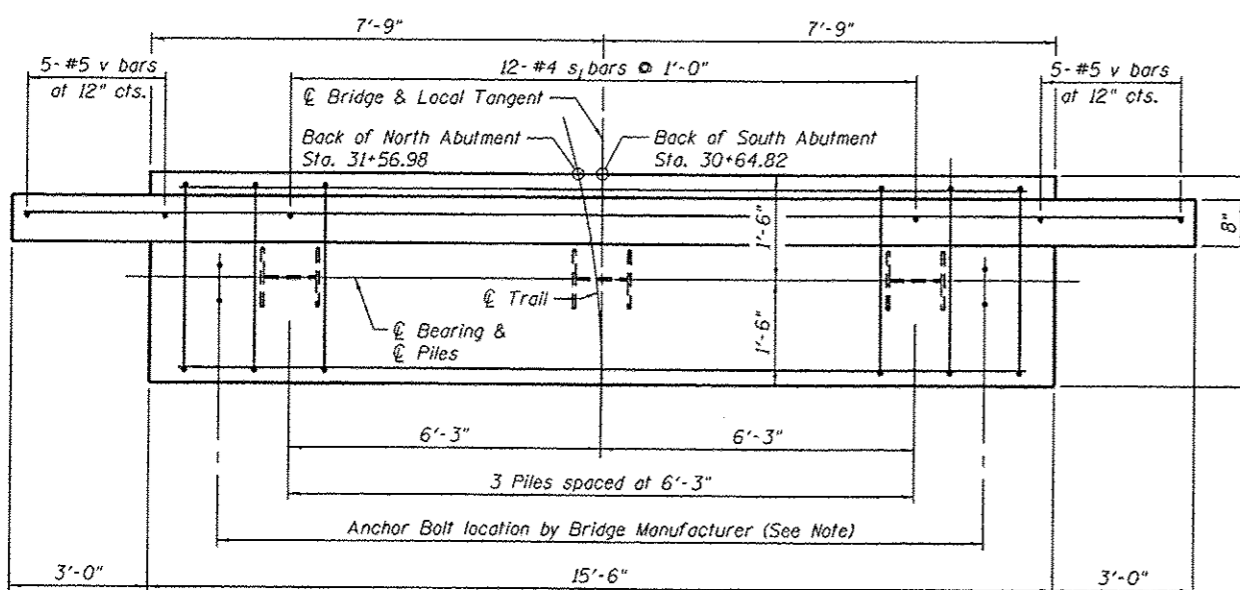
PROFESSIONAL REGISTRATIONS	LICENSE NO.
ILLINOIS PROFESSIONAL DESIGN FIRM	181-001220
PROFESSIONAL ENGINEERING CORP.	02-055270
PROFESSIONAL STRUCTURAL ENGR. CORP.	81-005202
ILLINOIS PROF. LAND SURVEYING CORP.	048-000028
MISSOURI PROFESSIONAL ENGR. CORP.	NO. 001528
MISSOURI LAND SURVEYING CORP.	NO. 000346

**PILE DATA**

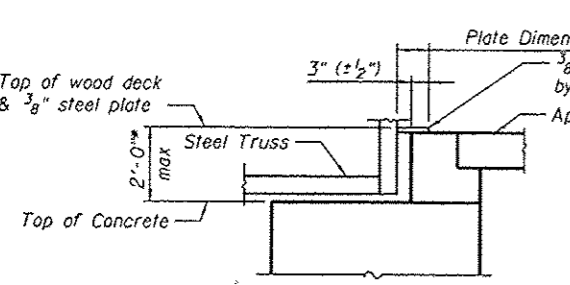
Type: HP 10x42  
Nominal Required Bearing: 335 kips  
Factored Resistance Available: 171 kips  
Est. Length: 47 ft  
No. Production Piles: 4  
No. Test Piles: 2 (1 at each abut.)



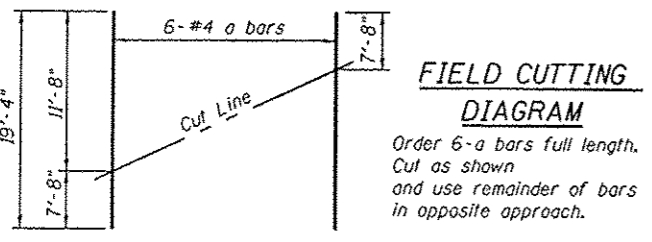
**PILE CAP ELEVATION**  
\* Indicated elevation will be coordinated with backwall requirements of bridge fabricator.



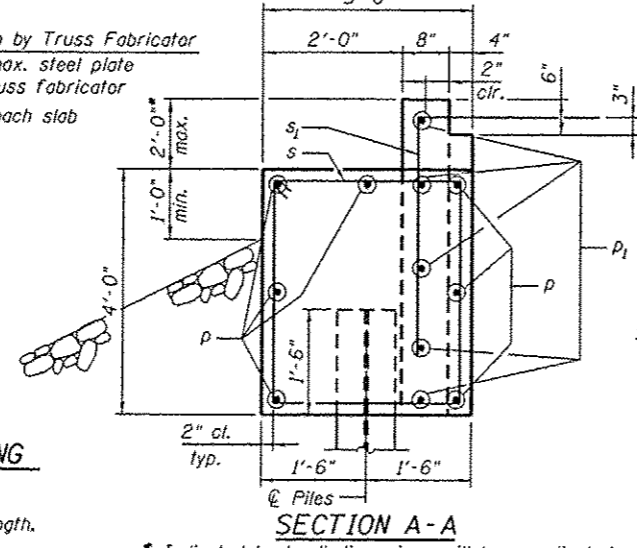
**PILE CAP PLAN**



**APPROACH DETAIL**  
(Fixed and Expansion Abutments)

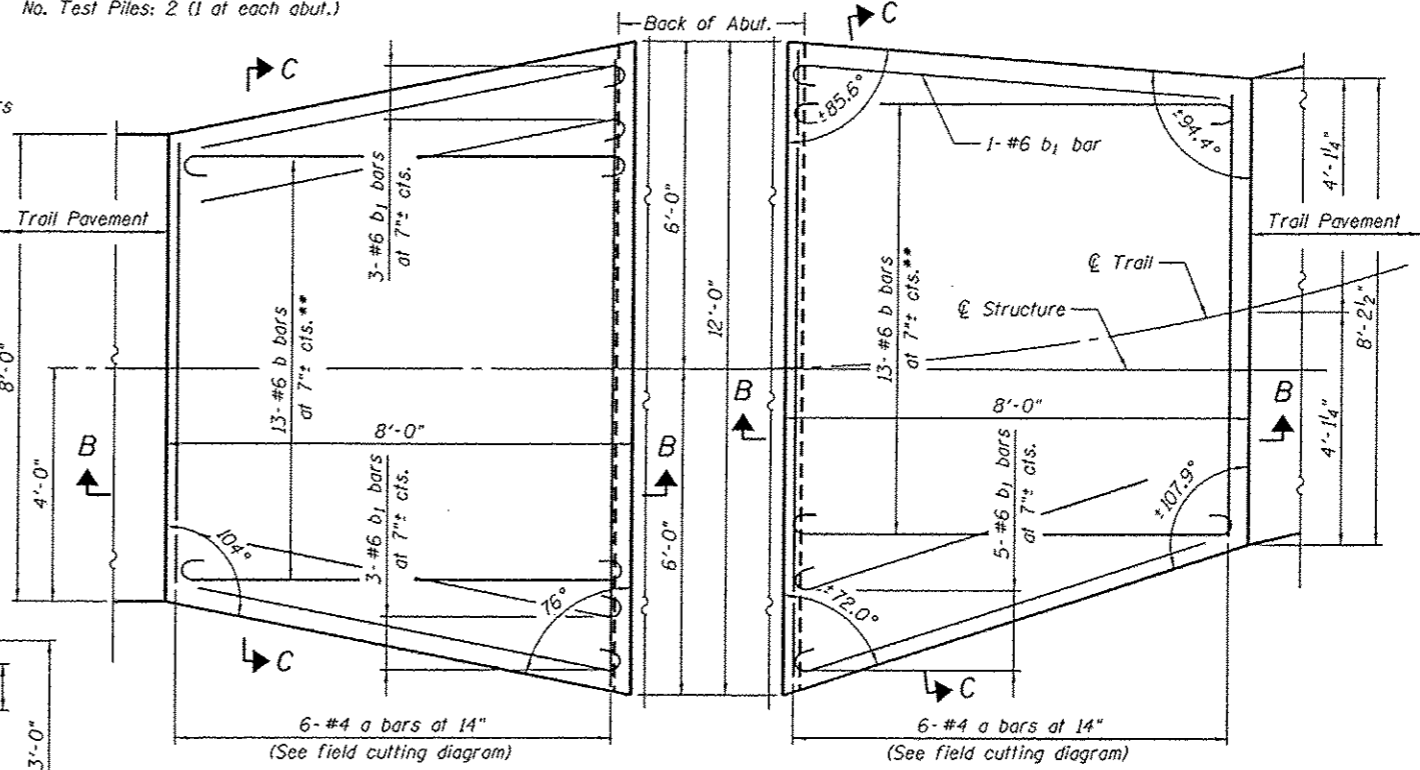


**FIELD CUTTING DIAGRAM**  
Order 6-a bars full length. Cut as shown and use remainder of bars in opposite approach.



**SECTION A-A**

\* Indicated backwall dimensions will be coordinated with requirements of bridge fabricator. Estimated quantities and bar dimensions based on dimensions shown.



**APPROACH SLAB PLAN**

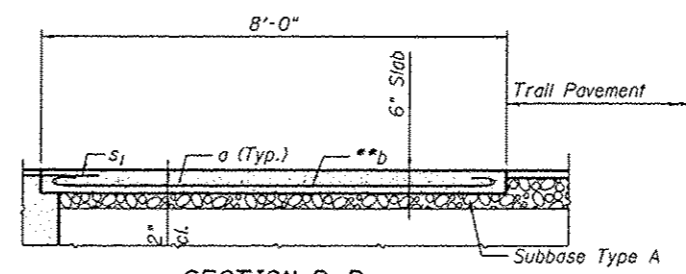
South Approach

\*\* Till #6 b bars as required to maintain clearance.

**APPROACH SLAB PLAN**

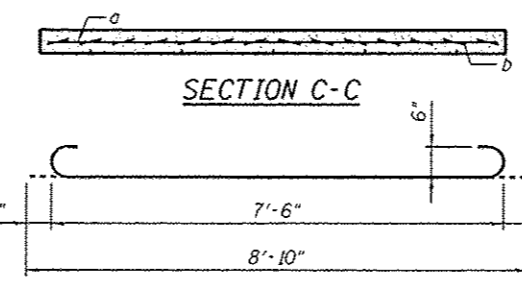
North Approach

\*\* Till #6 b bars as required to maintain clearance.

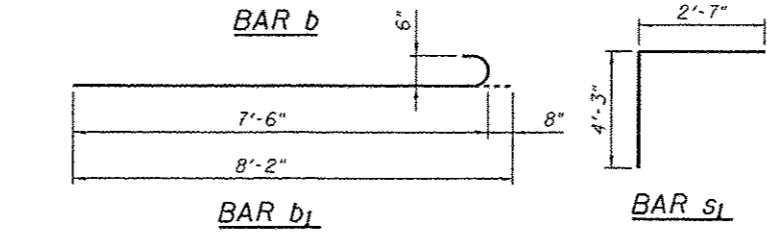


**SECTION B-B**

\*\* Till #6 b bars as required to maintain clearance.



**SECTION C-C**



**BILL OF MATERIAL**  
(2 Abut. & 2 Appr.)

Bar	No.	Size	Length	Shape
p	14	#5	15'-2"	—
p1	10	#5	21'-3"	—
s	32	#4	13'-5"	□
s1	24	#4	8'-10"	□
v	20	#5	5'-7"	—
b	26	#6	8'-10"	—
b1	12	#6	8'-2"	—
a	6	#4	19'-4"	—
Item	Unit	Quantity		
Structure Excavation	Cu Yd	14		
Concrete Structures	Cu Yd	21		
Reinforcement Bars	Pound	1520		
Furnishing Steel Piles, HP10x42	Foot	188		
Test Pile Steel, HP10x42	Each	2		
Driving Piles	Foot	188		

**NOTES:**  
Spacing of s bars at each end of pile cap should be modified to avoid anchor bolts.  
Size, number and location of anchor bolts are to be based on the approved shop drawings for the Pedestrian Truss Superstructure.  
Items in the Bill of Material will not be paid for separately, but are included in the cost of Pedestrian Truss Superstructure.

**ABUTMENT AND APPROACH SLAB DETAILS**  
SECTION 10-00032-00-BT  
RICHLAND CREEK BIKEWAY  
VILLAGE OF SWANSEA  
ST. CLAIR COUNTY, ILLINOIS

REV.	DATE	DESCRIPTION
△		
△		
△		

DRAWN BY: JTH	SHEET
DESIGNED BY: JTH	<b>22</b>
CHECKED BY: ALN	OF 46 SHEETS
APPROVED BY: ALN	PROJECT DESCRIPTION
PROJECT NUMBER: 100072A	
ISSUED FOR REVIEW	ISSUED FOR BIDDING
ISSUED FOR CONSTR.	RECORD DRAWING