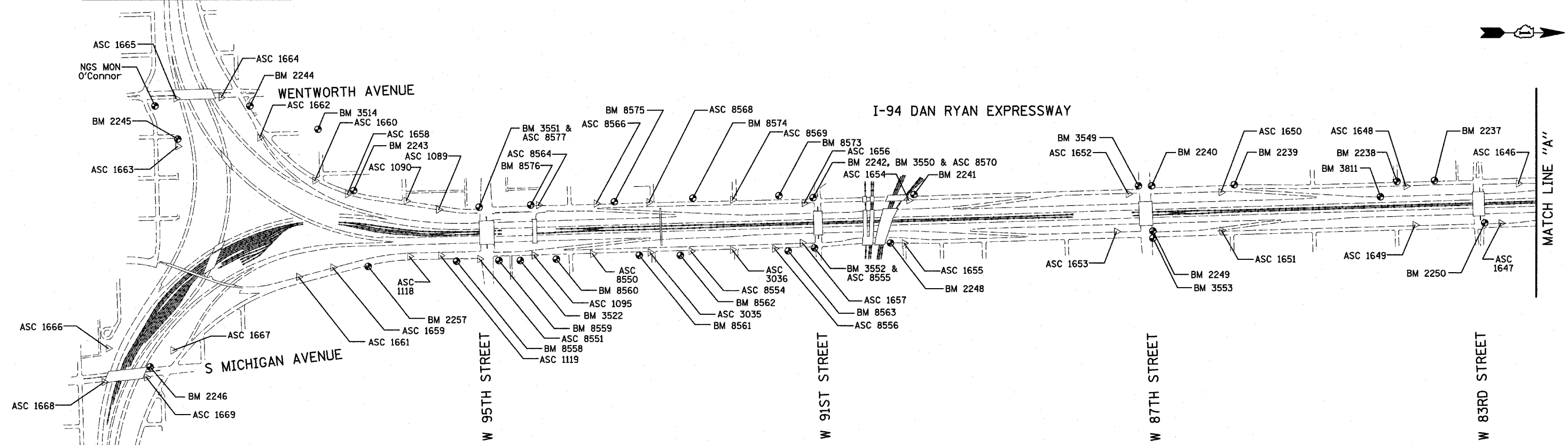
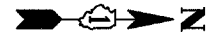
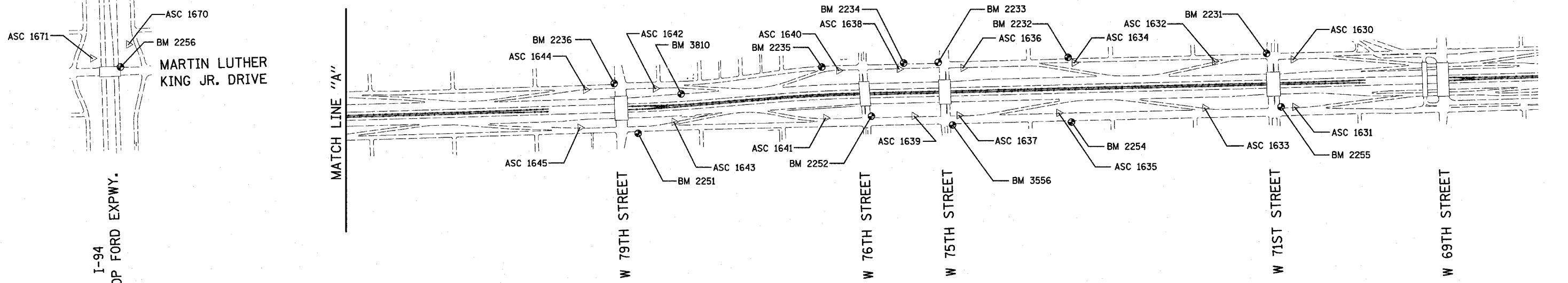
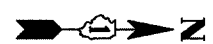


I-57
EXPWAY
SEE SHEET 2 OF 7
MATCH LINE "B"



MATCH LINE "A"

I-94 DAN RYAN EXPRESSWAY



MATCH LINE "A"

I-94
BISHOP FORD EXPWAY.

REVISIONS	
NAME	DATE

ILLINOIS DEPARTMENT OF TRANSPORTATION
F.A.I. 94 (DAN RYAN EXPRESSWAY)
SURVEY TIES FOR CONTROL POINTS
SHEET 1 OF 7
SCALE: 1"=400'
DATE: MARCH 1, 2006
DRAWN BY: GSP
CHECKED BY: MMW