

DESIGN SPECIFICATION

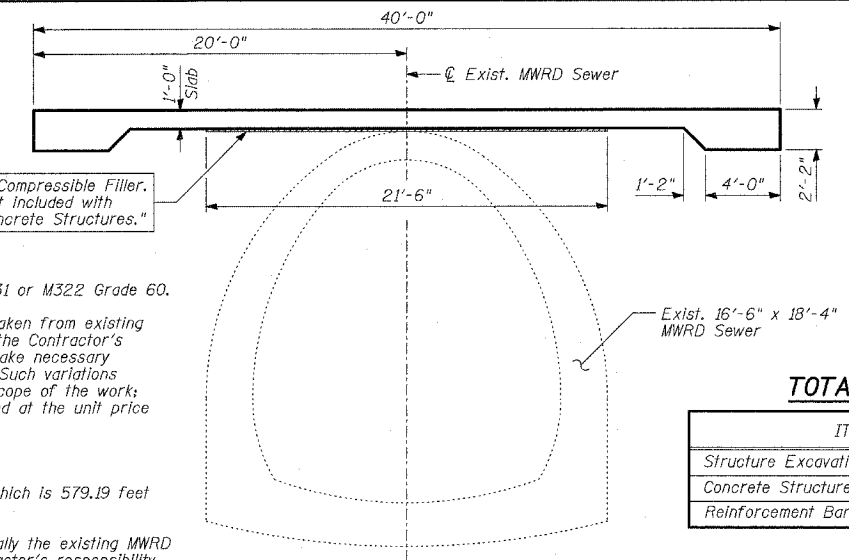
AASHTO 2002 Standard Specifications
For Highway Bridges

DESIGN STRESSES

FIELD UNITS
f'c = 3,500 psi
fy = 60,000 psi (Reinforcement)

NOTES:

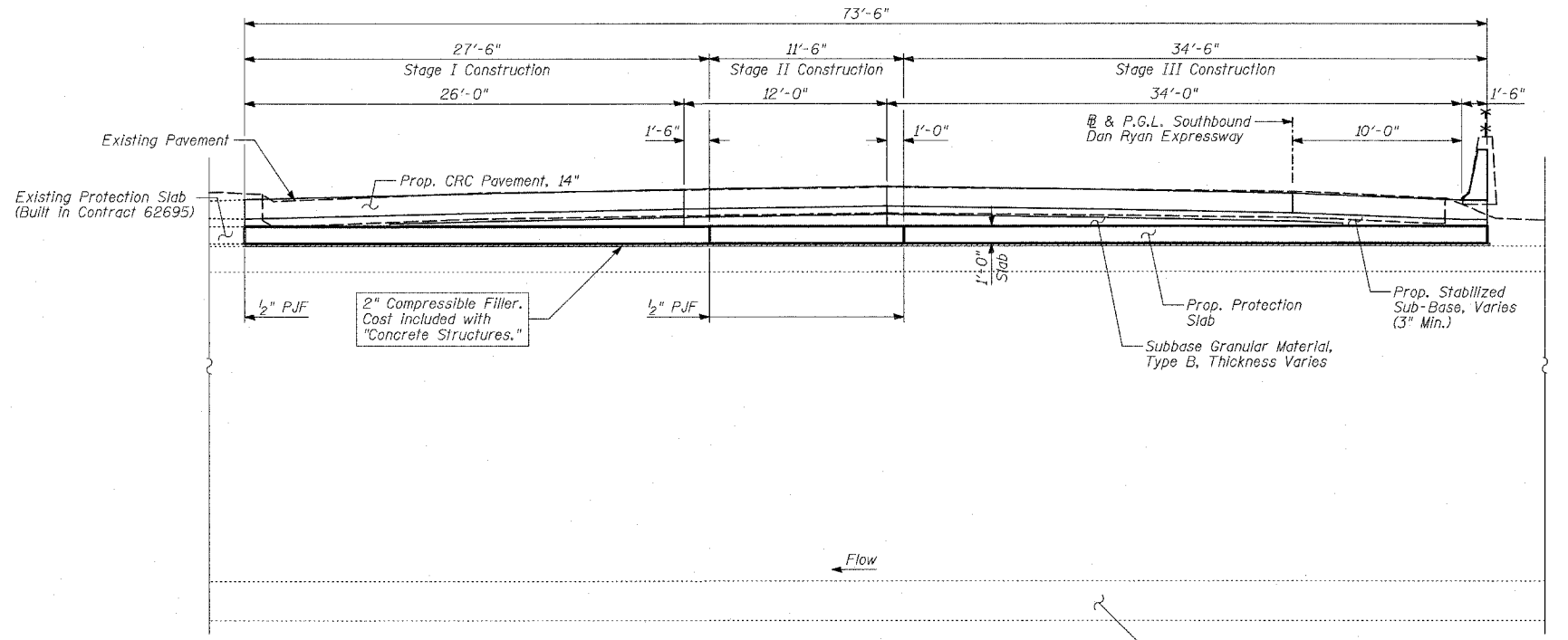
1. Reinforcement bars shall conform to the requirements of AASHTO M31 or M322 Grade 60.
2. Plan dimensions and details relative to existing structure have been taken from existing plans and are subject to nominal construction variations. It shall be the Contractor's responsibility to verify such dimensions and details in the field and make necessary approved adjustments prior to construction or ordering of materials. Such variations shall not be cause for additional compensation for a change in the scope of the work; however, the Contractor will be paid for the quantity actually furnished at the unit price bid for the work.
3. All exposed concrete edges shall be chamfered 3/4" except as noted.
4. All elevations shown are based on the Chicago City Datum of 0.00, which is 579.19 feet above mean tide New York. (NAVD 88)
5. It is the Contractor's responsibility to locate existing utilities, especially the existing MWRD Sewer. Any repairs due to damage of any utilities shall be the Contractor's responsibility.
6. The Contractor should take extreme caution for the safety and integrity of the sewer during the construction process.
7. Vacuum or hand digging should be used within 2'-0" of sewer.



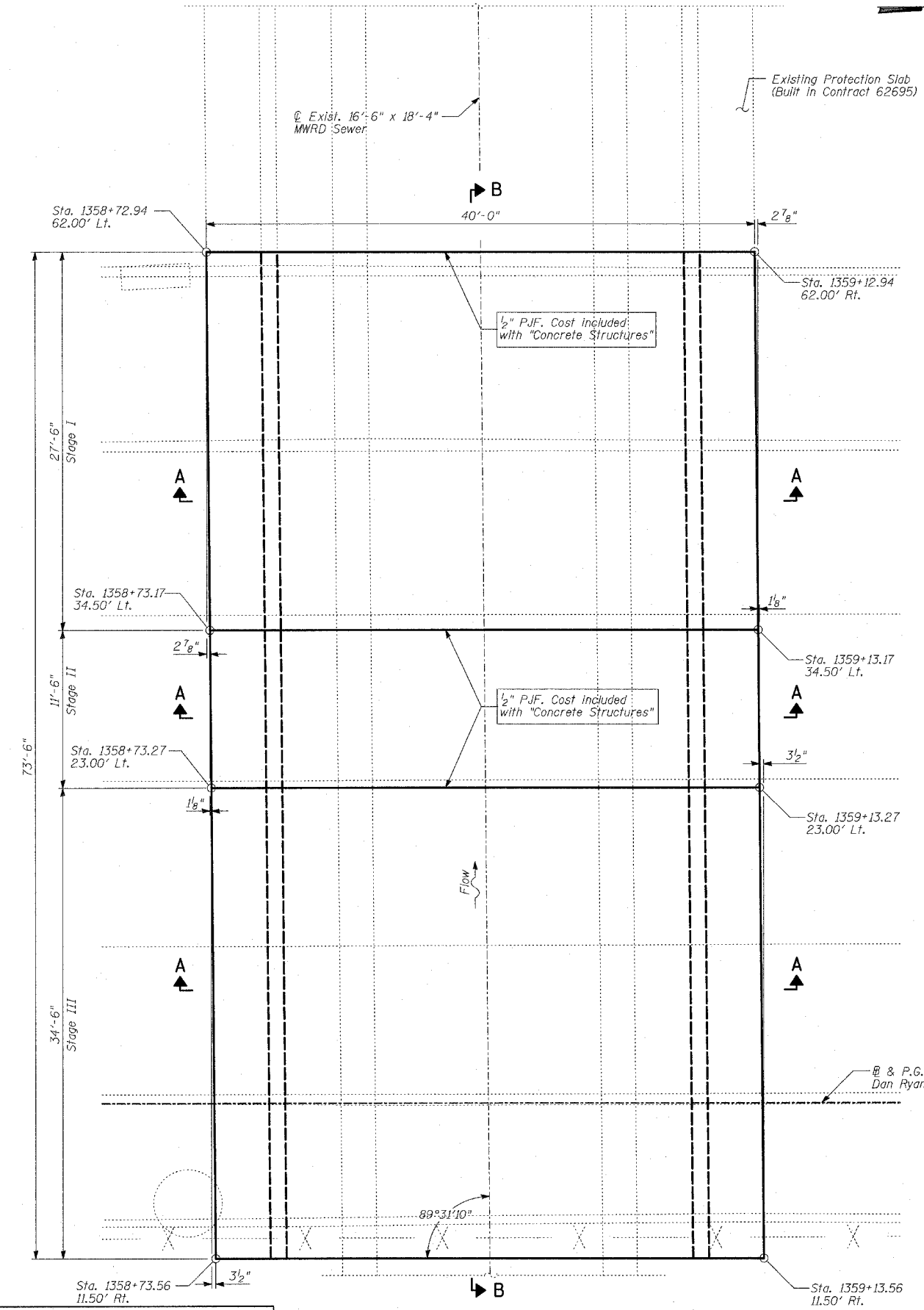
SECTION A-A

TOTAL BILL OF MATERIAL

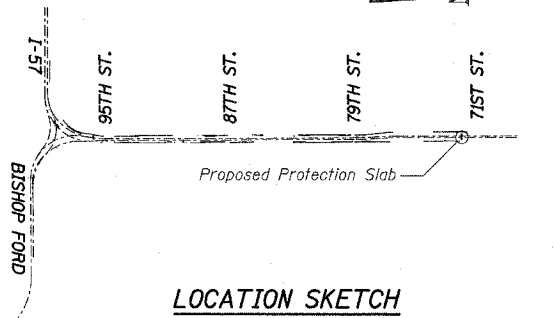
ITEM	UNIT	TOTAL
Structure Excavation	CU YD	260
Concrete Structures	CU YD	139
Reinforcement Bars, Epoxy Coated	POUND	30,470



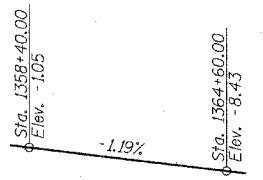
SECTION B-B



PLAN



LOCATION SKETCH



PROFILE GRADE
(S.B. I-94)



Signed *Phillip D. Frey*
Phillip D. Frey, E.E., II. Lic. No. 081-004826
Expires 11-30-2006
Date 3/1/06

For drawings 1 thru 3 of 3

REVISIONS	
NAME	DATE

ILLINOIS DEPARTMENT OF TRANSPORTATION
F.A.I. 94 (DAN RYAN EXPRESSWAY)

**PROTECTION SLAB FOR EXISTING
16'-6" X 18'-4" MWRD SEWER
STA. 1358+93.46**

S.N. DESIGNED BY: MAF, DJR
SCALE: DRAWN BY: MAF, DJR
DATE: MARCH 1, 2006 CHECKED BY: MI