

F.A. RTE.	SECTION	COUNTY	TOTAL SHEETS	SHEET NO.
	2015-003TS	ILLINOIS	*59	1
			CONTRACT NO. 62A56	

D-91-249-15 *59 + 4 = 63

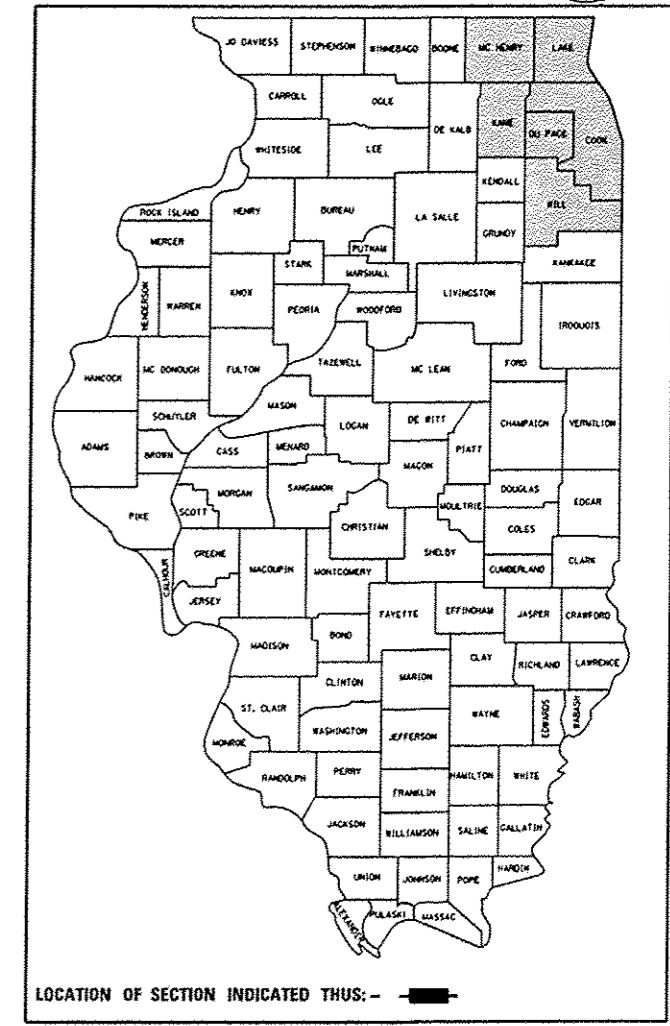
STATE OF ILLINOIS
DEPARTMENT OF TRANSPORTATION
DIVISION OF HIGHWAYS

**PROPOSED
HIGHWAY PLANS**

VARIOUS LOCATIONS IN DISTRICT 1
CONTRACT NO. 2
SECTION: 2015-003TS
LIGHT EMITTING DIODE (LED) INSTALLATION
VARIOUS COUNTIES

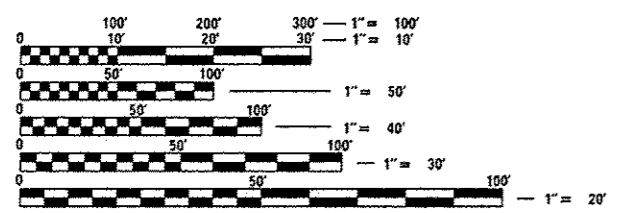
C-91-249-15

FOR INDEX OF SHEETS, SEE SHEET NO. 2



FOR LOCATION MAP
SEE SHEETS NO. 4-12

VARIOUS TOWNSHIPS



FULL SIZE PLANS HAVE BEEN PREPARED USING STANDARD ENGINEERING SCALES. REDUCED SIZED PLANS WILL NOT CONFORM TO STANDARD SCALES. IN MAKING MEASUREMENTS ON REDUCED PLANS, THE ABOVE SCALES MAY BE USED.

J.U.L.I.E.
JOINT UTILITY LOCATION INFORMATION FOR EXCAVATION
1-800-892-0123
OR 811

PROJECT ENGINEER: IOVAN PLASCENCIA / LUKASZ POCIECHA / SHARDAY SMITH
PROJECT MANAGER: DARYLE DREW (847) 705-4424

CONTRACT NO. 62A56

STATE OF ILLINOIS
DEPARTMENT OF TRANSPORTATION

SUBMITTED March 25 2014
Jylee Robinson REGIONAL ENGINEER

Maureen M. Addis, P.E.
ENGINEER OF DESIGN AND ENVIRONMENT

Maureen M. Addis 2
DIRECTOR OF PROGRAM DEVELOPMENT

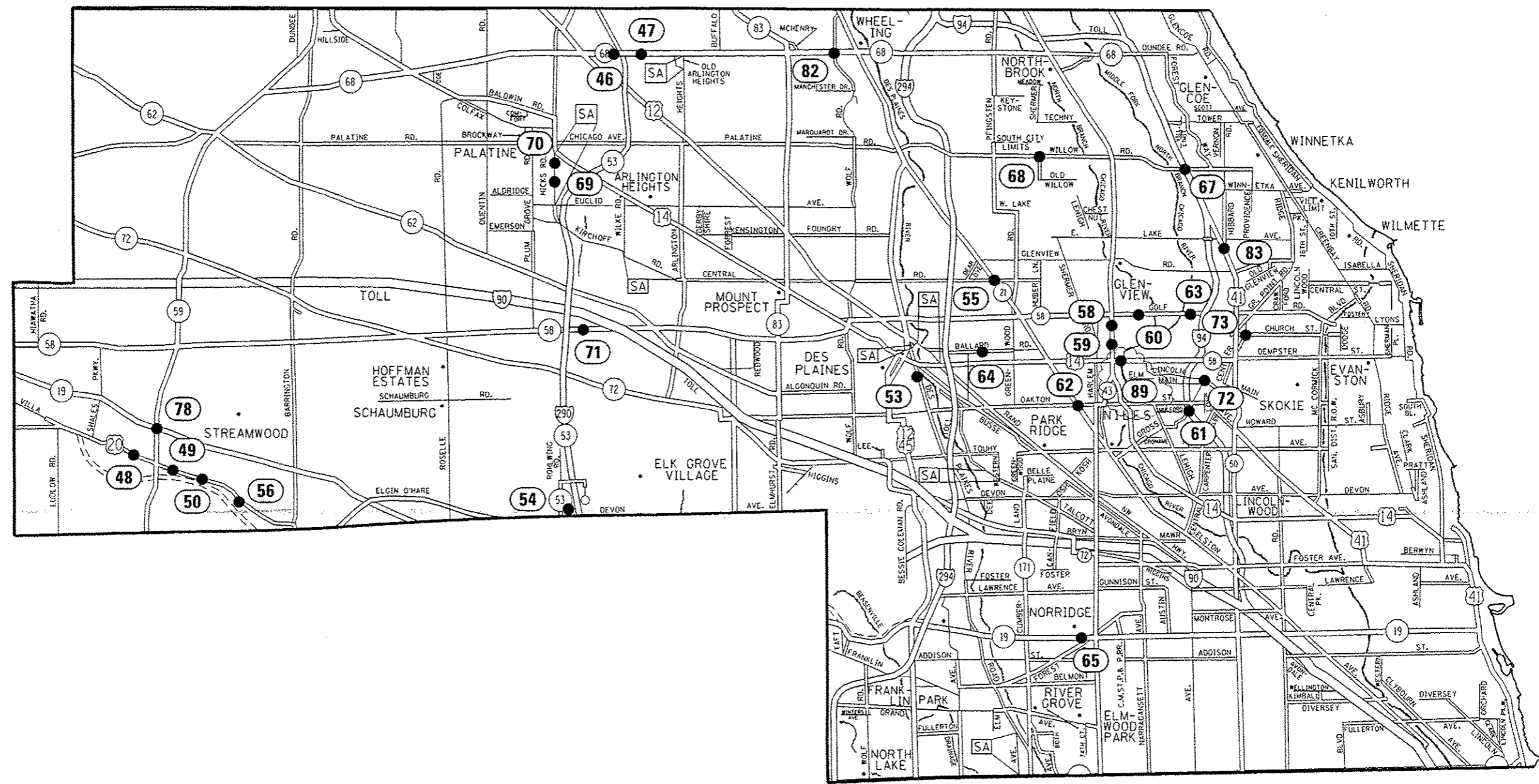
PRINTED BY THE AUTHORITY
OF THE STATE OF ILLINOIS

Rev. 6-1-14

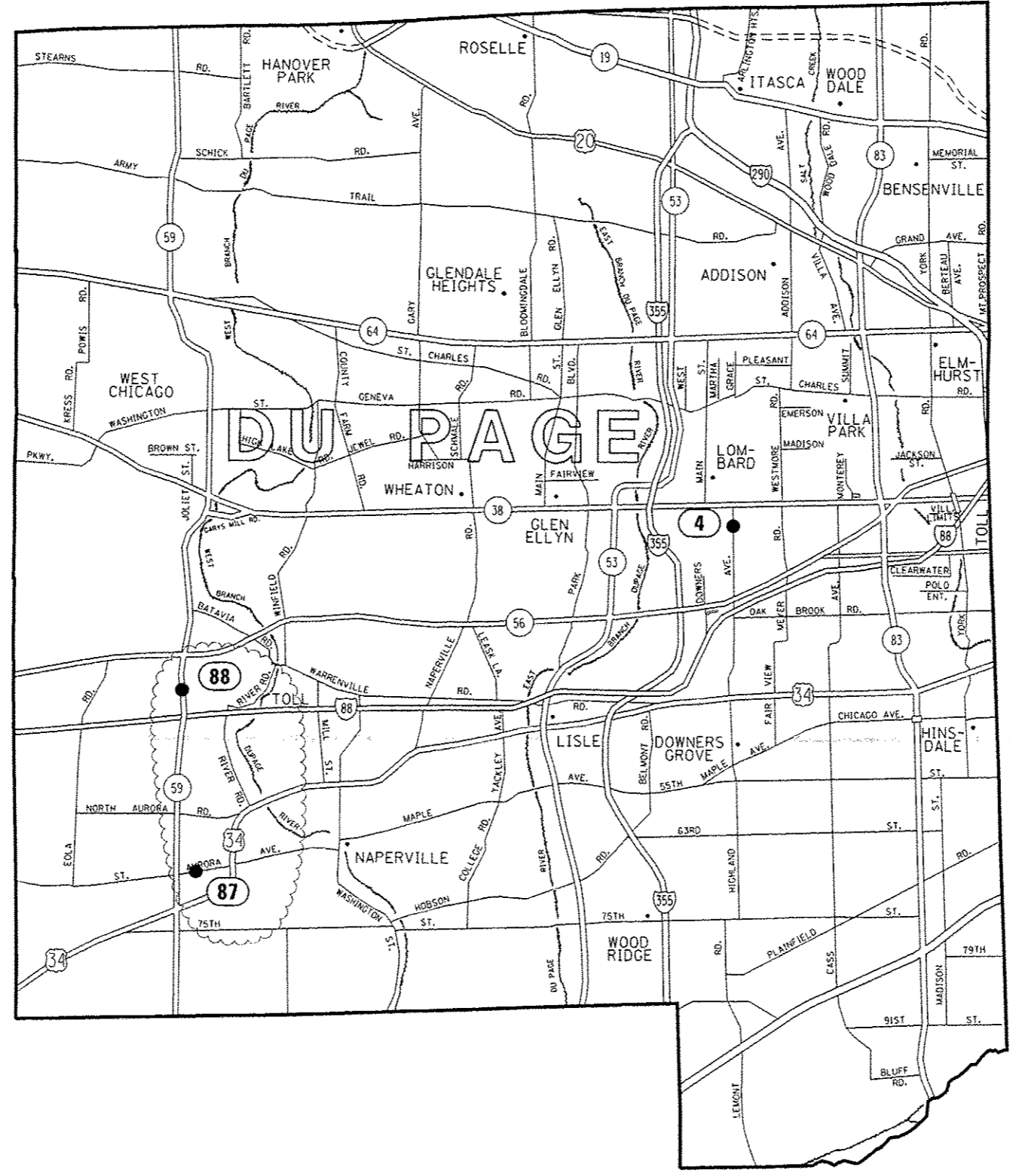
LOC. NO.	TS NO.	INTERSECTION NAME	MUNICIPALITY	COUNTY
1	1011	123RD ST (MCCARTHY RD) AT WOLF RD	PALOS PARK	COOK
2	3840	55TH ST AT COUNTY LINE RD	HINSDALE	COOK
3	1480	US RTE 34 (OGDEN AVE) AT WOLF RD	WESTERN SPRINGS	COOK
4	8325	HIGHLAND AVE AT 15TH ST	LOMBARD	DUPAGE
5	21940	IL RTE 120 (BELVIDERE RD) AT GILMER RD	VOLO	LAKE
6	11705	IL RTE 60 AT I-94 E RAMP	METTAWA	LAKE
7	11706	IL RTE 60 AT I-94 W RAMP	METTAWA	LAKE
8	11700	IL RTE 60 AT RIVERWOODS BLVD / BRADLEY RD	LAKE FOREST	LAKE
9	20530	IL RTE 60 AT SAUNDERS RD / FIELD CT	LAKE FOREST	LAKE
10	6511	US RTE 12 / IL RTE 59 AT VOLO VILLAGE RD	VOLO	LAKE
11	7741	IL RTE 176 AT NEWPORT CT	ISLAND LAKE	MCHENRY
12	FL830	IL RTE 47 AT IL RTE 173	HEBRON	MCHENRY
13	15087	IL RTE 47 AT IRVING AVE / JUDD ST	WOODSTOCK	MCHENRY
14	7257	US RTE 14 AT COG CIRCLE	CRYSTAL LAKE	MCHENRY
15	11525	US RTE 14 AT CRYSTAL POINT MALL	CRYSTAL LAKE	MCHENRY
16	7250	US RTE 14 AT MAIN ST	CRYSTAL LAKE	MCHENRY
17	7255	US RTE 14 AT PINGREE RD	CRYSTAL LAKE	MCHENRY
18	11530	US RTE 14 AT TECKLER BLVD	CRYSTAL LAKE	MCHENRY
19	7393	I-80 SOUTH RAMP AT BRIGGS ST	JOLIET	WILL
20	22556	IL RTE 171 (COLLINS ST) AT OHIO ST	JOLIET	WILL
21	7519	IL RTE 171 (STATE ST) AT 10TH ST	LOCKPORT	WILL
22	7518	IL RTE 171 (STATE ST) AT 2ND ST	LOCKPORT	WILL
23	7516	IL RTE 171 (STATE ST) AT DIVISION ST	LOCKPORT	WILL
24	7550	IL RTE 50 (CICERO AVE) AT GOVERNORS HIGHWAY	UNIVERSITY PARK	WILL
25	21801	IL RTE 53 (SCOTT ST) AT CLAY ST	JOLIET	WILL
26	21800	IL RTE 53 (SCOTT ST) AT OHIO ST	JOLIET	WILL
27	7526	IL RTE 7 (159TH ST) AT FARRELL RD	LOCKPORT	WILL
28	75111	IL RTE 7 (159TH ST) AT I-355 WEST RAMP	LOCKPORT	WILL
29	75112	IL RTE 7 (159TH ST) AT I-355 EAST RAMP	LOCKPORT	WILL
30	7521	IL RTE 7 (9TH ST) AT 7TH ST	LOCKPORT	WILL
31	7523	IL RTE 7 (9TH ST) AT HAMILTON AVE	LOCKPORT	WILL
32	7517	IL RTE 7 (9TH ST) AT IL RTE 171 (STATE ST)	LOCKPORT	WILL
33	7522	IL RTE 7 (9TH ST) AT MADISON ST	LOCKPORT	WILL
34	7524	IL RTE 7 (9TH ST) AT READ ST / LOCH LN	LOCKPORT	WILL
35	4295	IL RTE 7 (LARKIN AVE) AT IL RTE 7 (THEODORE ST)	CREST HILL	WILL
36	7388	NEW LENOX RD AT BRIGGS ST	JOLIET	WILL
37	21780	US RTE 30 (CASS ST) AT EASTERN AVE	JOLIET	WILL
38	22552	US RTE 30 (CASS ST) AT HENDERSON	JOLIET	WILL
39	21803	US RTE 30 (CASS ST) AT IL RTE 53 (SCOTT ST)	JOLIET	WILL
40	21782	US RTE 30 (JEFFERSON ST) AT EASTERN AVE	JOLIET	WILL
41	7415	US RTE 30 (LINCOLN HWY) AT US RTE 45 (LAGRANGE RD)	FRANKFORT	WILL
42	7430	US RTE 30 (PLAINFIELD RD) AT CATON FARM / GAYLORD RD	CREST HILL	WILL
43	7480	US RTE 45 (LAGRANGE RD) AT 191ST ST	MOKENA	WILL
44	21828	US RTE 52 (MCDONOUGH AVE) AT US RTE 52 (RAYNOR AVE)	JOLIET	WILL
45	7386	US RTE 52 AT MANHATTAN RD / FOXFORD DR	MANHATTAN	WILL
46	12155	IL RTE 68 (DUNDEE RD) AT IL RTE 53 WEST RAMPS	ARLINGTON HEIGHTS	COOK
47	12160	IL RTE 68 (DUNDEE RD) AT IL RTE 53 EAST RAMPS	ARLINGTON HEIGHTS	COOK
48	502	US RTE 20 (LAKE ST) AT NAPERVILLE RD	BARTLETT	COOK
49	11270	US RTE 20 (LAKE ST) AT BARTLETT RD	BARTLETT	COOK
50	1325	US RTE 20 (LAKE ST) AT OAK AVE	BARTLETT	COOK
51	4640	IL RTE 31 (BATAVIA AVE) AT MAIN ST	BATAVIA	KANE
52	FL170	IL RTE 31 AT MOOSEHEART ENTRANCE	BATAVIA	KANE
53	13070	DES PLAINES RIVER RD AT PERRY ST	DES PLAINES	COOK
54	13145	IL RTE 53 (ROHLWING RD) AT NERGE RD	ELK GROVE	COOK
55	2005	IL RTE 21 (MILWAUKEE AVE) AT CENTRAL RD	GLENVIEW	COOK
56	6077	US RTE 20 (LAKE ST) AT NORTH AVE/EAST BARTLETT RD	HANOVER PARK	COOK
57	FL210	IL RTE 47 AT MAIN ST	KANEVILLE	KANE
58	14275	IL RTE 43 / IL RTE 58 (WAUKEGAN RD) AT EMERSON ST	MORTON GROVE	COOK
59	14280	IL RTE 43 / IL RTE 58 (WAUKEGAN RD) AT BECKWITH RD	MORTON GROVE	COOK
60	5175	GOLF RD AT GLENVIEW COUNTRY CLUB	MORTON GROVE	COOK

LOC. NO.	TS NO.	INTERSECTION NAME	MUNICIPALITY	COUNTY
61	5255	OAKTON ST AT GROSS POINT RD	MORTON GROVE	COOK
62	5448	OAKTON ST AT RIVER DR	MORTON GROVE	COOK
63	5155	GOLF RD AT HARMS RD	MORTON GROVE	COOK
64	4155	BALLARD RD AT POTTER RD	NILES	COOK
65	10125	IL RTE 43 (HARLEM AVE) AT HARLEM - IRVING PLAZA	NORRIDGE	COOK
66	11483	IL RTE 31 AT IL RTE 56/STATE ST	NORTH AURORA	KANE
67	10595	IL RTE 43 (WAUKEGAN RD) AT KRAFT FOOD/THREE LAKE DRIVE	NORTHBROOK	COOK
68	5930	WILLOW RD AT OLD WILLOW RD	NORTHBROOK	COOK
69	11735	HICKS RD AT HELEN RD	PALATINE	COOK
70	12005	HICKS RD AT SELLSTROM DR	PALATINE	COOK
71	2860	IL RTE 58 (GOLF RD) AT RING RD	ROLLING MEADOWS	COOK
72	5250	GROSS POINT RD AT LARAMIE AVE/CAROL RD	SKOKIE	COOK
73	4870	CHURCH ST AT NILES CENTER RD	SKOKIE	COOK
74	877	IL RTE 64 AT PECK RD	ST CHARLES	KANE
75	875	IL RTE 64 AT RANDALL RD	ST CHARLES	KANE
76	FL857	IL RTE 38 EB AT ST CHARLES ILLINOIS YOUTH CENTER	ST CHARLES	KANE
77	20390	IL RTE 38 AT ST CHARLES MALL	ST CHARLES	KANE
78	1930	IL RTE 59 (NEW SUTTON RD) AT IL RTE 19 (IRVING PARK RD)	STREAMWOOD	COOK
79	868	IL RTE 47 AT WHEELER RD / BLISS RD	SUGAR GROVE	KANE
80	6515	US RTE 12 / IL RTE 59 EAST RAMP AT IL RTE 176	WAUCONDA	LAKE
81	6516	US RTE 12 / IL RTE 59 WEST RAMP AT IL RTE 176	WAUCONDA	LAKE
82	3200	IL RTE 68 (DUNDEE RD) AT WOLF RD	WHEELING	COOK
83	1535	US RTE 41 (SKOKIE BLVD) AT HIBBARD RD	WILMETTE	COOK
84	14205	5TH AVE AT CHICAGO AVE	MAYWOOD	COOK
85	14215	MADISON ST AT 17TH AVE	MAYWOOD	COOK
86	6840	IL RTE 59 AT IL RTE 132 (GRAND AVE)	LAKE VILLA	LAKE
87	21930	AURORA AVE AT NAPER WEST PLAZA / WESTRIDGE CT	NAPERVILLE	DUPAGE
88	11085	IL RTE 59 AT FERRY RD	NAPERVILLE	DUPAGE
89	14290	IL RTE 58 (DEMPSTER ST) AT LEHIGH AVE	MORTON GROVE	COOK

FILE NAME : p:\1108468\INTEG.illinois.gov\PIWD1\Documents\DOT Offices\District 1\Projects\2124915x-shlt-cover.dgn	USER NAME : *USER*	DESIGNED - LP / JP	REVISED - 04/29/2016	STATE OF ILLINOIS DEPARTMENT OF TRANSPORTATION	LOCATION MAP INDEX		F.A. RTE.	SECTION	COUNTY	TOTAL SHEETS	SHEET NO.		
		CHECKED - IP	REVISED - ADD. 05/19/2016		SCALE: NONE	SHEET	OF	SHEETS	STA.	TO STA.	VARIOUS	59	3
											CONTRACT NO. 62A56		
											ILLINOIS FED. AID PROJECT		



FILE NAME :	USER NAME : #USER#	DESIGNED - LP / IP	REVISED - 04/29/2016	STATE OF ILLINOIS DEPARTMENT OF TRANSPORTATION	LOCATION MAP NORTH COOK COUNTY			F.A. RYE.	SECTION	COUNTY	TOTAL SHEETS	SHEET NO.
p:\11\084EBID\INTEG.ILLINOIS.GOV\PIWIDOT\Documents\DOT Offices\District 1\Projects\21215\21215\Traffic\21215\shht-cover.dgn	PROJECT: 21215	CHECKED - IP	REVISED - ADD. 05/19/2016		SCALE: NONE SHEET OF SHEETS STA. TO STA.			2015-00315	VARIOUS	59	4	
#MODELNAME#	PLOT SCALE : #SCALE#	DATE - 03/25/2016	REVISED -					CONTRACT NO. 62A56				
	PLOT DATE : 5/20/2016	DATE - 03/25/2016	REVISED -					ILLINOIS FED. AID PROJECT				



FILE NAME :	USER NAME : #USER#	DESIGNED - LP / IP	REVISED - 04/29/2016	STATE OF ILLINOIS DEPARTMENT OF TRANSPORTATION	LOCATION MAP DUPAGE COUNTY		F.A. RTE.	SECTION	COUNTY	TOTAL SHEETS	SHEET NO.	
p:\11\004EQIDINTEO.illinois.gov\PIDOT\Documents\DOT Offices\District 1\Projects\0124915x-sht-cover.dgn	Documents\DOT Offices\District 1\Projects\0124915x-sht-cover.dgn	CHECKED - IP	REVISED - ADD. 05/19/2016					2015-003TS	VARIOUS	59	7	
#MODELNAME#	PLT DATE : 5/20/2016	DATE - 03/25/2016	REVISED -		SCALE: NONE		SHEET	OF	SHEETS	STA.	TO STA.	ILLINOIS FED. AID PROJECT
CONTRACT NO. 62A56												

CODE NO.	ITEM	UNIT	TOTAL QUANTITY	CONSTRUCTION CODE					
				100% STATE COOK COUNTY	100% STATE DUPAGE COUNTY	100% STATE LAKE COUNTY	100% STATE MCHENRY COUNTY	100% STATE WILL COUNTY	100% STATE KANE COUNTY
				TRAFFIC SIGNALS					
				0021 URBAN					
67000400	ENGINEER'S FIELD OFFICE, TYPE A	CAL MO	6	1	1	1	1	1	1
67100100	MOBILIZATION	LSUM	1	0.3	0.1	0.1	0.1	0.3	0.1
70102635	TRAFFIC CONTROL AND PROTECTION, STANDARD 701701	LSUM	1	0.3	0.1	0.1	0.1	0.3	0.1
85000200	MAINTENANCE OF EXISTING TRAFFIC SIGNAL INSTALLATION	EACH	85	33	3	9	7	27	6
85000500	MAINTENANCE OF EXISTING FLASHING BEACON INSTALLATION	EACH	4				1		3
85700200	FULL-ACTUATED CONTROLLER AND TYPE IV CABINET	EACH	4	2	1	1			
86400100	TRANSCEIVER - FIBER OPTIC	EACH	2			2			
87502440	TRAFFIC SIGNAL POST, GALVANIZED STEEL 10 FT.	EACH	5	1	1			3	
87502480	TRAFFIC SIGNAL POST, GALVANIZED STEEL 14 FT.	EACH	30	11	1			12	6
87502490	TRAFFIC SIGNAL POST, GALVANIZED STEEL 15 FT.	EACH	3	1				2	
87502500	TRAFFIC SIGNAL POST, GALVANIZED STEEL 16 FT.	EACH	39	14			4	15	6
87502520	TRAFFIC SIGNAL POST, GALVANIZED STEEL 18 FT.	EACH	3					2	1
88030012	SIGNAL HEAD, LED, 1-FACE, 1-SECTION, BRACKET MOUNTED	EACH	1						1
88030020	SIGNAL HEAD, LED, 1-FACE, 3-SECTION, MAST-ARM MOUNTED	EACH	84	49		2	2	15	16

FILE NAME :	USER NAME : poorechn	DESIGNED - LP / IP	REVISED - 04/29/2016
p:\11\8846810\INTEG\Illinois.gov\PI00T\Documents\DOT Offices\District IV\Projects\DI24\DRM\Drawings\Traffic\RD124916-rtt-cover.dwg		CHECKED - IP	REVISED -
		DATE - 03/25/2016	REVISED -

**STATE OF ILLINOIS
DEPARTMENT OF TRANSPORTATION**

SUMMARY OF QUANTITIES (SHEET 1 OF 3)			
SCALE: NONE	SHEET NO.	OF SHEETS	STA. TO STA.

F.A. RTE.	SECTION	COUNTY	TOTAL SHEETS	SHEET NO.
	2015-003TS	VARIOUS	59	13
ILLINOIS FED. AID PROJECT			CONTRACT NO. 62A56	

Rev. 6-1-16

14

CODE NO.	ITEM	UNIT	TOTAL QUANTITY	CONSTRUCTION CODE					
				100% STATE COOK COUNTY	100% STATE DUPAGE COUNTY	100% STATE LAKE COUNTY	100% STATE MCHENRY COUNTY	100% STATE WILL COUNTY	100% STATE KANE COUNTY
				TRAFFIC SIGNALS					
				0021 URBAN					
88030050	SIGNAL HEAD, LED, 1-FACE, 3-SECTION, BRACKET MOUNTED	EACH	109	64	5	6	10	24	
88030070	SIGNAL HEAD, LED, 1-FACE, 4-SECTION, BRACKET MOUNTED	EACH	2				2		
88030080	SIGNAL HEAD, LED, 1-FACE, 4-SECTION, MAST ARM MOUNTED	EACH	2				2		
88030100	SIGNAL HEAD, LED, 1-FACE, 5-SECTION, BRACKET MOUNTED	EACH	51	41	1	3	4	2	
88030110	SIGNAL HEAD, LED, 1-FACE, 5-SECTION, MAST-ARM MOUNTED	EACH	44	34	1	3	4	2	
88040370	SIGNAL HEAD, POLYCARBONATE, LED, 3-FACE, 1-SECTION, MAST ARM MOUNTED	EACH	1					1	
88055150	OPTICALLY PROGRAMMED SIGNAL HEAD, LED, 1-FACE, 3-SECTION, BRACKET MOUNTED	EACH	4	4					
88055160	OPTICALLY PROGRAMMED SIGNAL HEAD, LED, 1-FACE, 3-SECTION, MAST ARM MOUNTED	EACH	3	3					
88055200	OPTICALLY PROGRAMMED SIGNAL HEAD, LED, 1-FACE, 5-SECTION, MAST ARM MOUNTED	EACH	1	1					
88102710	PEDESTRIAN SIGNAL HEAD, LED, 1-FACE, BRACKET MOUNTED	EACH	4	4					
88102717	PEDESTRIAN SIGNAL HEAD, LED, 1-FACE, BRACKET MOUNTED WITH COUNTDOWN TIMER	EACH	118	68	16		4	30	
88200410	TRAFFIC SIGNAL BACKPLATE, LOUVERED, FORMED PLASTIC	EACH	134	87	3	5	21	18	
88500100	INDUCTIVE LOOP DETECTOR	EACH	30	10	20				
88800100	PEDESTRIAN PUSH-BUTTON	EACH	128	48	2	20	32	26	
89500100	RELOCATE EXISTING SIGNAL HEAD	EACH	71	13	1	6	47	4	

FILE NAME *	USER NAME * pccrachel	DESIGNED - LP / IP	REVISED - 04/29/2016
p:\11084EBIDINTEG\Illinois\p\WIDOT\Documents\1007 Offices\District 1\Projects\012410\Drawings\Traffic\0124915x-shr-cover.dgn		CHECKED - IP	REVISED -
PLOT SCALE * 1/8"=1'-0"		DATE - 03/25/2016	REVISED -
PLOT DATE * 4/29/2016			

STATE OF ILLINOIS
DEPARTMENT OF TRANSPORTATION

SUMMARY OF QUANTITIES
(SHEET 2 OF 3)

SCALE: NONE SHEET NO. OF SHEETS STA. TO STA.

Rev. 6-1-16

F.A. RTE.	SECTION	COUNTY	TOTAL SHEETS	SHEET NO.
	2015-003TS	VARIOUS	59	14
CONTRACT NO. 62A56			[ILLINOIS] FED. AID PROJECT	

CODE NO.	ITEM	UNIT	TOTAL QUANTITY	CONSTRUCTION CODE						
				100% STATE COOK COUNTY	100% STATE DUPAGE COUNTY	100% STATE LAKE COUNTY	100% STATE MCHENRY COUNTY	100% STATE WILL COUNTY	100% STATE KANE COUNTY	
				TRAFFIC SIGNALS						
				0021						
				URBAN						
89500200	RELOCATE EXISTING PEDESTRIAN SIGNAL HEAD	EACH	32	2			4		26	
89500400	RELOCATE EXISTING PEDESTRIAN PUSH-BUTTON	EACH	14	3					11	
89502210	MODIFY EXISTING CONTROLLER CABINET	EACH	44	24	1	▲	6	1	7	5
89502375	REMOVE EXISTING TRAFFIC SIGNAL EQUIPMENT	EACH	78	25	3	▲	8	8	25	9
X8570226	FULL-ACTUATED CONTROLLER AND TYPE IV CABINET, SPECIAL	EACH	3	1			2			
X8800025	SIGNAL HEAD, LED, 1-FACE, 3-SECTION, SPAN WIRE MOUNTED	EACH	20						16	4
X8800041	SIGNAL HEAD, LED, 1-FACE 4-SECTION, SPAN WIRE MOUNTED	EACH	2						2	
X8800046	SIGNAL HEAD, LED, 1-FACE 5-SECTION, SPAN WIRE MOUNTED	EACH	12						4	8
X8800081	SIGNAL HEAD, LED, 4-FACE, 1-SECTION, SPAN WIRE MOUNTED	EACH	2					1		1
X8880015	PEDESTRIAN PUSH-BUTTON, NON-LATCHING	EACH	56	23	9	▲			21	3
Z0050400	REMOVE AND REPLACE ANCHOR BOLTS	EACH	80	27	2			4	34	13
X0320021	MODIFY EXISTING TYPE "D" FOUNDATION	EACH	3	2	1					
X8620250	UNINTERRUPTABLE POWER SUPPLY AND CABINET, SPECIAL	EACH	45	24	2	▲	8	1	6	4

▲ Rev. 6-1-16

FILE NAME =	USER NAME = papachol	DESIGNED - LP / JP	REVISED - 04/29/2016
Documents\100T Offices\District 1\Projects\0124915\Traffic\0124915-4\shk-cover.dgn		CHECKED - JP	REVISED -
		DATE - 03/25/2016	REVISED -

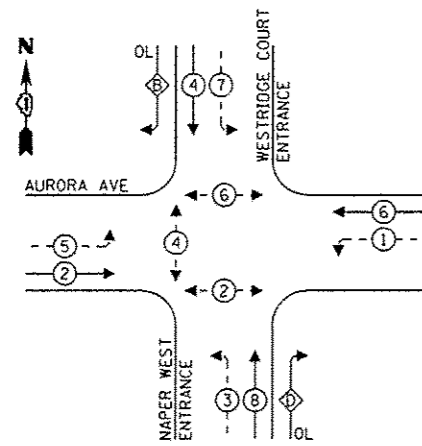
STATE OF ILLINOIS
DEPARTMENT OF TRANSPORTATION

SUMMARY OF QUANTITIES
(SHEET 3 OF 3)

F.A. RTE.	SECTION	COUNTY	TOTAL SHEETS	SHEET NO.
	2015-003TS	VARIOUS	59	15
CONTRACT NO. 62A56			ILLINOIS FED. AID PROJECT	

SCALE: NONE	SHEET NO. OF SHEETS	STA. TO STA.
-------------	---------------------	--------------

EXISTING CONTROLLER SEQUENCE



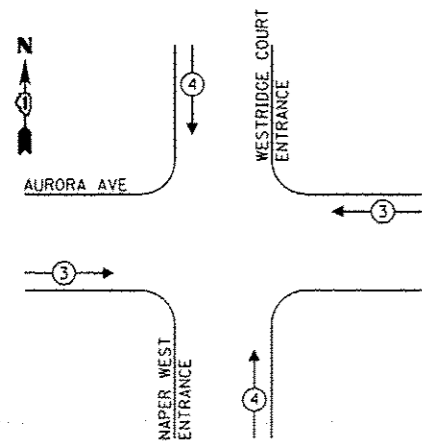
LEGEND:

- ← (P) → PROTECTED PHASE
- ← (P) - - (P) → PROTECTED/PERMITTED PHASE
- ← (P) - - (P) - - (P) → PEDESTRIAN PHASE
- ← (P) - - (P) - - (P) OL → OVERLAP

RIGHT TURN OVERLAP PHASE DESIGNATION:

OVERLAP LETTER	PERMISSIVE PHASE	PROTECTED PHASE
B	4	5
D	8	1

EXISTING EMERGENCY VEHICLE PREEMPTION SEQUENCE



NOTE:

PUSHBUTTON "A" SHALL PLACE A CALL IN PHASES 2 AND 4
 PUSHBUTTON "B" SHALL PLACE A CALL IN PHASES 4 AND 6

REMOVAL NOTES:

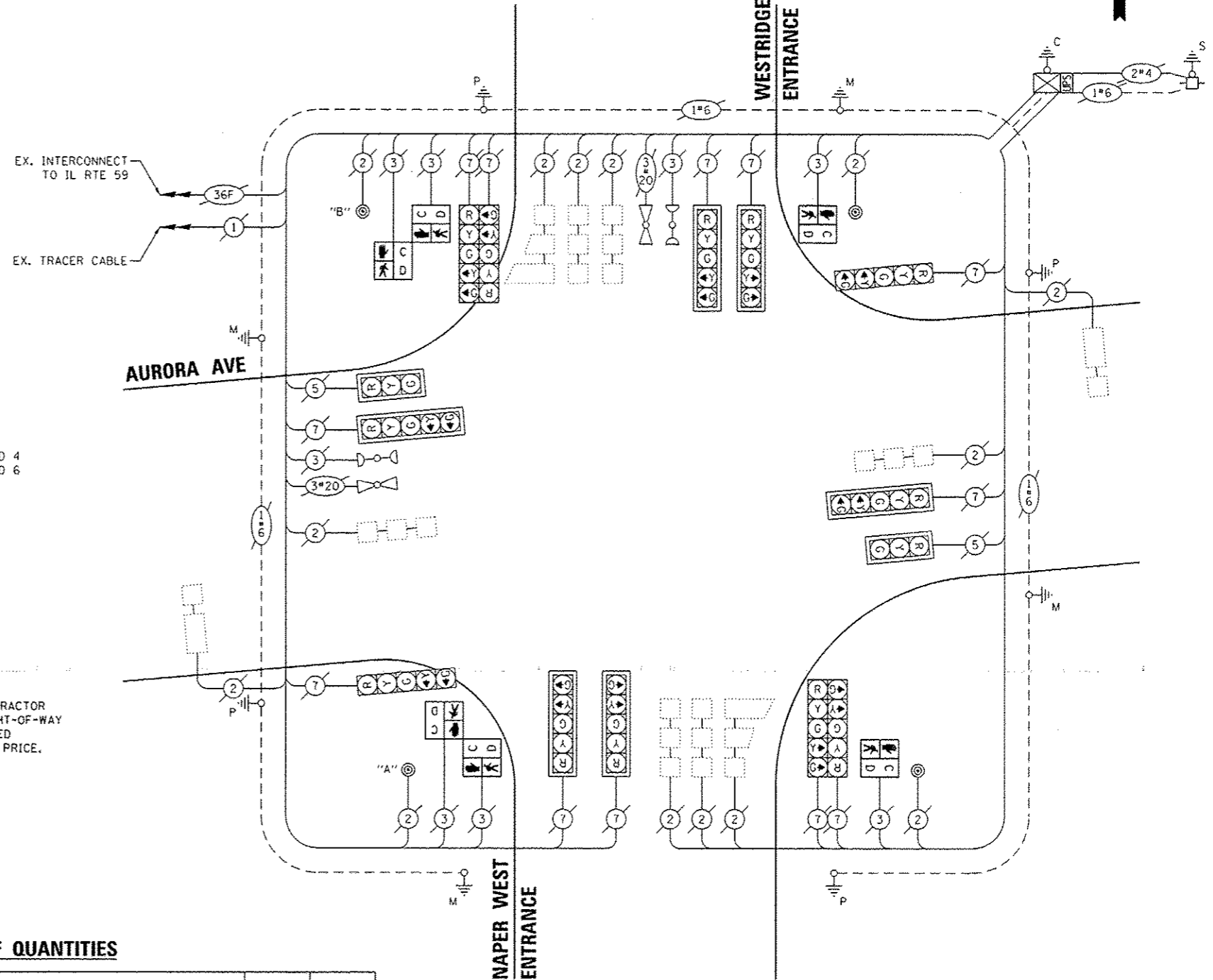
THE FOLLOWING ITEMS SHALL BE REMOVED BY THE CONTRACTOR AND SHALL BE DISPOSED OF BY THEM OUTSIDE THE RIGHT-OF-WAY AT THEIR EXPENSE. THE SALVAGE VALUE OF THE REMOVED EQUIPMENT SHALL BE REFLECTED IN THE CONTRACT BID PRICE.

- 6 EACH PEDESTRIAN SIGNAL HEAD
- 4 EACH PEDESTRIAN PUSH-BUTTON

SCHEDULE OF QUANTITIES

ITEM DESCRIPTION	UNITS	TOTAL QTY.
MAINTENANCE OF EXISTING TRAFFIC SIGNAL INSTALLATION	EACH	1
PEDESTRIAN SIGNAL HEAD, LED, 1-FACE, BRACKET MOUNTED W/ COUNTDOWN TIMER	EACH	6
MODIFY EXISTING CONTROLLER CABINET	EACH	1
REMOVE EXISTING TRAFFIC SIGNAL EQUIPMENT	EACH	1
PEDESTRIAN PUSH-BUTTON, NON-LATCHING	EACH	4
UNINTERRUPTIBLE POWER SUPPLY AND CABINET, SPECIAL	EACH	1

CABLE PLAN
(NOT TO SCALE)



TRAFFIC SIGNAL ELECTRICAL SERVICE REQUIREMENTS

TYPE	NO. OF LAMPS	LED WATTAGE	% OPERATION	TOTAL WATTAGE
SIGNAL (RED)	14	11	50	77.0
(YELLOW)	14	20	5	14.0
(GREEN)	14	12	45	45.6
PERMISSIVE ARROW	24	10	10	24.0
PED. SIGNAL	6	20	100	120.0
CONTROLLER	1	100	100	100.0
UPS	1	25	100	25.0
VIDEO SYSTEM	-	150	100	-
BLANK-OUT SIGN	-	25	5	-
FLASHER	-	-	50	-
STREET NAME SIGN	-	120	50	-
TOTAL =				405.6

ENERGY COSTS TO:

CITY OF NAPERVILLE
 400 S EAGLE ST
 NAPERVILLE, IL 60540

ENERGY SUPPLY: CONTACT: NAPERVILLE
 PHONE: 630-420-6131
 COMPANY: NAPERVILLE ELECTRIC
 ACCOUNT NUMBER: ---

FILE NAME: p:\11\084\EBID\ITEG.11\illinois.gov\p\001\do	USER NAME: p\plasoencal	DESIGNED: IP	REVISED: -
PROJECT: 11\084\EBID\ITEG.11\illinois.gov\p\001\do	PROJECT: 11\084\EBID\ITEG.11\illinois.gov\p\001\do	CHECKED: AK	REVISED: -
DATE: 5/23/2016	DATE: 5/19/2016	REVISED: -	REVISED: -

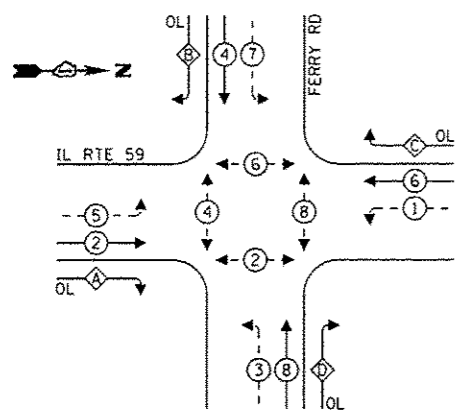
STATE OF ILLINOIS
 DEPARTMENT OF TRANSPORTATION

SCHEDULE OF QUANTITIES, CABLE PLAN, PHASE DESIGNATION DIAGRAM,
 AND EMERGENCY VEHICLE PREEMPTION SEQUENCE
 AURORA AVE AT WESTRIDGE COURT ENTRANCE / NAPER WEST ENTRANCE

F.A.P. RTE. VAR.	SECTION 2015-003TS	COUNTY VARIOUS	TOTAL SHEETS 59	SHEET NO. 59A
CONTRACT NO. 62A56				ILLINOIS FED. AID PROJECT

TS 21930
 ECON 106

EXISTING CONTROLLER SEQUENCE



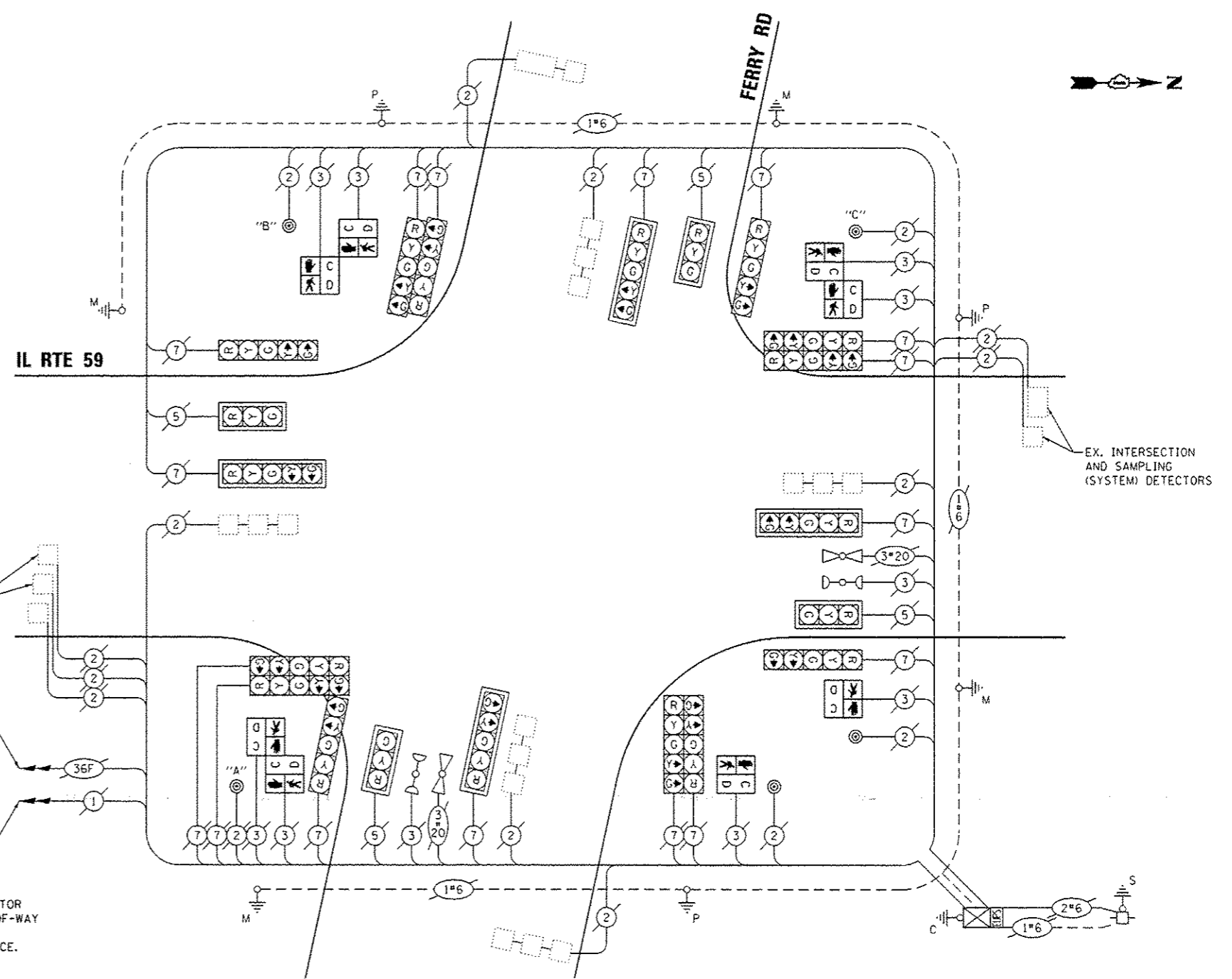
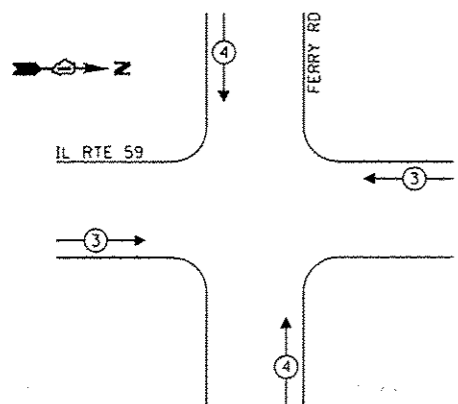
LEGEND:

- ← (circle with star) → PROTECTED PHASE
- ← (circle with star and dash) → PROTECTED/PERMITTED PHASE
- ← (circle with star and arrow) → PEDESTRIAN PHASE
- ← (circle with star and OL) → OVERLAP

RIGHT TURN OVERLAP PHASE DESIGNATION:

OVERLAP LETTER	PERMISSIVE PHASE	PROTECTED PHASE
A	= 2	+ 3
B	= 4	+ 5
C	= 6	+ 7
D	= 8	+ 1

EXISTING EMERGENCY VEHICLE PREEMPTION SEQUENCE



CABLE PLAN
(NOT TO SCALE)

REMOVAL NOTES:

THE FOLLOWING ITEMS SHALL BE REMOVED BY THE CONTRACTOR AND SHALL BE DISPOSED OF BY THEM OUTSIDE THE RIGHT-OF-WAY AT THEIR EXPENSE. THE SALVAGE VALUE OF THE REMOVED EQUIPMENT SHALL BE REFLECTED IN THE CONTRACT BID PRICE.

8 EACH PEDESTRIAN SIGNAL HEAD
5 EACH PEDESTRIAN PUSH-BUTTON

SCHEDULE OF QUANTITIES

ITEM DESCRIPTION	UNITS	TOTAL QTY.
MAINTENANCE OF EXISTING TRAFFIC SIGNAL INSTALLATION	EACH	1
PEDESTRIAN SIGNAL HEAD, LED, 1-FACE, BRACKET MOUNTED W/ COUNTDOWN TIMER	EACH	8
REMOVE EXISTING TRAFFIC SIGNAL EQUIPMENT	EACH	1
PEDESTRIAN PUSH-BUTTON, NON-LATCHING	EACH	5

NOTE:
PUSHBUTTON "A" SHALL PLACE A CALL IN PHASES 2 AND 4
PUSHBUTTON "B" SHALL PLACE A CALL IN PHASES 4 AND 6
PUSHBUTTON "C" SHALL PLACE A CALL IN PHASES 6 AND 8

TYPE	NO. OF LAMPS	LED WATTAGE	% OPERATION	TOTAL WATTAGE
SIGNAL (RED)	20	11	50	110.0
(YELLOW)	20	20	5	20.0
(GREEN)	20	12	45	108.0
PERMISSIVE ARROW	32	10	10	32.0
PED. SIGNAL	8	20	100	160.0
CONTROLLER	1	100	100	200.0
UPS	1	25	100	25.0
VIDEO SYSTEM	-	150	100	-
BLANK-OUT SIGN	-	25	5	-
FLASHER	-	-	50	-
STREET NAME SIGN	-	120	50	-
TOTAL =				655.0

ENERGY COSTS TO:
CITY OF NAPERVILLE
400 S EAGLE ST
NAPERVILLE, IL 60540
ENERGY SUPPLY: CONTACT: JOE STACHO
PHONE: (630) 424-5704
COMPANY: COMMONWEALTH EDISON
ACCOUNT NUMBER: ---

TS 11085
ECON 25

SCHEDULE OF QUANTITIES

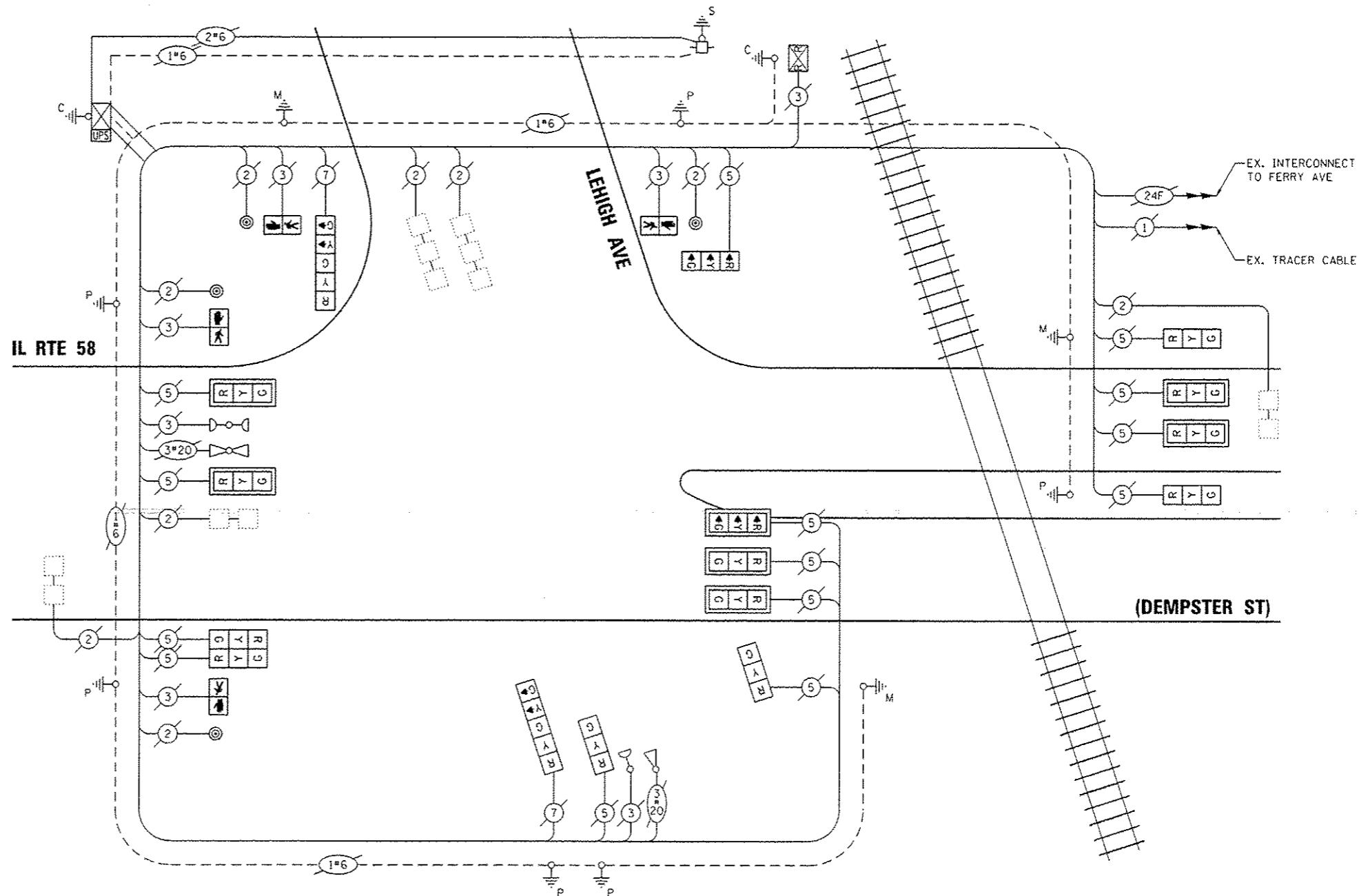
ITEM DESCRIPTION	UNITS	TOTAL QTY.
MAINTENANCE OF EXISTING TRAFFIC SIGNAL INSTALLATION	EACH	1
SIGNAL HEAD, LED, 1-FACE, 3-SECTION, MAST-ARM MOUNTED	EACH	7
SIGNAL HEAD, LED, 1-FACE, 3-SECTION, BRACKET MOUNTED	EACH	7
SIGNAL HEAD, LED, 1-FACE, 5-SECTION, BRACKET MOUNTED	EACH	2
PEDESTRIAN SIGNAL HEAD, LED, 1-FACE, BRACKET MOUNTED	EACH	4
TRAFFIC SIGNAL BACKPLATE, LOUVERED, FORMED PLASTIC	EACH	7
PEDESTRIAN PUSH-BUTTON	EACH	4
MODIFY EXISTING CONTROLLER CABINET	EACH	1
REMOVE EXISTING TRAFFIC SIGNAL EQUIPMENT	EACH	1
UNINTERRUPTABLE POWER SUPPLY AND CABINET, SPECIAL	EACH	1



REMOVAL NOTES:

THE FOLLOWING ITEMS SHALL BE REMOVED BY THE CONTRACTOR AND SHALL BE DISPOSED OF BY THEM OUTSIDE THE RIGHT-OF-WAY AT THEIR EXPENSE. THE SALVAGE VALUE OF THE REMOVED EQUIPMENT SHALL BE REFLECTED IN THE CONTRACT BID PRICE.

- 14 EACH 3-SECTION SIGNAL HEAD
- 2 EACH 5-SECTION SIGNAL HEAD
- 4 EACH PEDESTRIAN SIGNAL HEAD
- 4 EACH PEDESTRIAN PUSH-BUTTON
- 7 EACH TRAFFIC SIGNAL BACKPLATE



CABLE PLAN
(NOT TO SCALE)

TRAFFIC SIGNAL ELECTRICAL SERVICE REQUIREMENTS

TYPE	NO. OF LAMPS	LED WATTAGE	% OPERATION	TOTAL WATTAGE
SIGNAL (RED)	16	11	50	88.0
(YELLOW)	16	20	5	16.0
(GREEN)	16	12	45	86.4
PERMISSIVE ARROW	4	10	10	4.0
PED. SIGNAL	4	20	100	80.0
CONTROLLER	2	100	100	200.0
UPS	1	25	100	25.0
VIDEO SYSTEM	-	150	100	-
BLANK-OUT SIGN	-	25	5	-
FLASHER	-	-	50	-
STREET NAME SIGN	-	120	50	-
TOTAL =				499.4

ENERGY COSTS TO:

VILLAGE OF MORTON GROVE
6101 CAPULINA AVE
MORTON GROVE, IL 60053

ENERGY SUPPLY: CONTACT: TERRI BLECK
PHONE: (847) 816-5239
COMPANY: COMMONWEALTH EDISON
ACCOUNT NUMBER: ---

FILE NAME: p:\11\884EBID\INTEG.11\moss.gov\PI\001\Documents\1001\Office\District 1\Projects\DI24\Drawings\Traffic\124915-shr-ts-02.dgn	USER NAME: plascenciaj	DESIGNED: JP	REVISED: -
Default	PLOT SCALE: 40.0000' / in.	CHECKED: AK	REVISED: -
	PLOT DATE: 5/20/2016	DATE: ADD. 5/19/2016	REVISED: -

STATE OF ILLINOIS
DEPARTMENT OF TRANSPORTATION

SCHEDULE OF QUANTITIES AND CABLE PLAN
IL RTE 58 (DEMPSTER ST) AT LEHIGH AVE

F.A.P. RTE.	SECTION	COUNTY	TOTAL SHEETS	SHEET NO.
VAR.	2015-003TS	VARIOUS	59	59C
			CONTRACT NO. 62A56	
ILLINOIS FED. AID PROJECT				

TS 14290
ECON 16

SCALE: SHEET OF SHEETS STA. TO STA.

