

**STATE OF ILLINOIS**  
**DEPARTMENT OF TRANSPORTATION**  
**DIVISION OF HIGHWAYS**  
**PROPOSED**  
**CONTRACT MAINTENANCE**

FOR INDEX OF SHEETS, SEE SHEET NO. 2

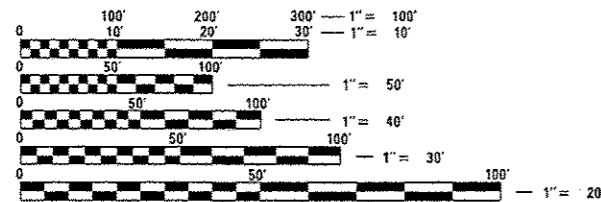
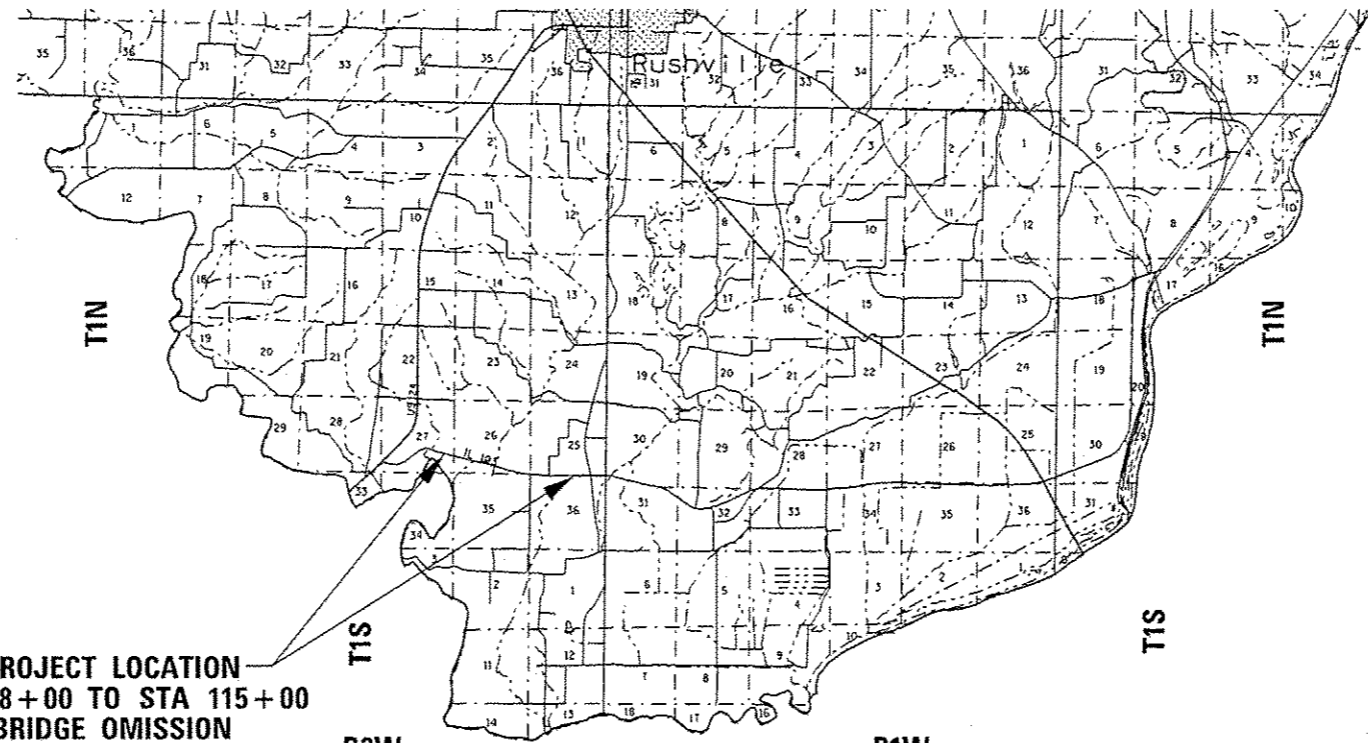
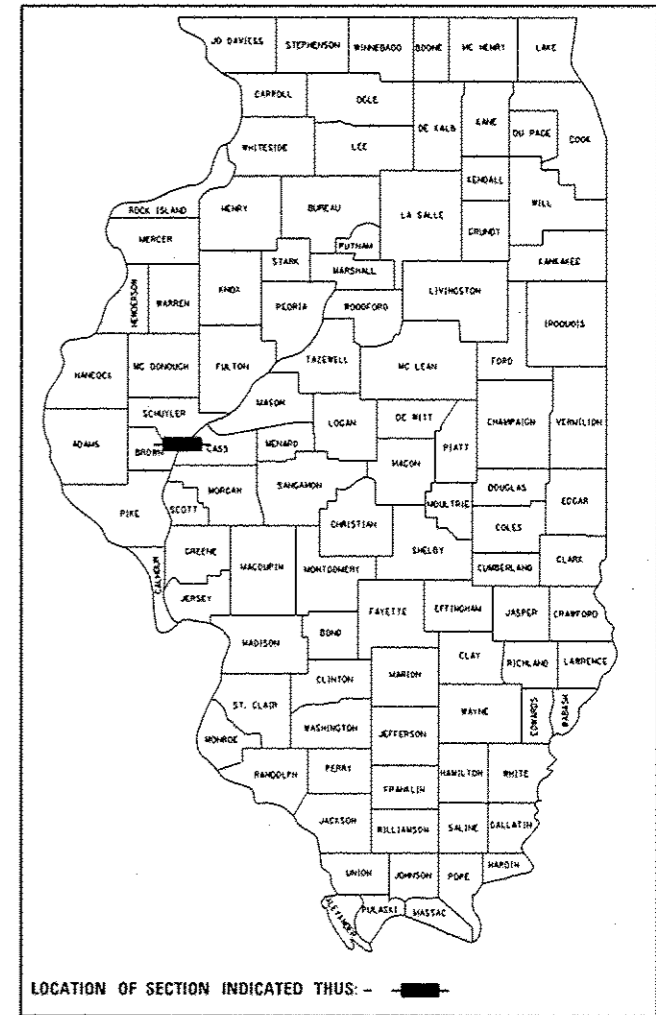
ADT = 600  
 SU = 10  
 MU = 60

FAP ROUTE 612 (IL 103)  
 SECTION (101) RS-11, I-4  
 RESURFACING & PATCHING  
 SCHUYLER COUNTY

C-96-069-15

F.A.P. RTE.	SECTION	COUNTY	TOTAL SHEETS	SHEET NO.
612	(101) RS-11, I-4	SCHUYLER	7	1
		ILLINOIS	CONTRACT NO. 72H92	

D-96-069-15



FULL SIZE PLANS HAVE BEEN PREPARED USING STANDARD ENGINEERING SCALES. REDUCED SIZED PLANS WILL NOT CONFORM TO STANDARD SCALES. IN MAKING MEASUREMENTS ON REDUCED PLANS, THE ABOVE SCALES MAY BE USED.

J.U.L.I.E.  
 JOINT UTILITY LOCATION INFORMATION FOR EXCAVATION  
 1-800-892-0123  
 OR 811

**PROJECT LOCATION**  
 STA 58+00 TO STA 115+00  
 BRIDGE OMISSION  
 STA 76+54 TO STA 79+69

GROSS LENGTH = 5700.00 FT. = 1.08 MILE  
 NET LENGTH = 5385.00 FT. = 1.02 MILE

PROJECT ENGINEER- MIKE IRWIN 217.524.7765  
 PROJECT MANAGER

CONTRACT NO. 72H92

STATE OF ILLINOIS  
 DEPARTMENT OF TRANSPORTATION  
 DIVISION OF HIGHWAYS

SUBMITTED March 25, 2016

*[Signature]*  
 REGION FOUR ENGINEER

May 6, 2016  
*Maureen M. Addis, P.E.*  
 ENGINEER OF DESIGN AND ENVIRONMENT

May 6, 2016  
*Omor Osman, P.E.*  
 DIRECTOR OF HIGHWAYS, CHIEF ENGINEER

**PRINTED BY THE AUTHORITY  
 OF THE STATE OF ILLINOIS**

GENERAL NOTES

1. ANY REFERENCE TO A STANDARD IN THESE PLANS SHALL BE INTERPRETED TO MEAN THE EDITION AS INDICATED BY THE SUB NUMBER LISTED IN THE INDEX OF SHEETS OR THE COPY OF THE STANDARD INCLUDED IN THESE PLANS
2. IN ADDITION TO THE FIELD SURVEYS, PLANS DIMENSIONS AND DETAILS RELATIVE TO THE EXISTING FACILITIES HAVE BEEN PLANS AND ARE SUBJECT TO CONSTRUCTION VARIATIONS. IT SHALL BE THE CONTACTOR'S RESPONSIBILITY TO VERIFY SUCH DIMENSIONS AND DETAILS IN THE FIELD. SUCH VARIATIONS SHALL NOT BE A CAUSE FOR ADDITIONAL COMPENSATION DUE TO CHANGE IN THE SCOPE OF WORK; THE CONTRACTOR WILL BE PAID FOR THE QUANTITY ACTUALLY FURNISHED AT THE UNIT PRICE BID FOR THE WORK.
3. ACCESS TO ALL ENTRANCES AND SIDE ROADS SHALL BE MAINTAINED AT ALL TIMES
4. THE CONTRACTOR SHALL BE RESPONSIBLE FOR PROTECTING UTILITY PROPERTY FROM CONSTRUCTION OPERATIONS, AS OUTLINED IN ARTICLE 107.31 OF THE STANDARD SPECIFICATIONS. THE J.U.L.I.E NUMBER IS 1-800-892-0123. A MINIMUM OF 48 HOURS ADVANCE NOTICE IS REQUIRED

INDEX OF SHEETS

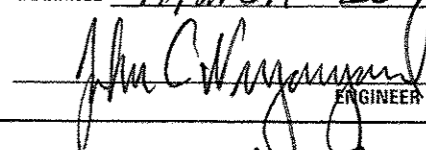
1. COVER SHEET
2. GENERAL NOTES
3. SUMMARY OF QUANTITIES
4. SCHEDULE OF QUANTITIES
5. TYPICAL SECTIONS
6. PLAN SHEETS
7. BUTT JOINT DETAIL


STANDARDS


442201-03	CLASS C AND D PATCHES
606006-03	OUTLETS FOR CONCRETE CURB AND GUTTER TYPE B-6.24
606206-03	OUTLET TYPE 1 FOR TYPE B GUTTER
701201-04	LANE CLOSURE, 2L, 2W, DAY ONLY, FOR SPEED > 45 MPH
701301-04	LANE CLOSURE, 2L, 2W, SHORT TIME OPERATIONS
701306-03	LANE CLOSURE, 2L, 2W, SLOW MOVING OPERATIONS DAY ONLY, FOR SPEEDS > 45 MPH
701311-03	LANE CLOSURE, 2L, 2W, MOVING OPERATIONS - DAY ONLY
701901-05	TRAFFIC CONTROL DEVICES

MIXTURE REQUIREMENTS			
THE FOLLOWING MIXTURE REQUIREMENTS ARE APPLICABLE FOR THIS PROJECT			
MIXTURE USE(S):	HMA SURFACE	HMA LEVELING BINDER	HMA PATCHING
AC / PG:	PG 64-22	PG 64-22	PG 64-22
DESIGN AIR VOIDS:	4.0% @ N DESIGN = 50	4.0% @ N DESIGN = 50	4.0% @ N DESIGN = 50
MIXTURE COMP:	IL 9.5	IL 9.5	IL 19.0
FRICTION AGG:	MIX "C"	N/A	N/A
QUALITY MANAGEMENT:	OCP	OC/OA	OC/OA
SUBLOT SIZE:	900 TON	N/A	N/A

**STATE OF ILLINOIS  
DEPARTMENT OF TRANSPORTATION  
DIVISION OF HIGHWAYS  
DISTRICT 6**

EXAMINED March 28<sup>th</sup> 2016  
  
 ENGINEER OF OPERATIONS

EXAMINED March 9 2016  
  
 ENGINEER OF PROJECT IMPLEMENTATION

EXAMINED March 21 2016  
  
 ENGINEER OF PROGRAM DEVELOPMENT

CODE NO.	ITEM	UNIT	TOTAL QUANTITY	0-01622-6006
				100% STATE
				ROADWAY 0005 RURAL
40600275	BITUMINOUS MATERIAL (PRIME COAT)	POUND	12924	12924
40600625	LEVELING BINDER (MACHINE METHOD), N50	TON	604	604
40600982	HMA SURFACE REMOVAL - BUTT JOINT	SQ YD	220	220
40600990	TEMPORARY RAMPS	SQ YD	73	73
40603310	HOT-MIX ASPHALT SURFACE COURSE, MIX "C", N50	TON	1207	1207
44000400	GUTTER REMOVAL	FOOT	50	50
44000500	COMBINATION CURB AND GUTTER REMOVAL	FOOT	350	350
44200144	PAVEMENT PATCHING, TYPE II, 12"	SQ YD	750	750
60234200	INLETS TYPE A, TYPE 1 FRAME, OPEN LID	EACH	2	2
60262700	INLETS TO BE RECONSTRUCTED	EACH	2	2
60600095	CLASS SI CONCRETE (OUTLET)	CU YD	10	10
60605000	COMBINATION CONCRETE CURB & GUTTER, TYPE B-6.24	FOOT	350	350
* 63000001	STEEL PLATE GUARDRAIL TYPE A, 6 FOOT POSTS	FOOT	350	350
* 63100167	TRAFFIC BARRIER TERMINAL, TYPE I (SPEC) TANGENT	EACH	2	2

CODE NO.	ITEM	UNIT	TOTAL QUANTITY	0-01622-6006
				100% STATE
				ROADWAY 0005 RURAL
63200310	GUARDRAIL REMOVAL	FOOT	350	350
67100100	MOBILIZATION	L SUM	1	1
70100450	TRAFFIC CONTROL AND PROTECTION, STANDARD 701201	L SUM	1	1
70100460	TRAFFIC CONTROL AND PROTECTION, STANDARD 701306	L SUM	1	1
70300100	SHORT TERM PAVEMENT MARKING	FOOT	539	539
70300150	SHORT TERM PAVEMENT MARKING - REMOVAL	SQ FT	180	180
* 78001120	PAINT PAVEMENT STRIPING, LINE 5"	FOOT	16370	16370
* 78100100	RAISED REFLECTIVE PAVEMENT MARKERS	EACH	135	135
78300200	RAISED REFLECTIVE PAVEMENT MARKERS, REMOVAL	EACH	135	135
X4401198	HOT-MIX ASPHALT SURFACE REMOVAL, VARIABLE DEPTH	SQ YD	19147	19147
10				

\* SPECIALTY ITEM

GUARDRAIL		
STA		LENGTH
73+21 TO 76+54	REMOVAL	350'
73+21 TO 76+54	CONSTRUCT	350'

GUTTER INLETS	
STA	
101+62	RECONSTRUCT
105+61	RECONSTRUCT

GUTTER OUTLETS	
STA	
64+55	RECONSTRUCT
65+38	RECONSTRUCT
73+21	RECONSTRUCT

CURB AND GUTTER		
STA		LENGTH
73+21 TO 76+54	REMOVAL	350'
73+21 TO 76+54	CONSTRUCT	350'

HMA RESURFACING		
STA	LENGTH	
58+00 TO 76+54	1854'	
76+54 TO 79+69	315'	BRIDGE OMISSION
79+69 TO 115+00	3531'	

STRIPING		
STA	TYPE	LENGTH
58+00 TO 115+00	SOLID WHITE - 5"	10770'
	SOLID YELLOW - 5"	3500'
	SKIP DASH YELLOW - 5"	2100'
BRIDGE OMISSION = 315'		TOTAL 16370'

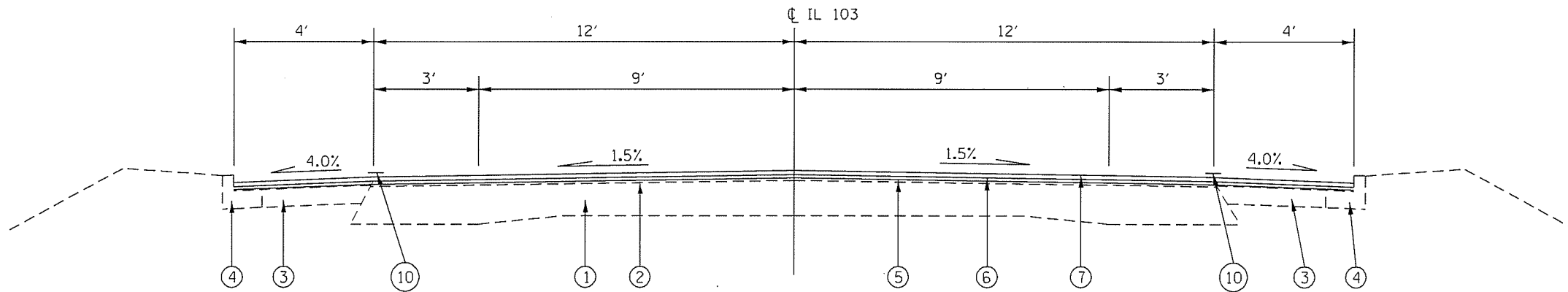
FILE NAME =	USER NAME = branhamme	DESIGNED -	REVISED -
S:\CONTRMAINT_CAD\72H92 IL 103 resurf	ps\ching\plans\72H92 - sht4 - schedule.dgn	DRAWN -	REVISED -
Default	PLOT SCALE = 100.0000' / in.	CHECKED -	REVISED -
	PLOT DATE = 3/28/2016	DATE -	REVISED -

**STATE OF ILLINOIS  
DEPARTMENT OF TRANSPORTATION**

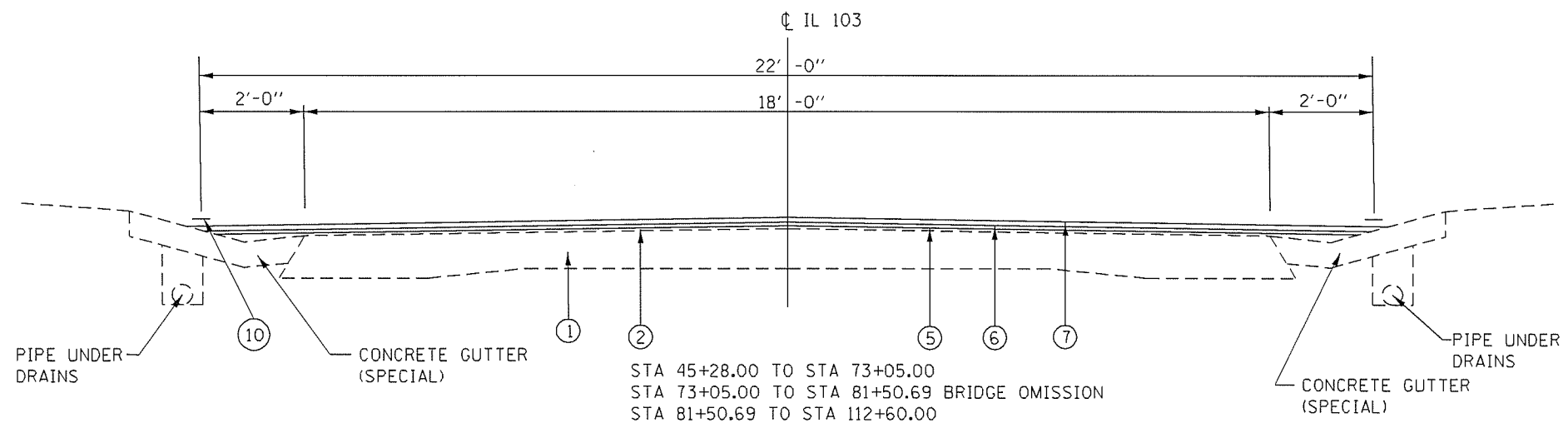
**SCHEDULE OF QUANTITIES**

SCALE: SHEET OF SHEETS STA. TO STA.

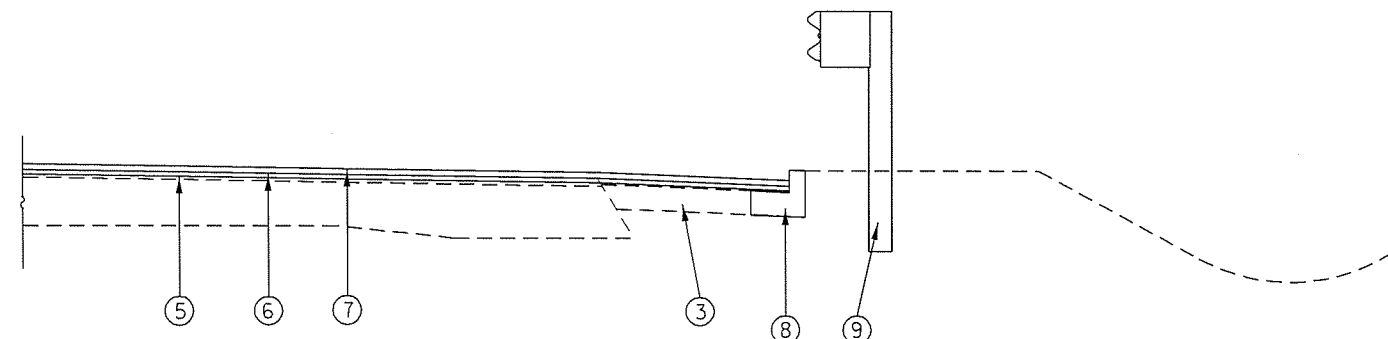
F.A.P. RTE.	SECTION	COUNTY	TOTAL SHEETS	SHEET NO.
612	(101) RS-11, I-4	SCHUYLER	7	4
				CONTRACT NO. 72H92
ILLINOIS FED. AID PROJECT				



STA 112+60.00 TO STA 115+00.00



STA 45+28.00 TO STA 73+05.00  
 STA 73+05.00 TO STA 81+50.69 BRIDGE OMISSION  
 STA 81+50.69 TO STA 112+60.00



STA 73+21.00 TO STA 76+54.00

**LEGEND**

- 1- EXIST PCC PAVEMENT
- 2- EXIST HMA SURFACE
- 3- EXIST HMA SHOULDER
- 4- EXIST CURB & GUTTER
- 5- PROP. SURFACE REMOVAL (VARIABLE DEPTH)
- 6- PROP HMA LEVELING BINDER (MACHINE METHOD) 3/4"
- 7- PROP HMA SURFACE COURSE MIX "C", N50, 1 1/2"
- 8- PROP CONCRETE CURB & GUTTER, TYPE B-6.24
- 9- PROP STEEL PLATE GUARDRAIL
- 10- PROP PAINT PAVEMENT MARKING, LINE-5"

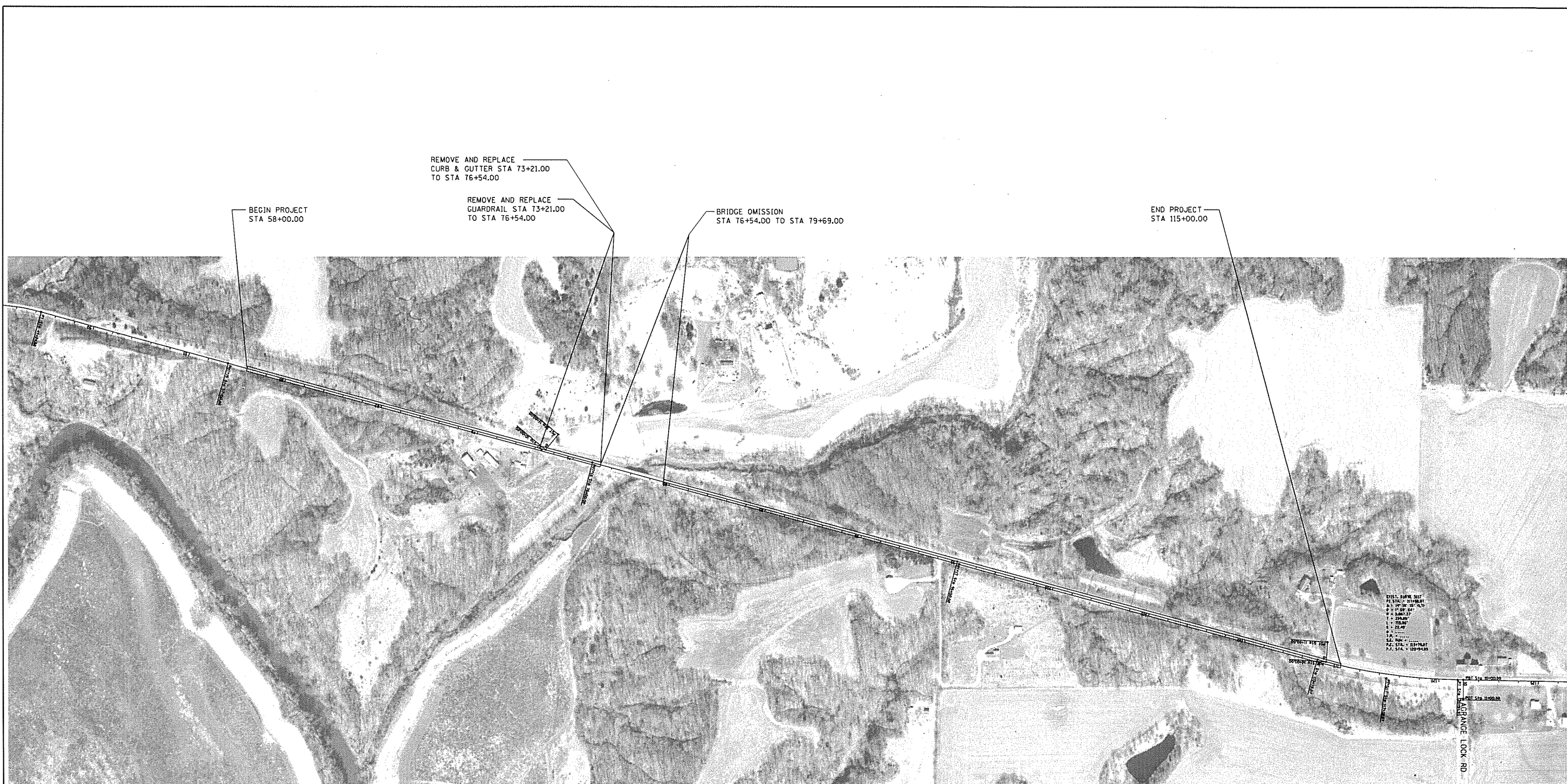
FILE NAME =	USER NAME = bronhamm	DESIGNED -	REVISED -
S:\CONTRM\MAINT_CAD\72H92 IL 103 resurf	patching\plans\72H92 - sht5 - typ.dgn	DRAWN -	REVISED -
Default	PLLOT SCALE = 40.0000' / in.	CHECKED -	REVISED -
	PLLOT DATE = 4/15/2016	DATE -	REVISED -

**STATE OF ILLINOIS  
 DEPARTMENT OF TRANSPORTATION**

**TYPICAL SECTIONS**

SCALE: SHEET OF SHEETS STA. TO STA.

F.A.P. RTE.	SECTION	COUNTY	TOTAL SHEETS	SHEET NO.
612	(101) RS-11, I-4	SCHUYLER	7	5
CONTRACT NO. 72H92				
ILLINOIS FED. AID PROJECT				

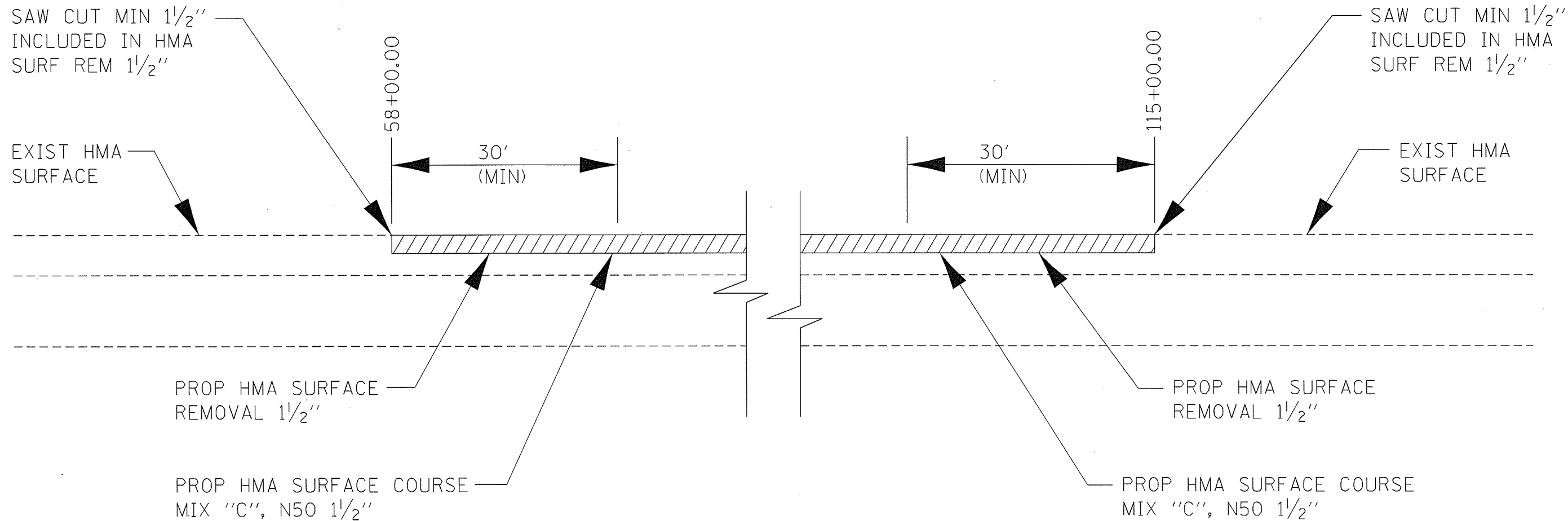


FILE NAME =	USER NAME = branhamme	DESIGNED -	REVISED -
S:\CONTRMAINT_CAD\72H92 IL 103 resurf	ptching\plans\72h92 - sht6 - plan.dgn	DRAWN -	REVISED -
Default	PLOT SCALE = 500.0000 ' / in.	CHECKED -	REVISED -
	PLOT DATE = 3/28/2016	DATE -	REVISED -

**STATE OF ILLINOIS  
DEPARTMENT OF TRANSPORTATION**

<b>PLAN SHEET</b>			
SCALE:	SHEET	OF	SHEETS
	STA.	TO	STA.

F.A.P. RTE.	SECTION	COUNTY	TOTAL SHEETS	SHEET NO.
612	(10)RS-11, I-4	SCHUYLER	7	6
CONTRACT NO. 72H92				
ILLINOIS FED. AID PROJECT				



FILE NAME =	USER NAME = branhamme	DESIGNED -	REVISED -
S:\CONTRMAINT_CAD\72H92 IL 103 resurf	patching\plans\72H92 - sht7 - butt detail.dgn	DRAWN -	REVISED -
Default	PLOT SCALE = 2.0000 "/td> <td>CHECKED -</td> <td>REVISED -</td>	CHECKED -	REVISED -
	PLOT DATE = 3/28/2016	DATE -	REVISED -

**STATE OF ILLINOIS  
DEPARTMENT OF TRANSPORTATION**

**BUTT-JOINT DETAIL**

SCALE: SHEET OF SHEETS STA. TO STA.

F.A.P. RTE.	SECTION	COUNTY	TOTAL SHEETS	SHEET NO.
612	(101) RS-11, I-4	SCHUYLER	7	7
CONTRACT NO. 72H92				
ILLINOIS FED. AID PROJECT				