

STATE OF ILLINOIS
 DEPARTMENT OF TRANSPORTATION
 DIVISION OF HIGHWAYS
**PROPOSED
 HIGHWAY PLANS**

F.A.I. RTE.	SECTION	COUNTY	TOTAL SHEETS	SHEET NO.
255	82-(1,2,3,4)-I, 60-7-I	ST. CLAIR	10	1
		ILLINOIS	CONTRACT NO. 76J27	

FOR INDEX OF SHEETS, SEE SHEET NO. 2

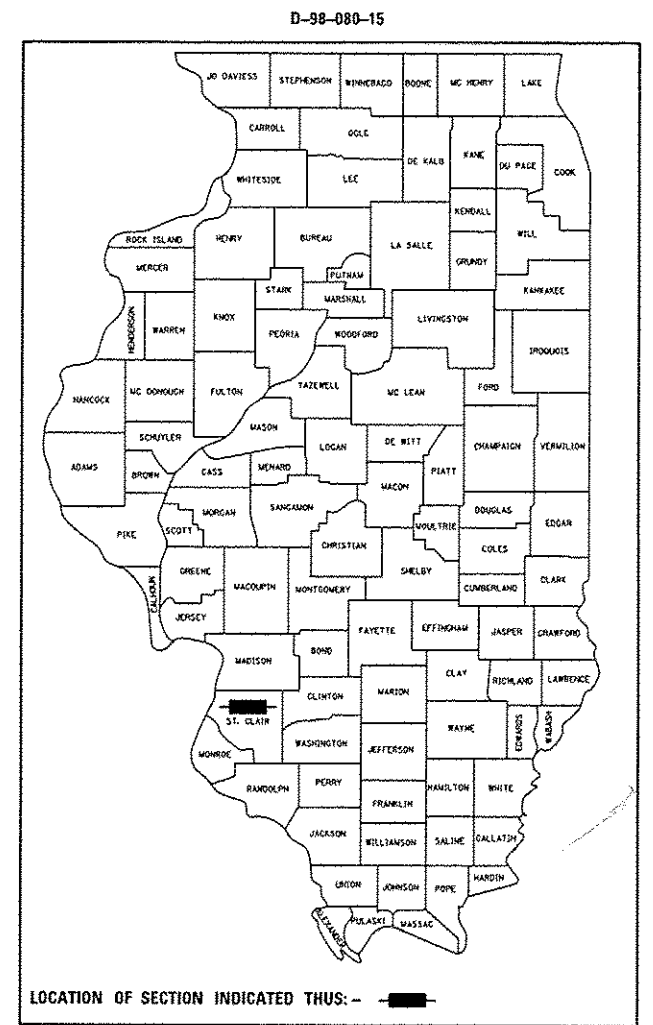
IL 15 TO STATE STREET
 2015 ADT = 51600
 SU = 3.4% MU = 14.3%

STATE STREET TO I-64
 2015 ADT = 51800
 SU = 3.3% MU = 14.5%

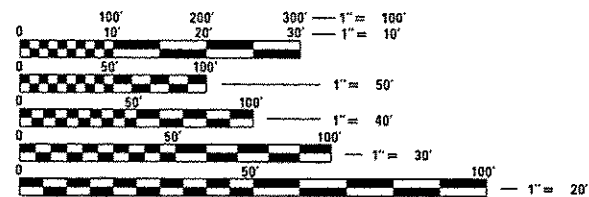
I-64 TO COLLINSVILLE ROAD
 2015 ADT = 48800
 SU = 2.8% MU = 13.7%

FAI ROUTE 255 (I-255)
 SECTION 82-(1,2,3,4)-I, 60-7-I
 PROJECT ACHSIP-0255 (403)
 SHOULDER RESURFACING &
 RUMBLE STRIP INSTALLATION
 ST. CLAIR COUNTY

C-98-069-15



LOCATION OF SECTION INDICATED THUS: - [black rectangle] -

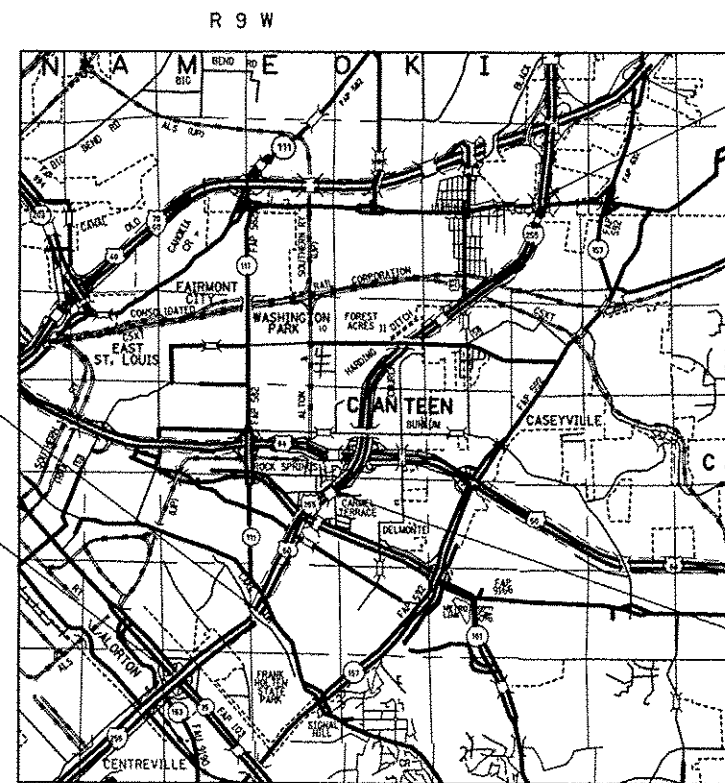


FULL SIZE PLANS HAVE BEEN PREPARED USING STANDARD ENGINEERING SCALES. REDUCED SIZED PLANS WILL NOT CONFORM TO STANDARD SCALES. IN MAKING MEASUREMENTS ON REDUCED PLANS, THE ABOVE SCALES MAY BE USED.

J.U.L.I.E.
 JOINT UTILITY LOCATION INFORMATION FOR EXCAVATION
 1-800-892-0123
 OR 811

PROJECT ENGINEER: TIM PADGETT (618) 346-3325
 PROJECT MANAGER: JOHNSON DUOSIER (618) 346-3208

CONTRACT NO. 76J27



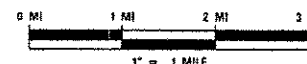
STATION EQUATION
 STA. 889+70.10 BK =
 STA. 889+83.19 AH

BEGIN PROJECT
 STA. 820+69.19
 LATITUDE: 38.582756
 LONGITUDE: -90.107572

END PROJECT
 STA. 1242+36.00
 LATITUDE: 38.659153
 LONGITUDE: -90.031224



T 2 N



GROSS LENGTH = 36,818.59 FT. = 6.973 MILE
 NET LENGTH = 32,783.79 FT. = 6.209 MILE

STATION EQUATION
 STA. 948+94.57 BK =
 STA. 1002+29.70 AH

STATE OF ILLINOIS
 DEPARTMENT OF TRANSPORTATION
 DIVISION OF HIGHWAYS

SUBMITTED *Jan 27 2016*

Jeffrey E. Kane
 DEPUTY DIRECTOR OF HIGHWAYS, REGION 5 ENGINEER

Maureen M. Addis, PE
 ACTING ENGINEER OF DESIGN AND ENVIRONMENT

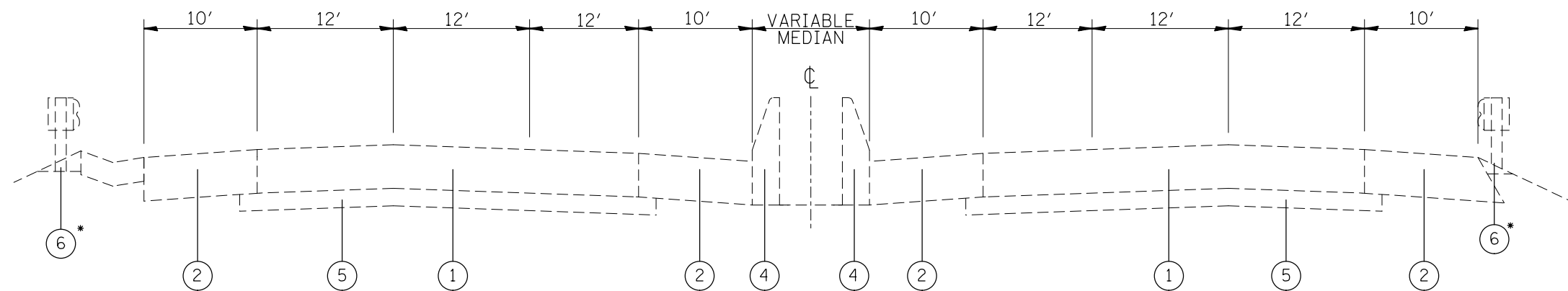
Amir Osman, PE
 DIRECTOR OF HIGHWAYS, CHIEF ENGINEER

PRINTED BY THE AUTHORITY
 OF THE STATE OF ILLINOIS

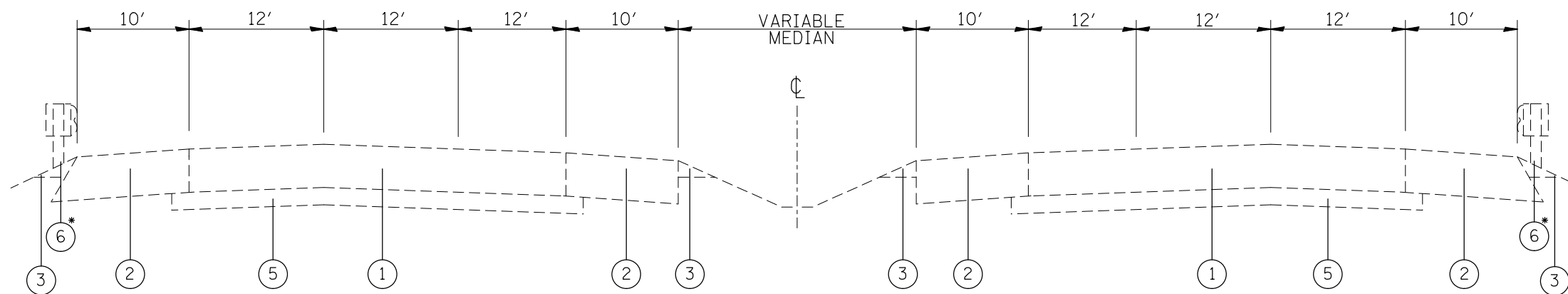
CODE NO.	ITEM	UNIT	TOTAL QUANTITY	CONSTR. CODE
				90% FED 10% STATE
				ROADWAY
				0021
				URBAN
40600290	BITUMINOUS MATERIALS (TACK COAT)	POUND	56004	56004
40600982	HOT-MIX ASPHALT SURFACE REMOVAL - BUTT JOINT	SQ YD	1010	1010
44000155	HOT-MIX ASPHALT SURFACE REMOVAL, 1 1/2"	SQ YD	124454	124454
44004250	PAVED SHOULDER REMOVAL	SQ YD	2514	2514
48102100	AGGREGATE WEDGE SHOULDER, TYPE B	TON	1194	1194
48203033	HOT-MIX ASPHALT SHOULDERS, 9"	SQ YD	2514	2514
48203100	HOT-MIX ASPHALT SHOULDERS	TON	10455	10455
64200116	SHOULDER RUMBLE STRIPS, 16 INCH	FOOT	118847	118847
67000400	ENGINEER'S FIELD OFFICE, TYPE A	CAL MO	3	3
67100100	MOBILIZATION	LSUM	1	1
70100420	TRAFFIC CONTROL AND PROTECTION, STANDARD 701411	EACH	14	14
70100800	TRAFFIC CONTROL AND PROTECTION, STANDARD 701401	LSUM	1	1
φ 20070600	TRAINEES	HR	1000	1000
70106800	CHANGEABLE MESSAGE SIGN	CAL MO	33	33
φ 20070604	TRAINEES TRAINING PROGRAM GRADUATE	HR	1000	1000
X7010410	SPEED DISPLAY TRAILER	CAL MO	6	6

14
φ 0042

FILE NAME =	USER NAME =	DESIGNED -	REVISED -	STATE OF ILLINOIS DEPARTMENT OF TRANSPORTATION	SUMMARY OF QUANTITIES				F.A.I RTE.	SECTION	COUNTY	TOTAL SHEETS	SHEET NO.	
pu\118046810\INTEG\Illinois.gov\FWIDOT\Documents\DOT Office\District 0\Projects\007-DRAWING\Drawings\087627-sht-plan.dwg	Documents\DOT Office\District 0\Projects\007-DRAWING\Drawings\087627-sht-plan.dwg	CHECKED -	REVISED -		SCALE:	SHEET 1	OF 1	SHEETS	STA.	TO STA.	255	82-(1,2,3,4)-1, 60-7-1	ST. CLAIR	10 3
Defaults	PLOT DATE = 1/26/2016	DATE -	REVISED -								CONTRACT NO. 76J27			
											ILLINOIS FED. AID PROJECT			



FAI 255
 STA 820+69.19 TO STA. 943+26.95



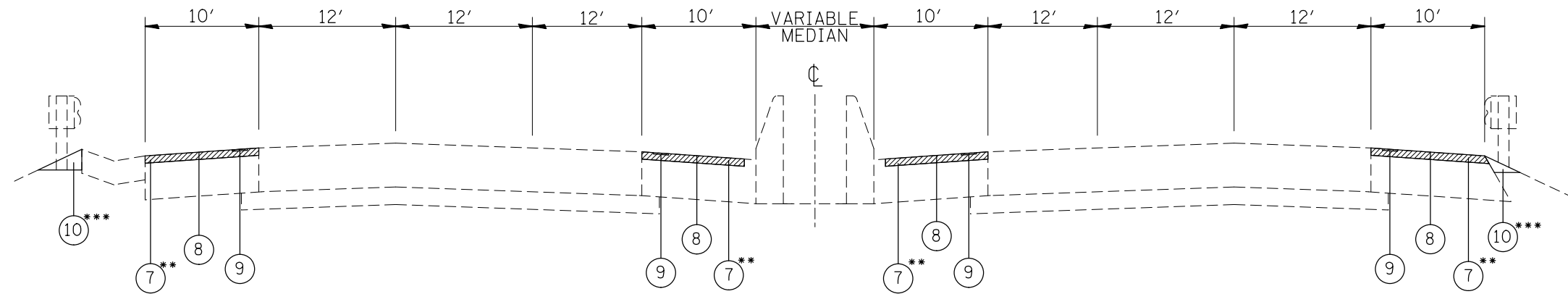
FAI 255
 STA 943+26.95 TO STA. 1242+36.00

LEGEND

- ① EXISTING C.R.P.C.C. PAVEMENT 9"
- ② EXISTING BITUMINOUS SHOULDERS 9"
- ③ EXISTING AGGREGATE SHOULDERS, TYPE B
- ④ EXISTING CONCRETE BARRIER
- ⑤ EXISTING STABILIZED SUB-BASE, 4"
- ⑥ EXISTING GUARDRAIL
- ⑦ PROPOSED HMA SURFACE REMOVAL, 1.5"
- ⑧ PROPOSED HMA SHOULDERS, 1.5"
- ⑨ PROPOSED RUMBLE STRIPS, 16"
- ⑩ PROPOSED AGGREGATE WEDGE SHOULDER, TYPE B

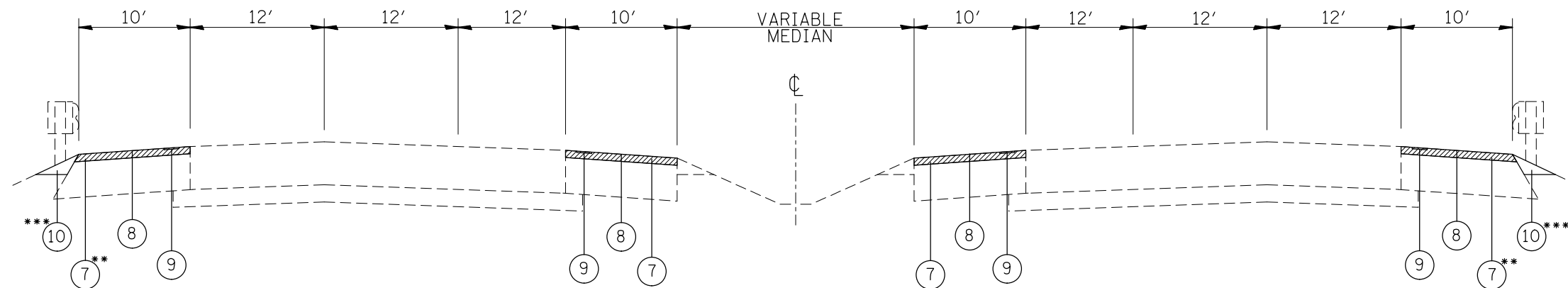
*EXISTING GUARDRAIL LOCATION VARIES

FILE NAME =	USER NAME = Durosier-J	DESIGNED -	REVISED -	STATE OF ILLINOIS DEPARTMENT OF TRANSPORTATION	EXISTING TYPICAL SECTIONS			F.A.I. RTE.	SECTION	COUNTY	TOTAL SHEETS	SHEET NO.
pw:\IL\084EBIDINTEG.illinois.gov\PIDOT\Documents\IDOT Offices\District 8\Projects\D876\DRAWING\DATA\EA0sheets\D876J27-sht-plan.dwg	DRWING DATA	CHECKED -	REVISED -					255	82-(1,2,3,4)-I, 60-7-I	ST. CLAIR	10	4
Default	PLOT SCALE = 100.0000' / 1in.	DATE -	REVISED -		SCALE:	SHEET 1 OF 2 SHEETS	STA.	TO STA.	CONTRACT NO. 76J27			
	PLOT DATE = 1/27/2016								ILLINOIS FED. AID PROJECT			



FAI 255

STA 820+69.19 TO STA. 943+26.95



FAI 255

STA 943+26.95 TO STA. 1242+36.00

LEGEND

- ① EXISTING C.R.P.C.C. PAVEMENT 9"
- ② EXISTING BITUMINOUS SHOULDERS 9"
- ③ EXISTING AGGREGATE SHOULDERS, TYPE B
- ④ EXISTING CONCRETE BARRIER
- ⑤ EXISTING STABILIZED SUB-BASE, 4"
- ⑥ EXISTING GUARDRAIL
- ⑦ PROPOSED HMA SURFACE REMOVAL, 1.5"
- ⑧ PROPOSED HMA SHOULDERS, 1.5"
- ⑨ PROPOSED RUMBLE STRIPS, 16"
- ⑩ PROPOSED AGGREGATE WEDGE SHOULDER, TYPE B



HMA SURFACE REMOVAL

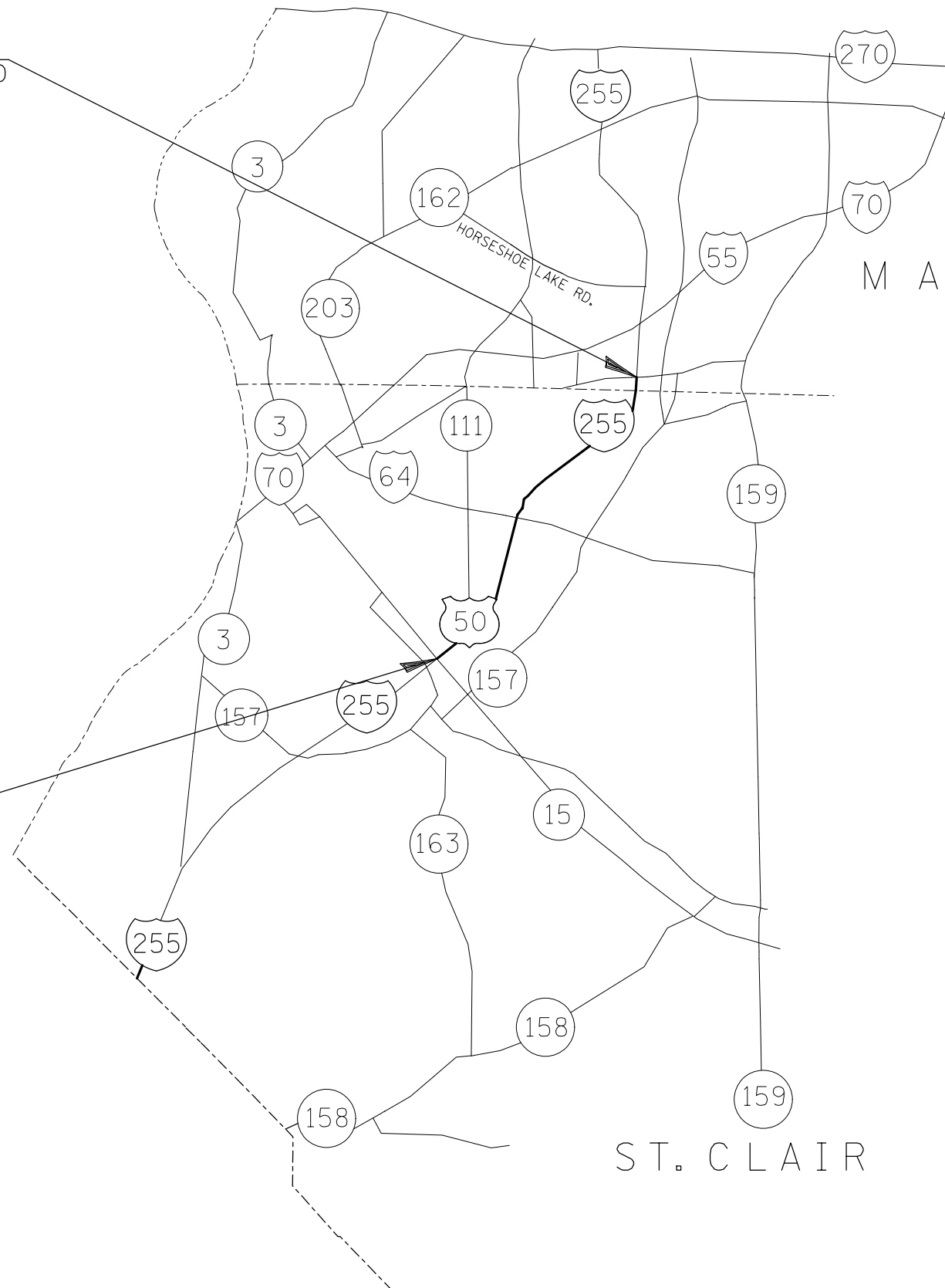
**FOR EXISTING GUARDRAIL AND CONCRETE BARRIER LOCATIONS, HMA SURFACE REMOVAL SHALL EXTEND TO 1' AWAY FROM THE FACE OF GUARDRAIL OR CONCRETE BARRIER.

***SEE SCHEDULES FOR LOCATIONS FOR PROPOSED AGGREGATE WEDGE SHOULDER, TYPE B.

FILE NAME =	USER NAME = Durosier-J	DESIGNED -	REVISED -	STATE OF ILLINOIS DEPARTMENT OF TRANSPORTATION	PROPOSED TYPICAL SECTIONS			F.A.I. RTE.	SECTION	COUNTY	TOTAL SHEETS	SHEET NO.
pw:\IL\084EBIDINTEG.illinois.gov\PIWIDOT\Documents\DOT Offices\District 8\Projects\0876\DRAWING\DATA\EA\Sheets\0876J27-sht-plan.dwg	DRWING DATA	CHECKED -	REVISED -					255	82-(1,2,3,4)-I, 60-7-I	ST. CLAIR	10	5
Default	PLOT SCALE = 100.0000' / in.	DATE -	REVISED -		SCALE: SHEET 2 OF 2 SHEETS STA. TO STA.			CONTRACT NO. 76J27				
	PLOT DATE = 1/27/2016	DATE -	REVISED -		ILLINOIS FED. AID PROJECT							

END PROJECT
STA. 1242+36.00

BEG. PROJECT
STA. 820+69.19

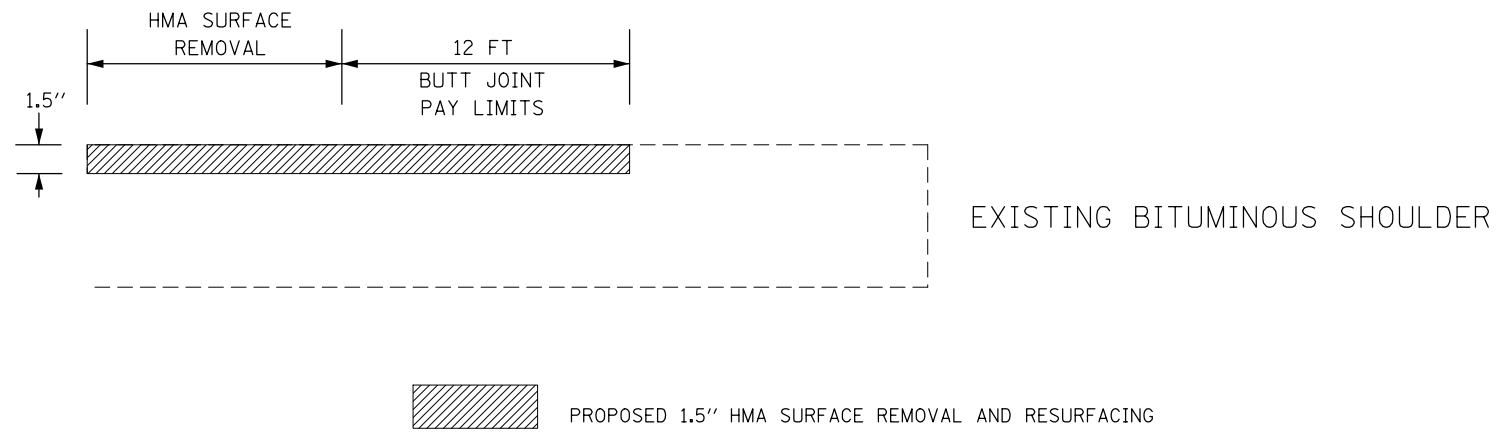


M A D I S O N

S T . C L A I R



FILE NAME =	USER NAME = Durosier-J	DESIGNED -	REVISED -	STATE OF ILLINOIS DEPARTMENT OF TRANSPORTATION	PROJECT LOCATION MAP			F.A.I. RTE.	SECTION	COUNTY	TOTAL SHEETS	SHEET NO.
pw:\IL\084EBIDINTEG.illinois.gov\PWIDOT\Documents\IDOT Offices\District 8\Projects\0876\DRAWING\DATA\CADsheets\0876J27-sht-plan.dwg		DRAWN -	REVISED -		255	82-(1,2,3,4)-I, 60-7-I	ST. CLAIR	10	9			
Default		PLOT SCALE = 100.0000' / in.	CHECKED -		REVISED -	CONTRACT NO. 76J27						
		PLOT DATE = 1/27/2016	DATE -		REVISED -	SCALE:	SHEET 1 OF 1 SHEETS	STA.	TO STA.	ILLINOIS FED. AID PROJECT		



BUTT JOINT DETAIL (See Butt Joint Schedule for locations)
(NOT TO SCALE)

FILE NAME =	USER NAME = Durosier-J	DESIGNED -	REVISED -	STATE OF ILLINOIS DEPARTMENT OF TRANSPORTATION	BUTT JOINT DETAIL			F.A.I. RTE.	SECTION	COUNTY	TOTAL SHEETS	SHEET NO.
p:\11\084EBIDINTEG.illinois.gov\PWIDOT\Documents\DOT Offices\District 8\Projects\0876\DRAWING\0876\0876J27-sht-plan.dwg	DRAWN -	CHECKED -	REVISED -					255	82-(1,2,3,4)-I, 60-7-I	ST. CLAIR	10	10
Default	PLOT SCALE = 100.0000' / 1in.	DATE -	REVISED -		SCALE: SHEET 1 OF 1 SHEETS STA. TO STA.			CONTRACT NO. 76J27				
	PLOT DATE = 1/27/2016	DATE -	REVISED -		ILLINOIS FED. AID PROJECT							