

STATE OF ILLINOIS
DEPARTMENT OF TRANSPORTATION

F.A.P. RTE.	SECTION	COUNTY	TOTAL SHEETS	SHEET NO.
761	(104,107)RS-3	GREENE	7	1
		ILLINOIS	CONTRACT NO. 76P25	

FOR INDEX OF SHEETS, SEE SHEET NO. 2

FAP 761 ADT
2022 = 825 (ESTIMATED)
SU = 2.5% MU = 7.5%

FUNCTIONAL CLASSIFICATION:
MINOR ARTERIAL

PROPOSED
HIGHWAY PLANS

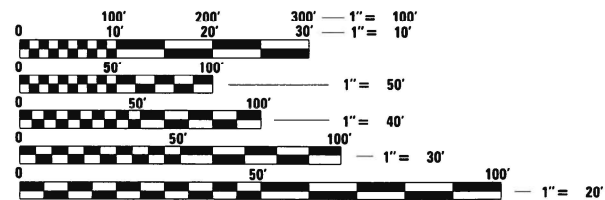
FAP ROUTE 761 (IL 108)
SECTION (104,107)RS-3
PROJECT STP-L2PM(198)
RESURFACING - SMART OVERLAY
GREENE COUNTY

C-98-061-21

BRIDGE OMISSION
IL 108
S.N. 031-0028
STA. 128 + 09 TO
STA. 129 + 45

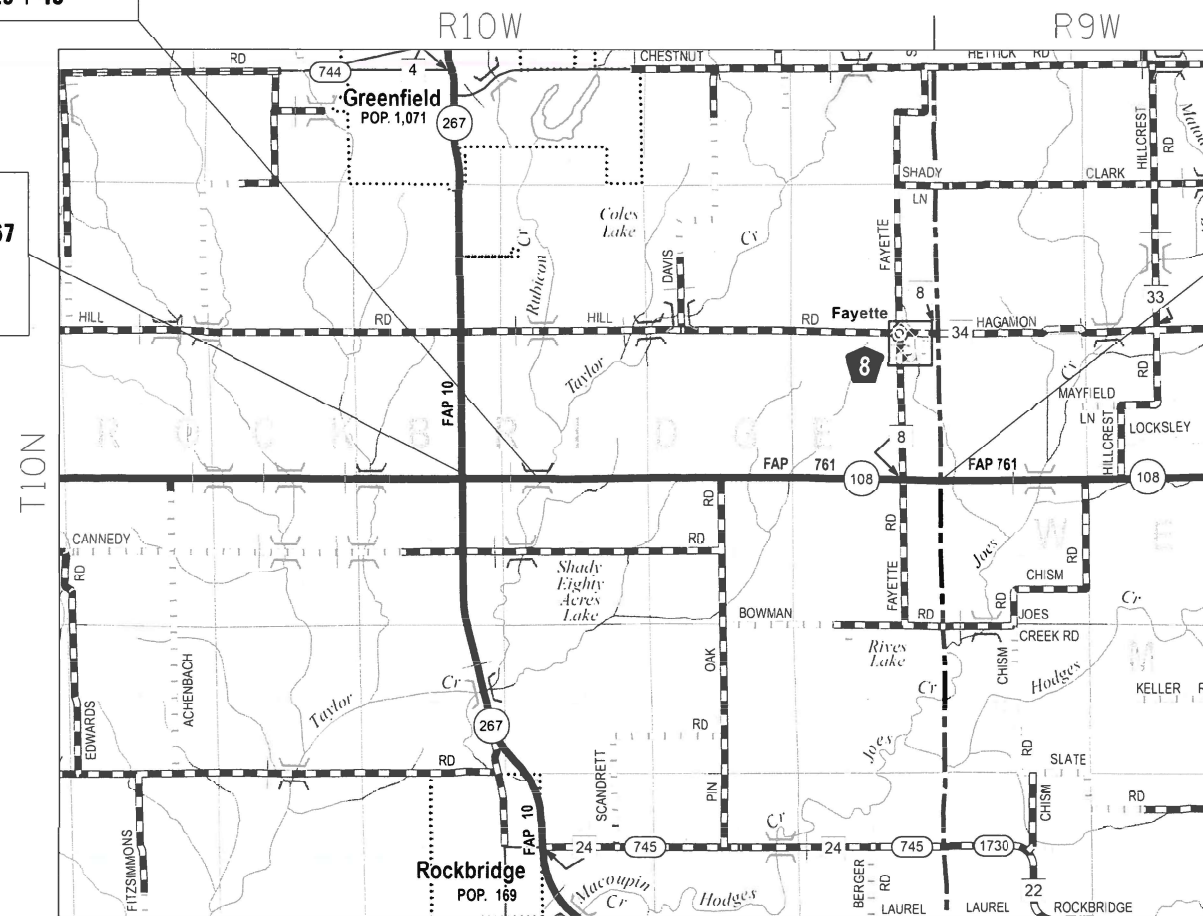
BEGIN PROJECT
IL 108 EAST OF IL 267
STA. 101 + 31
LAT: 39.30557 N
LONG: 90.20923 W

END PROJECT
IL 108 AT MACOUPIN
COUNTY LINE
STA. 272 + 22
LAT: 39.30548 N
LONG: 90.14886 W



FULL SIZE PLANS HAVE BEEN PREPARED USING STANDARD ENGINEERING SCALES. REDUCED SIZED PLANS WILL NOT CONFORM TO STANDARD SCALES. IN MAKING MEASUREMENTS ON REDUCED PLANS, THE ABOVE SCALES MAY BE USED.

J.U.L.I.E.
JOINT UTILITY LOCATION INFORMATION FOR EXCAVATORS
1-800-892-0123
OR 811



LOCATION MAP
NOT TO SCALE

GROSS LENGTH = 17,091 FT. = 3.237 MILE
NET LENGTH = 16,955 FT. = 3.211 MILE

PROJECT ENGINEER: HERVE GELIN (618) 346-3179
PROJECT MANAGER: BRANDON HUMPHREYS (618) 346-3413

CONTRACT NO. 76P25

D-98-032-21



LOCATION OF SECTION INDICATED THUS: - [shaded area] -

STATE OF ILLINOIS
DEPARTMENT OF TRANSPORTATION
SUBMITTED *March 8 2021*
K. Roberts REGIONAL ENGINEER
May 7, 2021
Scott A. Elk ENGINEER OF DESIGN AND ENVIRONMENT
May 7, 2021
James J. [Signature] DIRECTOR OF HIGHWAYS PROJECT IMPLEMENTATION

PRINTED BY THE AUTHORITY
OF THE STATE OF ILLINOIS

INDEX OF SHEETS

1. COVER SHEET
2. INDEX OF SHEETS, HIGHWAY STANDARDS, GENERAL NOTES, & COMMITMENTS
3. SUMMARY OF QUANTITIES
- 4-5. TYPICAL SECTIONS
6. SCHEDULES OF QUANTITIES
7. LOCATION MAP

HIGHWAY STANDARDS

000001-08	STANDARD SYMBOLS, ABBREVIATIONS AND PATTERNS
001006	DECIMAL OF AN INCH AND OF A FOOT
701006-05	OFF-RD OPERATIONS, 2L, 2W, 15' TO 24" FROM PAVEMENT EDGE
701011-04	OFF-RD MOVING OPERATIONS, 2L, 2W, DAY ONLY
701306-04	LANE CLOSURE, 2L, 2W, SLOW MOVING OPERATIONS DAY ONLY, FOR SPEEDS \geq 45 MPH
701311-03	LANE CLOSURE 2L, 2W MOVING OPERATIONS - DAY ONLY
701901-08	TRAFFIC CONTROL DEVICES
780001-05	TYPICAL PAVEMENT MARKINGS
781001-04	TYPICAL APPLICATIONS RAISED REFLECTIVE PAVEMENT MARKERS

GENERAL NOTES

1. THE UTILITIES KNOWN TO HAVE FACILITIES WITHIN THE PROJECT AREA ARE AS FOLLOWS:

UTILITY	TYPE	JULIE MEMBER
- FRONTIER COMMUNICATIONS 117 W. JEFFERSON STREET MT. PULASKIAL, IL 62548	COMMUNICATIONS	YES
- GREENE COUNTY RURAL WATER DISTRICT 323A 6TH STREET CARROLLTON, IL 62016	WATER	YES
- ILLINOIS ELECTRIC COOPERATIVE TWO S. MAIN STREET WINCHESTER, IL 62694-0010	ELECTRIC	YES

2. NO SURVEY WAS PERFORMED FOR THIS PROJECT AND THE PLANS WERE CREATED USING MICROFILM AND FIELD MEASUREMENTS.
3. THE MTD MAY OPERATE IN AN UNLOADED CONDITION ON SN 031-0028, SN 031-2415, AND SN 031-2416.
4. THE TEMPORARY RAMPS USED ON ALL SIDE STREETS AND ENTRANCES SHALL BE 1.50 FEET IN LENGTH SO AS NOT TO INTERFERE WITH THE THRU TRAFFIC LANES.
5. THE FOLLOWING MIXTURE REQUIREMENTS ARE APPLICABLE FOR THIS PROJECT:

MIXTURE USE	SURFACE
AC/PG	PG 64-22
RAP %(MAX)	SEE SPECIAL PROVISION
DESIGN AIR VOIDS	4.0% @ Ndes=70
MIX COMPOSITION (GRADATION)	IL 9.5
FRICTION AGG	MIXTURE "C"
QUALITY MGMT PROGRAM	QCP

PLAN QUANTITIES FOR HOT-MIX ASPHALT ITEMS ARE CALCULATED USING A UNIT WEIGHT OF 112 LBS/SQ YD/IN

COMMITMENTS

NONE

MODEL: Default
 FILE NAME: p:\planningroom\dot\illinois\gov\PIWDOT\Documents\IDOT_Offices\District 8\Projects\0876P25\CaddData\CAD\FreeCAD\B876P25-ht-gemino.cad

USER NAME = humphreysb	DESIGNED -	REVISED -
	DRAWN -	REVISED -
PLOT SCALE = 100,0000 ' / in.	CHECKED -	REVISED -
PLOT DATE = 3/8/2021	DATE -	REVISED -

**STATE OF ILLINOIS
DEPARTMENT OF TRANSPORTATION**

**INDEX OF SHEETS, HIGHWAY STANDARDS,
GENERAL NOTES, AND COMMITMENTS**

SCALE: NTS SHEET 1 OF 1 SHEETS STA. TO STA.

F.A.P. RTE.	SECTION	COUNTY	TOTAL SHEETS	SHEET NO.
761	(104,107)RS-3	GREENE	7	2
			CONTRACT NO. 76P25	
		ILLINOIS	FED. AID PROJECT	

MODEL: Default
 FILE NAME: p:\pub\mroom.dwt\illinois.gov\PIWDOT\Documents\DOT_Offices\District 8\Projects\0876P25\Cadd\Drawn\CAD\pieces\IDB876P25-sh-500.dgn

CODE NO.	ITEM	UNIT	TOTAL QUANTITY	CONSTR. CODE
				80% FEDERAL
				20% STATE
				ROADWAY
				0005
				RURAL
40600290	BITUMINOUS MATERIALS (TACK COAT)	POUND	22008	22008
40600990	TEMPORARY RAMP	SQ YD	92	92
40604052	HOT-MIX ASPHALT SURFACE COURSE, 1L-9.5, MIX "C", N70	TON	4110	4110
44000155	HOT-MIX ASPHALT SURFACE REMOVAL, 1 1/2"	SQ YD	48904	48904
44200168	PAVEMENT PATCHING, TYPE II, 14 INCH	SQ YD	172	172
48102100	AGGREGATE WEDGE SHOULDER, TYPE B	TON	648	648
67000400	ENGINEER'S FIELD OFFICE, TYPE A	CAL MO	3	3
67100100	MOBILIZATION	L SUM	1	1
70100460	TRAFFIC CONTROL AND PROTECTION, STANDARD 701306	L SUM	1	1
70300100	SHORT TERM PAVEMENT MARKING	FOOT	4680	4680
70300150	SHORT TERM PAVEMENT MARKING REMOVAL	SQ FT	524	524
70300220	TEMPORARY PAVEMENT MARKING - LINE 4"	FOOT	44741	44741
* 78000200	THERMOPLASTIC PAVEMENT MARKING - LINE 4"	FOOT	44741	44741
* 78100100	RAISED REFLECTIVE PAVEMENT MARKER	EACH	218	218

* SPECIALTY ITEM

CODE NO.	ITEM	UNIT	TOTAL QUANTITY	CONSTR. CODE
				80% FEDERAL
				20% STATE
				ROADWAY
				0005
				RURAL
78300200	RAISED REFLECTIVE PAVEMENT MARKER REMOVAL	EACH	218	218
X7030005	TEMPORARY PAVEMENT MARKING REMOVAL	SQ FT	14917	14917
Z0033700	LONGITUDINAL JOINT SEALANT	FOOT	16955	16955
Ø Z0076600	TRAINEES	hour	500	500
Z0034105	MATERIAL TRANSFER DEVICE	TON	4110	4110
Ø Z0076604	TRAINEES TRAINING PROGRAM GRADUATE	hour	500	500

Ø 0042

REV. - MS

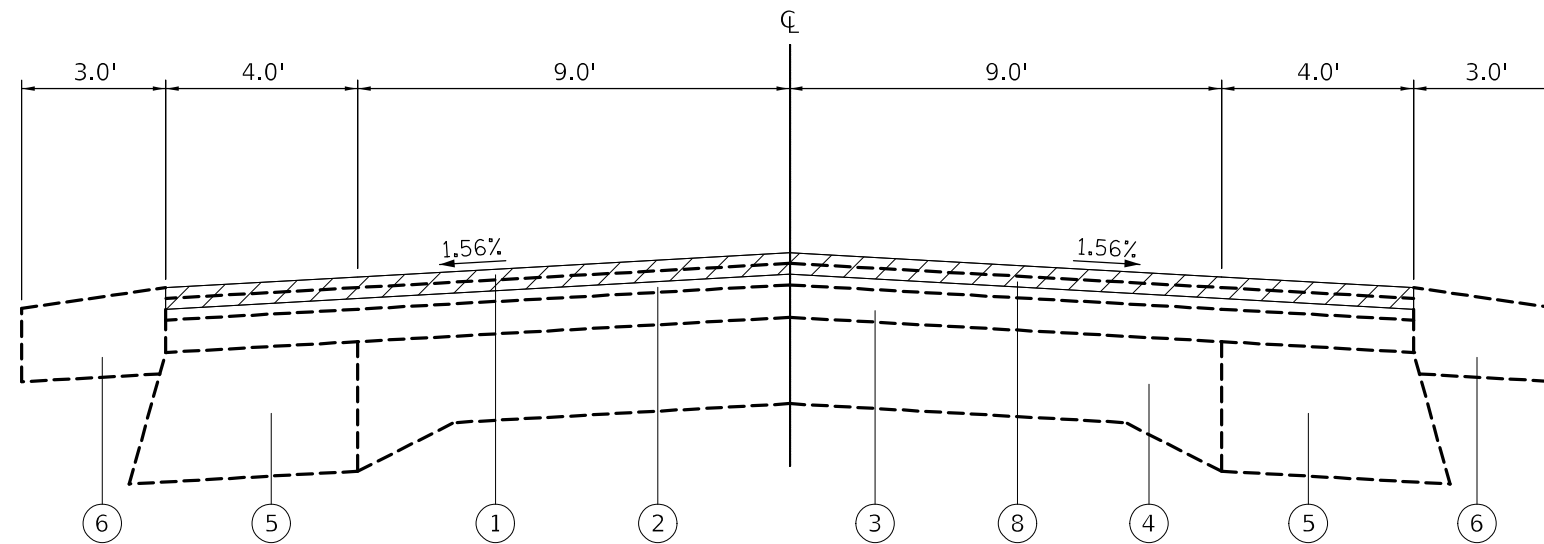
USER NAME = humphreysb	DESIGNED -	REVISED -
	DRAWN -	REVISED -
PLOT SCALE = 100,0000 ' / in.	CHECKED -	REVISED -
PLOT DATE = 3/8/2021	DATE -	REVISED -

**STATE OF ILLINOIS
DEPARTMENT OF TRANSPORTATION**

SUMMARY OF QUANTITIES

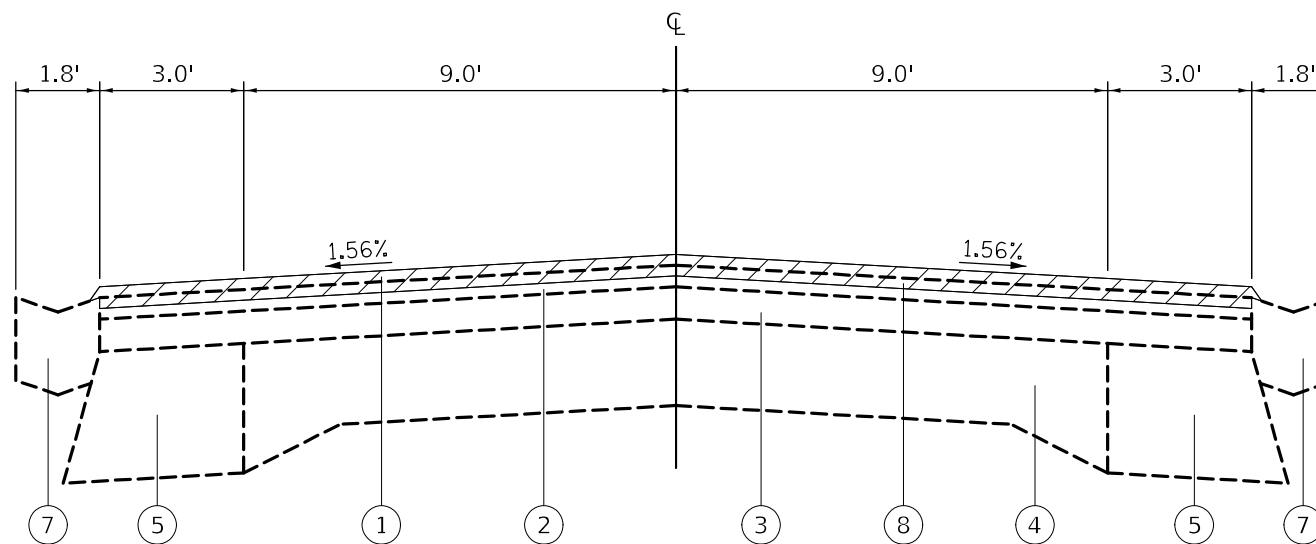
SCALE: NTS SHEET 1 OF 1 SHEETS STA. TO STA.

F.A.P. RTE.	SECTION	COUNTY	TOTAL SHEETS	SHEET NO.
761	(104,107)RS-3	GREENE	7	3
			CONTRACT NO. 76P25	
		ILLINOIS FED. AID PROJECT		



EXISTING TYPICAL SECTION
STATE ROUTE IL 108

STA 101+31 TO STA 128+09
(BRIDGE OMISSION: STA 128+09 TO STA 129+45)
STA 129+45 TO STA 131+00
STA 134+54 TO STA 272+22



EXISTING TYPICAL SECTION
STATE ROUTE IL 108

STA 131+00 TO STA 134+54

LEGEND

- ① EXISTING BITUMINOUS LEVELING BINDER, 3/4"
- ⑤ EXISTING BITUMINOUS BASE COURSE WIDENING, 9"
- ⑨ PROPOSED HOT-MIX ASPHALT SURFACE COURSE, 1 1/2"
- ② EXISTING BITUMINOUS SURFACE COURSE, 1 1/2"
- ⑥ EXISTING AGGREGATE SHOULDERS, TYPE B, 6"
- ⑩ PROPOSED AGGREGATE WEDGE SHOULDER, TYPE B
- ③ EXISTING BITUMINOUS RESURFACING, 3"
- ⑦ EXISTING CONCRETE GUTTER, TYPE B
- ⑪ PROPOSED TACK COAT
- ④ EXISTING P.C.C. PAVEMENT, 9"-6"-9"
- ⑧ PROPOSED HOT-MIX ASPHALT SURFACE REMOVAL, 1 1/2"
- ⑫ PROPOSED LONGITUDINAL JOINT SEALANT

PROPOSED HOT-MIX ASPHALT REMOVAL, 1 1/2"

MODEL: Default
FILE NAME: \\p01\harcourt\p01\104\107\RS-3\104_107_RS-3_Typical.dgn

USER NAME = humphreysb	DESIGNED -	REVISED -
	DRAWN -	REVISED -
PLOT SCALE = 40,0000 * / in.	CHECKED -	REVISED -
PLOT DATE = 3/15/2021	DATE -	REVISED -

STATE OF ILLINOIS
DEPARTMENT OF TRANSPORTATION

TYPICAL SECTIONS	
SCALE: NTS	SHEET 1 OF 2 SHEETS
STA. 101+31	TO STA. 272+22

F.A.P. RTE.	SECTION	COUNTY	TOTAL SHEETS	SHEET NO.
761	(104,107)RS-3	GREENE	7	4
CONTRACT NO. 76P25				
ILLINOIS FED. AID PROJECT				

PAVEMENT MARKINGS SCHEDULE															
STATION	TO	STATION	LENGTH FOOT	THERMOPLASTIC PAVEMENT MARKINGS			SHORT TERM PAVEMENT MARKING REMOVAL SQ FT	SHORT TERM PAVEMENT MARKING REMOVAL FOOT	TEMPORARY PAVEMENT MARKINGS			RAISED REFLECTIVE PAVEMENT MARKER REMOVAL EACH	RAISED REFLECTIVE PAVEMENT MARKERS 2-WAY AMBER EACH	TEMPORARY PAVEMENT MARKING REMOVAL SQ FT	NOTES
				4 - INCH					4 - INCH						
				SOLID	LINE	SKIP-DASH			SOLID	LINE	SKIP-DASH				
				WHITE	YELLOW	YELLOW			WHITE	YELLOW	YELLOW				
IL 108															
101+31	TO	107+73	642	1284		170	20	180	1284		170	9	9	485	BEGIN RESURFACING
107+73	TO	118+48	1075	2150	1075	270	34	300	2150	1075	270	14	14	1165	
118+48	TO	128+09	961	1922	1922		30	264	1922	1922		13	13	1282	
128+09	TO	129+45	136												BRIDGE OMISSION
129+45	TO	135+45	600	1200	1200		19	168	1200	1200	0	8	8	800	
135+45	TO	146+00	1055	2110	1055	270	32	288	2110	1055	270	14	14	1145	
146+00	TO	250+76	10476	20907		2620	319	2868	20907		2620	131	131	7843	
250+76	TO	260+28	952	1804	952	240	30	264	1804	952	240	12	12	999	
260+28	TO	262+02	174	348		50	6	48	348		50	3	3	133	
262+02	TO	270+84	882	1764	882	230	28	252	1764	882	230	12	12	959	
270+84	TO	272+22	138	276		40	6	48	276		40	2	2	106	END RESURFACING
SUBTOTALS				33765	7086	3890	524	4680	33765	7086	3890	218	218	14917	
TOTALS				44741			524	4680	44741			218	218	14917	

PATCHING SCHEDULE				
STATION	LANE	LENGTH FOOT	WIDTH FOOT	PAVEMENT PATCHING
				14 - INCH
				TYPE II SQ YD
IL 108				
130+25	EB	12	7	10
138+25	EB	4	13	6
138+25	WB	4	13	6
160+45	EB	4	13	6
160+45	WB	6	13	9
163+60	EB	6	13	9
163+60	WB	6	13	9
165+20	EB	9	13	13
165+20	WB	9	13	13
169+95	EB	4	13	6
169+95	WB	4	13	6
179+45	EB	4	13	6
179+45	WB	4	13	6
180+00	FB	9	13	13
180+00	WB	9	13	13
218+00	EB	4	13	6
218+00	WB	4	13	6
SUBTOTALS				143
20% ANTICIPATED PATCHING				29
TOTALS				172

RESURFACING SCHEDULE									
LOCATION			LENGTH FOOT	HMA SURFACE REMOVAL SQ YD	HMA SURFACE COURSE, IL-9.5, MIX "C", N70 1 1/2"	LONGITUDINAL JOINT SEALANT FOOT	AGGREGATE WEDGE SHOULDER, TYPE B TON	BITUMINOUS MATERIALS (TACK COAT) POUND	NOTES
STATION	TO	STATION							
IL 108									
101+31	TO	128+09	2678	7737	650	2678	105	3482	
128+09	TO	129+45	136						BRIDGE OMISSION
129+45	TO	131+00	155	448	38	155	7	202	
131+00	TO	134+54	354	944	80	354		425	
134+54	TO	272+22	13768	39775	3342	13768	536	17899	
TOTALS				48904	4110	16955	648	22008	

TEMPORARY RAMP SCHEDULE				
STATION	LENGTH	WIDTH	TEMPORARY RAMP	NOTES
	FOOT	FOOT	SQ YD	
IL 108				
101+31	5.0	26.0	15	BEGIN RESURFACING
128+77	5.0	26.0	15	BEGIN BRIDGE OMISSION
129+45	5.0	26.0	15	END BRIDGE OMISSION
193+02	1.5	60.0	10	OAK RD
258+81	1.5	50.0	9	FAYETTE RD, EASTBOUND
258+81	1.5	75.0	13	FAYETTE RD, WESTBOUND
272+22	5.0	26.0	15	END RESURFACING
TOTALS			92	

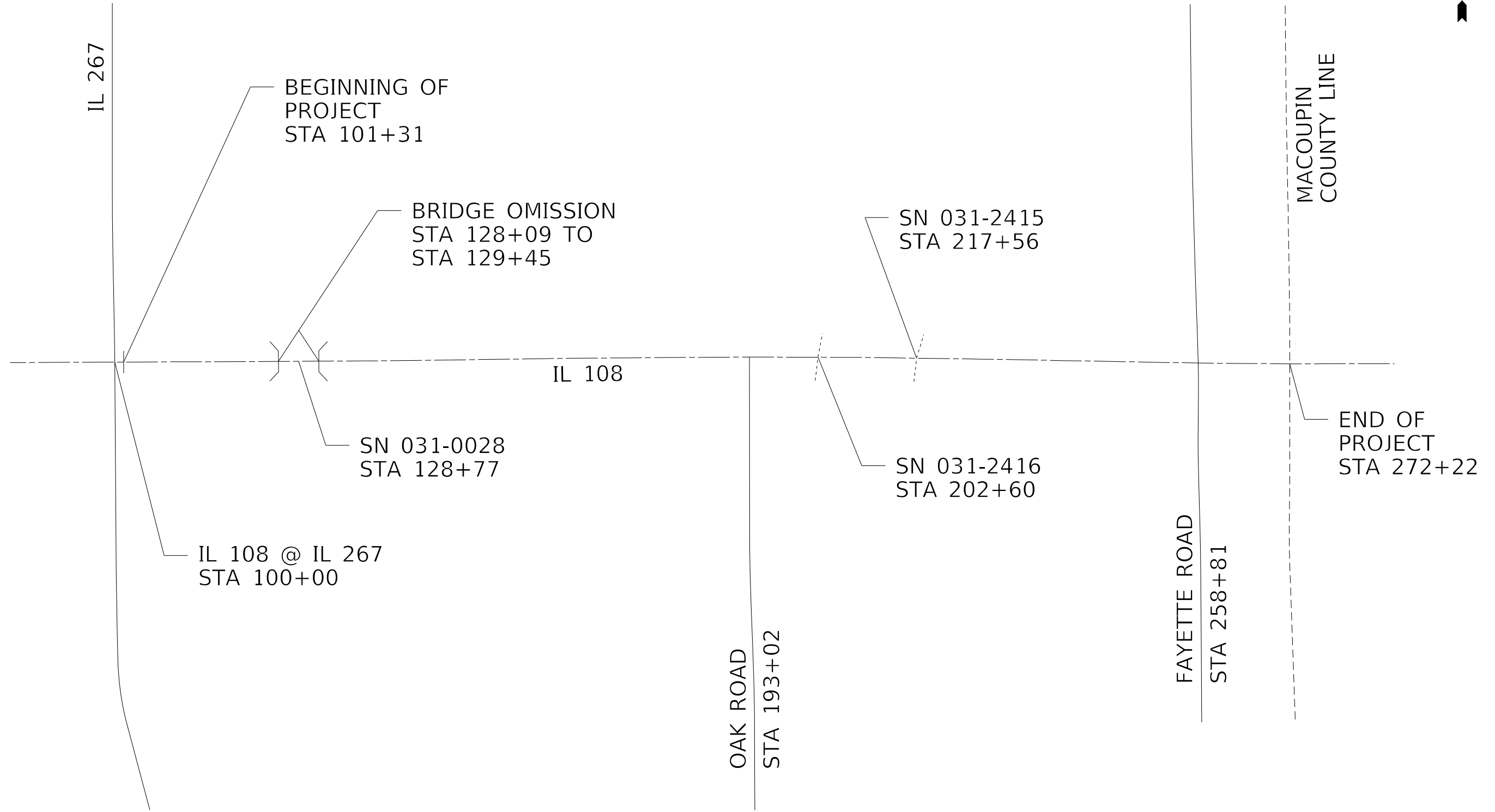
MODEL: Default
 FILE NAME: p:\pub\mroom.dwg
 PROJECT: 0876P25-CADD\data\CAD\pfiles\0876P25-211-schedule.dgn

USER NAME = humphreysb	DESIGNED -	REVISED -
	DRAWN -	REVISED -
PLOT SCALE = 100,0000' / in.	CHECKED -	REVISED -
PLOT DATE = 3/8/2021	DATE -	REVISED -

**STATE OF ILLINOIS
DEPARTMENT OF TRANSPORTATION**

SCHEDULE OF QUANTITIES				
SCALE: NTS	SHEET 1	OF 1	SHEETS	STA. TO STA.

F.A.P. RTE.	SECTION	COUNTY	TOTAL SHEETS	SHEET NO.
761	(104,107)RS-3	GREENE	7	6
CONTRACT NO. 76P25				
ILLINOIS FED. AID PROJECT				



NOT TO SCALE

MODEL: Default
 FILE NAME: P:\pub\mroom.dwt\illinois.gov\PWIDOT\Documents\DOT_Offices\District 8\Projects\0876P25\CaddData\CAD\Project\IDB876P25-shc-sbwr.dgn

USER NAME = humphreysb	DESIGNED -	REVISED -
	DRAWN -	REVISED -
PLOT SCALE = 100,0000' / in.	CHECKED -	REVISED -
PLOT DATE = 3/8/2021	DATE -	REVISED -

**STATE OF ILLINOIS
DEPARTMENT OF TRANSPORTATION**

LOCATION MAP

SCALE: NTS SHEET 1 OF 1 SHEETS STA. 100+00 TO STA. 272+22

F.A.P. RTE.	SECTION	COUNTY	TOTAL SHEETS	SHEET NO.
761	(104,107)RS-3	GREENE	7	7
			CONTRACT NO. 76P25	
		ILLINOIS	FED. AID PROJECT	