

06-11-2021 LETTING ITEM 100

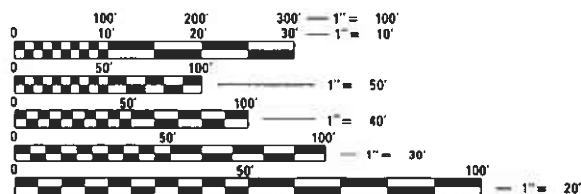
SUBSURFACE UTILITY ENGINEERING (S.U.E)
UTILIZED ON THIS PROJECT

FOR INDEX OF SHEETS, SEE SHEET NO. 2
FOR LIST OF HIGHWAY STANDARDS, SEE SHEET NO. 2

FUNCTIONAL CLASSIFICATION:
OTHER PRINCIPAL ARTERIAL
130TH ST 2019 ADT = 18,200
130TH ST POSTED SPEED LIMIT: 35 MPH
I-94 2019 ADT = 148,900
I-94 POSTED SPEED LIMIT: 55 MPH

APPLIES TO SHEETS 1-29, 31-34 LICENSED CIVIL ENGINEER, STATE OF ILLINOIS EXPIRES: 11/30/2021	APPLIES TO SHEET 30 LICENSED PROFESSIONAL ENGINEER STATE OF ILLINOIS
APPLIES TO SHEETS 66-70 LICENSED CIVIL ENGINEER, STATE OF ILLINOIS EXPIRES: 11/30/2021	 LICENSED CIVIL ENGINEER, STATE OF ILLINOIS EXPIRES: 11/30/2021
APPLIES TO SHEETS 35-65 LICENSED STRUCTURAL ENGINEER, STATE OF ILLINOIS EXPIRES: 11/30/2022	 LICENSED STRUCTURAL ENGINEER, STATE OF ILLINOIS

MUNICIPALITIES:
CITY OF CHICAGO



FULL SIZE PLANS HAVE BEEN PREPARED USING STANDARD
ENGINEERING SCALES. REDUCED SIZED PLANS WILL NOT
CONFORM TO STANDARD SCALES. IN MAKING MEASUREMENTS
ON REDUCED PLANS, THE ABOVE SCALES MAY BE USED.

J.U.L.I.E.
JOINT UTILITY LOCATION INFORMATION FOR EXCAVATION
1-800-892-0123
OR 811

PROJECT ENGINEER: PRAVEEN KAINI, PE (847)-705-4237
PROJECT MANAGER: J. ALAIN MIDY, PE (847)-221-3056

CONTRACT NO. 62M41

STATE OF ILLINOIS DEPARTMENT OF TRANSPORTATION

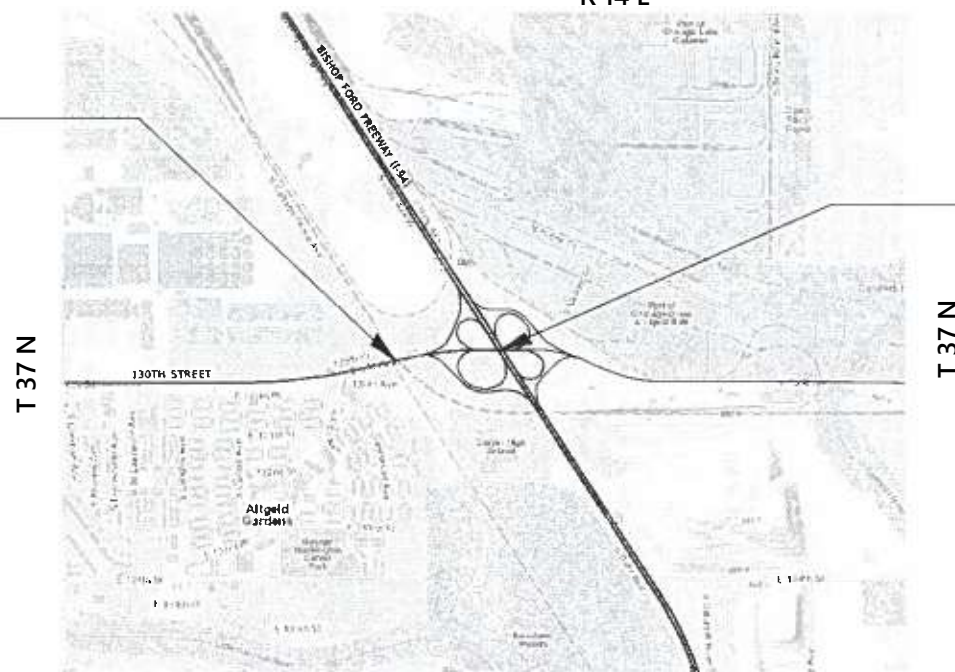
PROPOSED HIGHWAY PLANS

FAP ROUTE 0344 (130TH ST)
AT I-94 (BISHOP FORD EXPRESSWAY) & CSSS & IHB RR
SECTION 2020-153-BR
PROJECT NHPP-KJ9T(288)
BRIDGE DECK OVERLAY AND JOINT REPAIRS
COOK COUNTY

C-91-361-20 R 14 E

BRIDGE REPAIRS
SN 016-2434
STA 24 + 37.61

BRIDGE REPAIRS
SN 016-2600
STA 38 + 91.98



LOCATION MAP R 14 E
NOT TO SCALE

F.A.P. ROUTE	SECTION	COUNTY	TOTAL SHEETS	SHEET NO.
0344	2020-153-BR	COOK	85	1

ILLINOIS CONTRACT NO. 62M41

* 85 + 2 = 87 TOTAL SHEETS
* 87 + 5 = 92 TOTAL SHEETS
D-91-562-20



STATE OF ILLINOIS
DEPARTMENT OF TRANSPORTATION

SUBMITTED March 16 20 21
Paul Ryan KAS REGIONAL ENGINEER

May 7, 2021 Scott A. Elk
ENGINEER OF DESIGN AND ENVIRONMENT

May 7, 2021 James J. Guerin
DIRECTOR OF HIGHWAYS PROJECT IMPLEMENTATION 13

REVISD SHEET 5/24/2021 REV-SEP
PRINTED BY THE AUTHORITY
OF THE STATE OF ILLINOIS

Bowman
CONSULTING

311 S. Wacker Drive, Suite 1180
Chicago, Illinois 60606
312-614-0360
www.bowmanconsulting.com

SN 016-2434	SN 016-2600
GROSS LENGTH = 409.54 FT. = 0.078 MILE	GROSS LENGTH = 375.28 FT. = 0.071 MILE
NET LENGTH = 409.54 FT. = 0.078 MILE	NET LENGTH = 375.28 FT. = 0.071 MILE

INDEX OF SHEETS

- 1 COVER SHEET
- 2 INDEX OF SHEETS AND HIGHWAY STANDARDS
- 3 GENERAL NOTES AND COMMITMENTS
- 4-9 SUMMARY OF QUANTITIES
- 10 SCHEDULE OF QUANTITIES
- 11 MAINTENANCE OF TRAFFIC NOTES
- 12-14 MAINTENANCE OF TRAFFIC TYPICAL SECTIONS
- 15-16 DETOUR PLAN
- 17 MAINTENANCE OF TRAFFIC SIGNS
- 18-19 MAINTENANCE OF TRAFFIC STAGE 1 - 130TH STREET
- 20-21 MAINTENANCE OF TRAFFIC STAGE 2 - 130TH STREET
- 22-23 MAINTENANCE OF TRAFFIC STAGE 3 - 130TH STREET
- 24 MAINTENANCE OF TRAFFIC STAGE 1 - I-94
- 25 PROPOSED MEDIAN PLAN - I-94
- 26-27 REMOVAL PLAN - 130TH STREET
- 28-29 PROPOSED MEDIAN AND PAVEMENT MARKING PLAN - 130TH STREET
- 30 PROPOSED GUARDRAIL PLAN - I-94
- 31-34 TEMPORARY TRAFFIC SIGNAL
- ~~34A RAMP OVERLAY TYPICAL SECTIONS~~
- ~~34B PROPOSED RAMP OVERLAY PLAN - NE RAMP~~
- ~~34C PROPOSED RAMP OVERLAY PLAN - SW RAMP~~
- 35 GENERAL PLAN AND ELEVATION - SN 016-2434
- 36 GENERAL NOTES AND BILL OF MATERIALS - SN 016-2434
- 37 MAINTENANCE OF TRAFFIC DETAILS - SN 016-2434
- 38 DECK & APPROACH SLABS REPAIRS AND OVERLAY PLANS - SN 016-2434
- 39 ADJUSTING DRAINAGE SCUPPER DETAILS - SN 016-2434
- 40 JOINT REPAIR LIMITS - SN 016-2434
- 41 EXPANSION JOINT DETAILS - SN 016-2434
- 42 PREFORMED JOINT STRIP SEAL - SN 016-2434
- 43 JOINTS AND BRIDGE DRAINAGE AS-BUILT PLANS - SN 016-2434
- 44 PIER 1 REPAIRS - SN 016-2434
- 45 PIER 2 REPAIRS - SN 016-2434
- 46 PIER 3 REPAIRS - SN 016-2434
- 47 EAST AND WEST ABUTMENT REPAIRS - SN 016-2434
- 48 BAR SPLICER ASSEMBLY - SN 016-2434
- 49 GENERAL PLAN AND ELEVATION - SN 016-2600
- 50 GENERAL NOTES AND BILL OF MATERIALS - SN 016-2600
- 51 MAINTENANCE OF TRAFFIC DETAILS - SN 016-2600
- 52 DECK & APPROACH SLABS REPAIRS AND OVERLAY PLANS - SN 016-2600
- 53 JOINT REPAIR LIMITS - SN 016-2600
- 54 EXPANSION JOINT DETAILS - SN 016-2600
- 55 PREFORMED JOINT STRIP SEAL - SN 016-2600
- 56 JOINTS AND BRIDGE DRAINAGE AS-BUILT PLANS - SN 016-2600
- 57 BEARING REPLACEMENT LOCATIONS - SN 016-2600
- 58 NEW BEARING DETAILS - SN 016-2600
- 59 BEARING DETAILS - AS-BUILT PLANS - SN 016-2600
- 60 PARAPET AND HANDRAIL REPAIR - SN 016-2600
- 61 FENCE RAIL REPAIR - AS-BUILT PLANS - SN 016-2600
- 62 EAST ABUTMENT REPAIR - SN 016-2600
- 63 WEST ABUTMENT REPAIR - SN 016-2600
- 63A VAULTED ABUTMENT DOOR DETAIL
- 64 PIER REPAIR - SN 016-2600
- 65 BAR SPLICER ASSEMBLY - SN 016-2600
- 66 GENERAL NOTES, BILL OF MATERIALS AND LEGEND - 130TH ST. OVER I-94
- 67 UNDERPASS LIGHTING REMOVAL PLAN - 130TH ST. OVER I-94
- 68 UNDERPASS LIGHTING PROPOSED PLAN - 130TH ST. OVER I-94
- 69 SINGLE LINE WIRING DIAGRAM - 130TH ST. OVER I-94
- 70 MISC. ELECTRICAL DETAILS SHEET A - 130TH ST. OVER I-94
- 71-71A SUSPENDED MOUNT LED UNDERPASS LUMINAIRE INSTALLATION DETAILS - 130TH ST. OVER I-94
- 72 BD-49 DETAIL FOR CENTERLINE SAW CUT 16' AND VARIABLE JOINTED PCC PAVEMENT FOR RAMPS
- ~~72A BD-32 BUTT JOINT AND HMA TAPER DETAILS~~
- ~~73-76 BM-21 REMOVE AND REERECT STEEL PLATE BEAM GUARDRAIL~~
- ~~76A PD-11 CRACK & JOINT SEALING DETAIL~~
- 77 TC-08 ENTRANCE AND EXIT RAMP CLOSURE DETAILS
- 78 TC-10 TRAFFIC CONTROL AND PROTECTION FOR SIDE ROADS, INTERSECTIONS, AND DRIVEWAYS
- 79 TC-13 DISTRICT ONE TYPICAL PAVEMENT MARKINGS
- 80 TC-14 TRAFFIC CONTROL AND PROTECTION AT TURN BAYS (TO REMAIN OPEN TO TRAFFIC)
- 81 TC-16 SHORT TERM PAVEMENT MARKING LETTERS AND SYMBOLS
- 82 TC-17 TRAFFIC CONTROL DETAILS FOR FREEWAY SHOULDER CLOSURES AND PARTIAL RAMP CLOSURES
- 83 TC-18 FREEWAY/EXPRESSWAY SIGNING FOR FLAGGING OPERATIONS AT WORK ZONE OPENINGS ON FREEWAYS/EXPRESSWAYS
- 84 TC-21 DETOUR SIGNING FOR CLOSING STATE HIGHWAYS
- 85 TC-22 ARTERIAL ROAD INFORMATION SIGN

IDOT HIGHWAY STANDARDS

- 000001-08 STANDARD SYMBOLS, ABBREVIATIONS, AND PATTERNS
- 001006 DECIMAL OF AN INCH AND OF A FOOT
- 420001-09 PAVEMENT JOINTS
- 606001-07 CONCRETE CURB TYPE B AND COMBINATION CONCRETE CURB AND GUTTER
- 606301-04 PC CONCRETE ISLANDS AND MEDIANS
- 630001-12 STEEL PLATE BEAM GUARDRAIL
- 630301-09 SHOULDER WIDENING FOR TYPE I (SPECIAL) GUARDRAIL TERMINALS
- 631011-10 TRAFFIC BARRIER TERMINAL, TYPE 2
- 643001-02 SAND MODULE IMPACT ATTENUATORS
- 701106-02 OFF-ROAD OPERATIONS, MULTILANE, MORE THAN 15' (4.5 M) AWAY
- 701400-10 APPROACH TO LANE CLOSURE, FREEWAY/EXPRESSWAY
- 701401-12 LANE CLOSURE, FREEWAY/EXPRESSWAY
- 701411-09 LANE CLOSURE, MULTILANE, AT ENTRANCE OR EXIT RAMP, FOR SPEEDS ? 45 MPH
- 701427-05 LANE CLOSURE, MULTILANE, INTERMITTENT OR MOVING OPERATIONS, FOR SPEEDS ? 40 MPH
- 701428-01 TRAFFIC CONTROL SETUP AND REMOVAL FREEWAY/EXPRESSWAY
- 701446-11 TWO LANE CLOSURE, FREEWAY/EXPRESSWAY
- 701601-09 URBAN LANE CLOSURE, MULTILANE, 1W OR 2W, WITH NONTRAVERSABLE MEDIAN
- 701606-10 URBAN SINGLE LANE CLOSURE, MULTILANE, 2W WITH MOUNTABLE MEDIAN
- 701611-01 URBAN HALF ROAD CLOSURE, MULTILANE, 2W WITH MOUNTABLE MEDIAN
- 701701-10 URBAN LANE CLOSURE, MULTILANE, INTERSECTION
- 701901-08 TRAFFIC CONTROL DEVICES
- 704001-08 TEMPORARY CONCRETE BARRIER
- 725001-01 OBJECT AND TERMINAL MARKERS
- 780001-05 TYPICAL PAVEMENT MARKINGS
- 782006-01 GUARDRAIL AND BARRIER WALL REFLECTOR MOUNTING DETAILS
- 880001-01 SPAN WIRE MOUNTED SIGNALS AND FLASHING BEACON INSTALLATION

MODEL: D:\64bit...
 FILE NAME: PL010058...
 IDOT\040058\01-002 (ENG) - 130th St. I-94-RRK5500 Drawings\502_CADD_Sheets\12162141-1-130thSt.dwg
 311 S. Wacker Drive, Suite 1950
 Chicago, Illinois 60606
 312-474-0500
 www.bowmanconsulting.com



USER NAME = khejtanek	DESIGNED - KH	REVISED - 5-14-2021
DRAWN - KM	REVISIONS	
PLOT SCALE = 2,0000' / 1in.	CHECKED - AP	REVISIONS
PLOT DATE = 3/17/2021	DATE - 3/17/2021	REVISIONS

**STATE OF ILLINOIS
DEPARTMENT OF TRANSPORTATION**

INDEX OF SHEETS AND HIGHWAY STANDARDS

SCALE: NONE SHEET 1 OF 1 SHEETS STA. TO STA.

F.A.P. RTE.	SECTION	COUNTY	TOTAL SHEETS	SHEET NO.
344	2020-196-T	DUPAGE	85	2
CONTRACT NO. 62M69				
ILLINOIS		FED. AID PROJECT		

1 REVISION
REVISED SHEET 5/24/2021

MODEL: C:\p\c\p\...
 FILE NAME: P:\0\0058...
 I:\DOT\0058-01-002 (ENG)...
 Phase II Ver. Van Engineering\WO 2 - 130th at 194-RR1500 Drawings\502 CADD Sheets\162M41-ent-50001.dgn

CODE NO.	ITEM	UNIT	TOTAL QUANTITY URBAN	CONSTRUCTION CODE	
				80% FED 20% STATE	
				BRIDGE REHAB 0059 SN 016-2434	BRIDGE REHAB 0059 SN 016-2600
20200100	EARTH EXCAVATION	CU YD	224		224
31101200	SUBBASE GRANULAR MATERIAL, TYPE B 4"	SQ YD	576		576
44000100	PAVEMENT REMOVAL	SQ YD	576		576
44000500	COMBINATION CURB AND GUTTER REMOVAL	FOOT	668		668
44003100	MEDIAN REMOVAL	SQ FT	6,532		6,532
44200573	CLASS A PATCHES, TYPE I, 12 INCH	SQ YD	20		20
50102400	CONCRETE REMOVAL	CU YD	48.3	19.1	29.2
44200577	CLASS A PATCHES, TYPE II, 12 INCH	SQ YD	20		20
50157300	PROTECTIVE SHIELD	SQ YD	2,728	650	2,078
44200581	CLASS A PATCHES, TYPE III, 12 INCH	SQ YD	40		40
50300225	CONCRETE STRUCTURES	CU YD	19.1		19.1
44200583	CLASS A PATCHES, TYPE IV, 12 INCH	SQ YD	720		720
50300255	CONCRETE SUPERSTRUCTURE	CU YD	48.3	19.1	29.2
⚠ 40600290	BITUMINOUS MATERIALS (TACK COAT)	POUND	2,361		2,361
50300260	BRIDGE DECK GROOVING	SQ YD	6,693	2,761	3,932
⚠ 40600985	PORTLAND CEMENT AND CONCRETE SURFACE REMOVAL - BUTT JOINT	SQ YD	380		380
50300300	PROTECTIVE COAT	SQ YD	7,053	2,959	4,094
⚠ 40603200	POLYMERIZED HOT-MIX ASPHALT BINDER COURSE, 1L-4.75, N50	TON	296		296
50800205	REINFORCEMENT BARS, EPOXY COATED	POUND	7,950	2,560	5,390
⚠ 40604172	POLYMERIZED HOT-MIX ASPHALT SURFACE COURSE, 1L-9.5, MIX "E", N70	TON	517		517
50800515	BAR SPLICERS	EACH	44	22	22
⚠ 45200100	JOINT OR CRACK ROUTING (PC CONCRETE PAVEMENT AND SHOULDER)	FOOT	1,391		1,391
52000110	PREFORMED JOINT STRIP SEAL	FOOT	378.0	152.0	226.0
⚠ 45200300	JOINT OR CRACK FILLING	POUND	464		464
52100010	ELASTOMERIC BEARING ASSEMBLY, TYPE I	EACH	4		4



USER NAME = kmaus	DESIGNED - KH	REVISED -
DRAWN - KM	REVISIONS -	
PLOT SCALE = 2.0000' / in.	CHECKED - AP	REVISED -
PLOT DATE = 3/17/2021	DATE - 3/17/2021	REVISED -

STATE OF ILLINOIS
DEPARTMENT OF TRANSPORTATION

SCALE: NONE				SHEET 1 OF 6 SHEETS				STA. TO STA.			
-------------	--	--	--	---------------------	--	--	--	--------------	--	--	--

SUMMARY OF QUANTITIES

REVISED SHEET 5/24/2021				REV-SEP			
F.A.P. RTE.	SECTION	COUNTY	TOTAL SHEETS	SHEET NO.			
0344	2020-261-BR	COOK	85	4			
				CONTRACT NO. 62M41			
				ILLINOIS FED. AID PROJECT			

MODEL: D:\p1\11... IDOT\040058-01-002 (ENG) - PTB 195-016 Phase II Vpr Vpr\Engineering\WO 2 - 130th at 194-RR1500 Drawing\502 CADD Sheets\162M41-2ht-50004.dgn
 FILE NAME: P1040058...

CODE NO.	ITEM	UNIT	TOTAL QUANTITY URBAN	CONSTRUCTION CODE	
				80% FED 20% STATE	
				BRIDGE REHAB 0059 SN 016-2434	BRIDGE REHAB 0059 SN 016-2600
* 78008210	POLYUREA PAVEMENT MARKING TYPE I - LINE 4"	FOOT	13,926		13,926
* 78008240	POLYUREA PAVEMENT MARKING TYPE I - LINE 8"	FOOT	5,997		5,997
* 78008250	POLYUREA PAVEMENT MARKING TYPE I - LINE 12"	FOOT	1,242		1,242
* 78200006	GUARDRAIL REFLECTORS, TYPE B	EACH	10		10
* 78200011	BARRIER WALL REFLECTORS, TYPE C	EACH	333		333
* 81100320	CONDUIT ATTACHED TO STRUCTURE, 1" DIA., PVC COATED GALVANIZED STEEL	FOOT	642		642
* 81100805	CONDUIT ATTACHED TO STRUCTURE, 3" DIA., PVC COATED GALVANIZED STEEL	FOOT	15		15
* 81300220	JUNCTION BOX, STAINLESS STEEL, ATTACHED TO STRUCTURE, 6"X6"X4"	EACH	12		12
* 81300530	JUNCTION BOX, STAINLESS STEEL, ATTACHED TO STRUCTURE, 12"X10"X6"	EACH	6		6
* 81300830	JUNCTION BOX, STAINLESS STEEL, ATTACHED TO STRUCTURE, 18"X18"X8"	EACH	2		2
* 81603081	UNIT DUCT, 600V, 3-1C NO. 2, 1/C NO.4 GROUND, (XLP-TYPE USE), 1 1/2" DIA. POLYETHYLENE	FOOT	200		200
* 81702110	ELECTRIC CABLE IN CONDUIT, 600V (XLP-TYPE USE) 1/C NO. 10	FOOT	2,136		2,136
* 82110021	LUMINAIRE, LED, UNDERPASS, WALL MOUNTED, OUTPUT DESIGNATION D	EACH	6		6
* 82110026	LUMINAIRE, LED, UNDERPASS, SUSPENDED, OUTPUT DESIGNATION D	EACH	6		6
89000100	TEMPORARY TRAFFIC SIGNAL INSTALLATION	EACH	2		2
<input type="checkbox"/> X0322215	CLEANING BRIDGE SCUPPERS AND DOWNSPOUTS	EACH	10	10	
X0323818	CLEANING AND PAINTING EXPOSED REBAR	SQ FT	24		24
X0327773	ACCESS DOOR	EACH	2		2

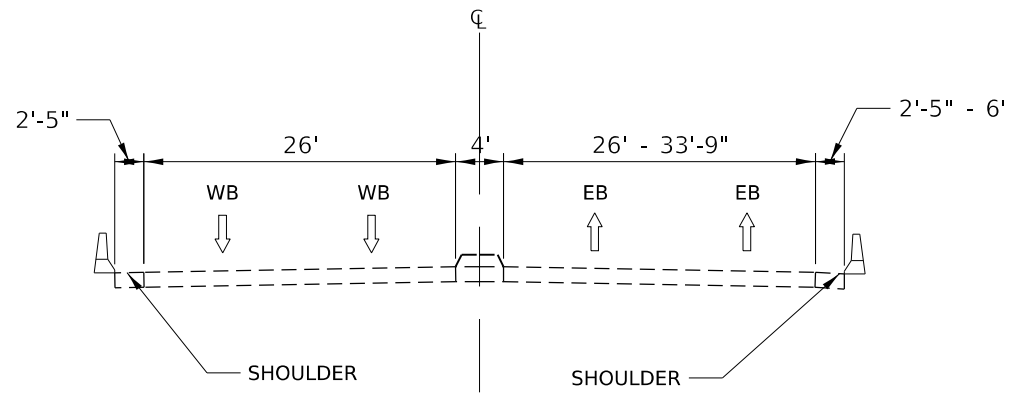
REVISED SHEET 5/24/2021 NON-PART 100% STATE * SPECIALTY ITEM REV-SEP

Bowman CONSULTING	311 S. Wacker Drive, Suite 1950 Chicago, Illinois 60606 312-474-0360 www.bowmanconsulting.com	USER NAME = kmaus	DESIGNED - KH	REVISED -
		DRAWN - KM	REVISIONS -	
		CHECKED - AP	REVISIONS -	
		DATE - 3/17/2021	REVISIONS -	

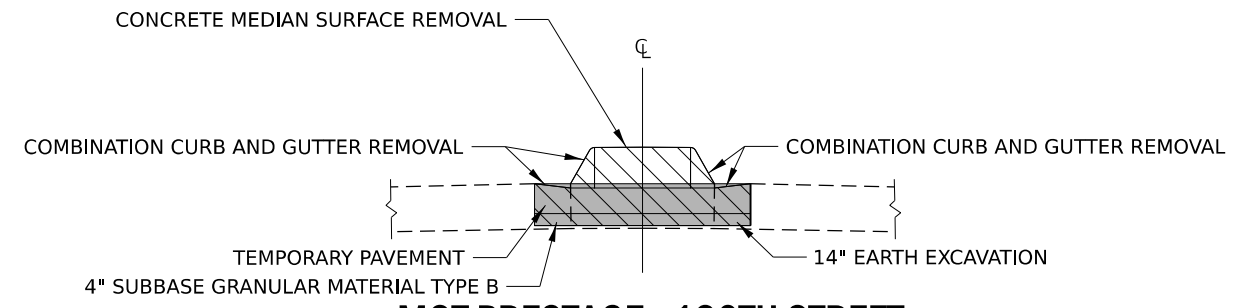
**STATE OF ILLINOIS
DEPARTMENT OF TRANSPORTATION**

SUMMARY OF QUANTITIES			
SCALE	SHEET	OF	SHEETS
SCALE: NONE	SHEET 4	OF 6	SHEETS

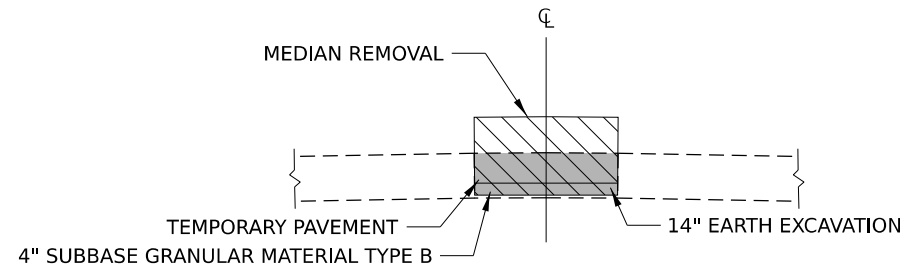
F.A.P. RTE.	SECTION	COUNTY	TOTAL SHEETS	SHEET NO.
0344	2020-261-BR	COOK	85	7
CONTRACT NO.			62M41	
ILLINOIS FED. AID PROJECT				



SN 016-2434 EXISTING TYPICAL SECTION - 130TH STREET
 BRIDGE OVER CSSS AND IHB RR
 STA 22+33.22 TO 26+42.76



MOT PRESTAGE - 130TH STREET
 STA 20+27.90 TO 21+69.40

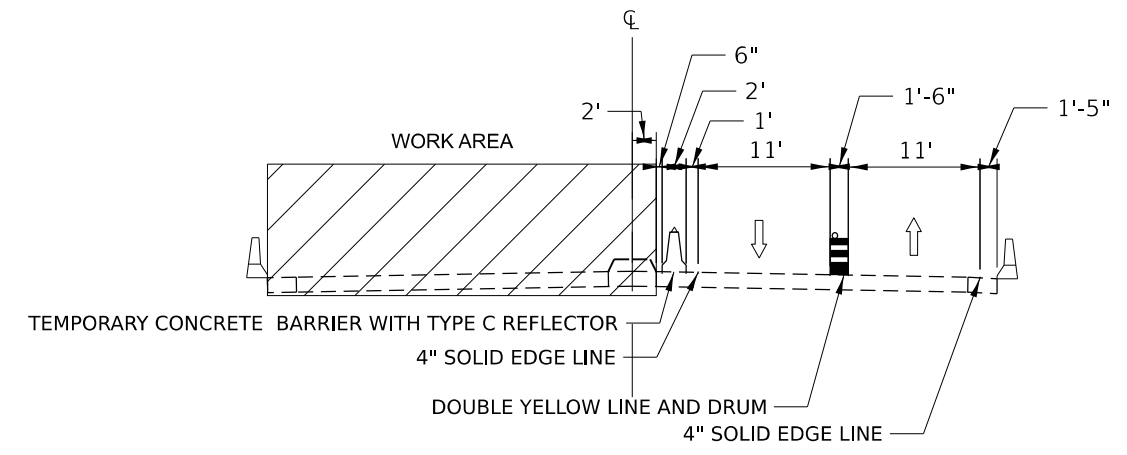


MOT PRESTAGE - 130TH STREET
 STA 27+49.29 TO 29+69.85
 STA 35+37.47 TO 36+09.54
 STA 41+69.28 TO 47+16.51

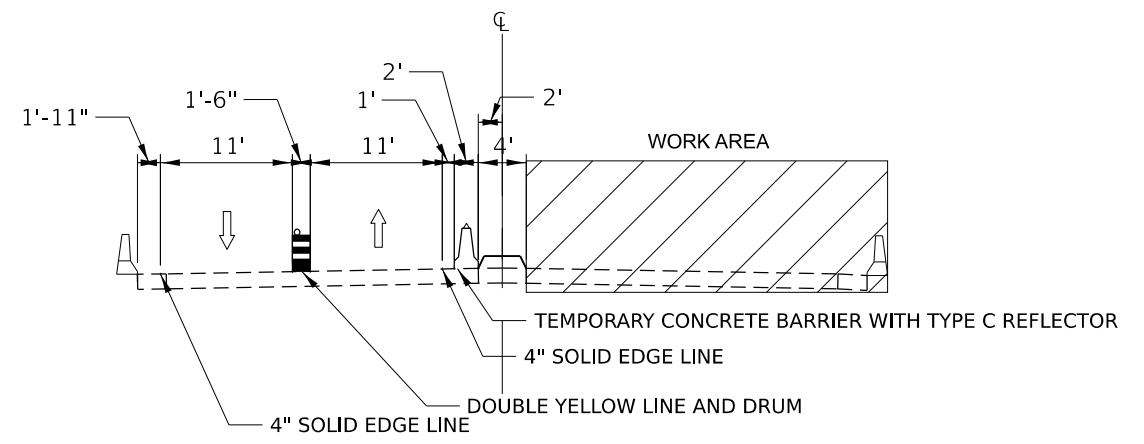
HMA MIX REQUIREMENTS TABLE			QMP
MIXTURE TYPE	AIR VOIDS @ NDES		
OPTION 1 - TEMPORARY HMA PAVEMENT			
10" HOT-MIX ASPHALT BINDER COURSE, 1L-19.0, N70	4% @ 70 GYR.		QC/QA
RAMP OVERLAY - NE & SW			
POLYMERIZED HOT-MIX ASPHALT SURFACE COURSE, 1L-9.5, MIX "E", N70 (1 3/4")	4.0% @ 70 GYR		QC/QA
POLYMERIZED HOT-MIX ASPHALT BINDER COURSE, 1L-4.75, N50 (1")	3.5% @ 50 GYR		QC/QA

QMP DESIGNATIONS: QUALITY CONTROL/QUALITY ASSURANCE (QC/QA)

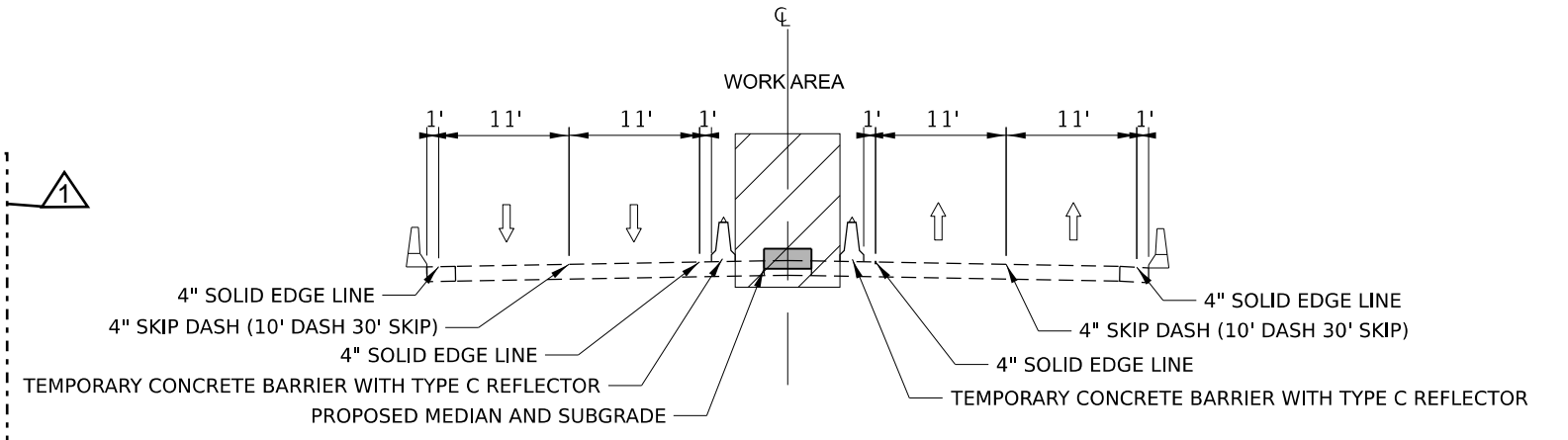
NOTES:
 1. THE "AC TYPE" FOR POLYMERIZED HMA MIXES SHALL BE "SBS/SBR PG-76-22" AND FOR NON-POLYMERIZED HMA THE "AC TYPE" SHALL BE "PG 64-22" UNLESS MODIFIED BY SPECIAL PROVISIONS.
 2. FOR USE OF RECYCLED MATERIALS SEE SPECIAL PROVISIONS.
 3. QUALITY MANAGEMENT PROGRAM (QMP) IDENTIFIES THE PARTICULAR QUALITY CONTROL SPECIFICATION THAT APPLIES TO THE HMA MIXTURE.
 4. TEMPORARY PAVEMENT OPTION 2 IS 8" TEMPORARY PCC. THIS SHALL CONSIST OF CLASS PV CONCRETE MEETING THE REQUIREMENTS OF ART 1020 OF THE STANDARD SPECIFICATIONS. TEMPORARY PCC PAVEMENT DOES NOT REQUIRE DOWEL BARS.
 5. BOTH TEMPORARY PAVEMENT OPTIONS WILL INCLUDE 4" SUBBASE GRANULAR MATERIAL TYPE B (CA-6). THIS ITEM WILL BE PAID PER SQUARE YARD (PAY ITEM NUMBER 31101200).



SN 016-2434 STAGE 1 TYPICAL SECTION - 130TH STREET
 BRIDGE OVER CSSS AND IHB RR
 STA 22+33.22 TO 26+42.76



SN 016-2434 STAGE 2 TYPICAL SECTION - 130TH STREET
 BRIDGE OVER CSSS AND IHB RR
 STA 22+33.22 TO 26+42.76



SN 016-2434 STAGE 3 TYPICAL SECTION - 130TH STREET
 BRIDGE OVER CSSS AND IHB RR
 STA 22+33.22 TO 26+42.76

MODEL: D:\dwg\11...
 FILE NAME: P:\010059...
 PLOT SCALE = 40.0000 "/>



USER NAME = khejmanek	DESIGNED - KH	REVISED - 5-14-2021
PLOT SCALE = 40.0000 "/>		

STATE OF ILLINOIS DEPARTMENT OF TRANSPORTATION

MAINTENANCE OF TRAFFIC - TYPICAL SECTIONS
SN 016-2434

F.A.P. RTE.	SECTION	COUNTY	TOTAL SHEETS	SHEET NO.
0344	2020-261-BR	COOK	85	12
		CONTRACT NO. 62M41		
ILLINOIS FED. AID PROJECT				

REVISED SHEET 5/24/2021

WESTBOUND I-94 TO WESTBOUND
130TH STREET DETOUR ROUTE
(FULL RAMP CLOSURE)
REFER TO 130TH ST MOT STAGE 1

DETOUR NOTES

SEE MAINTENANCE OF TRAFFIC PLANS FOR TRAFFIC MODIFICATION DETAILS.

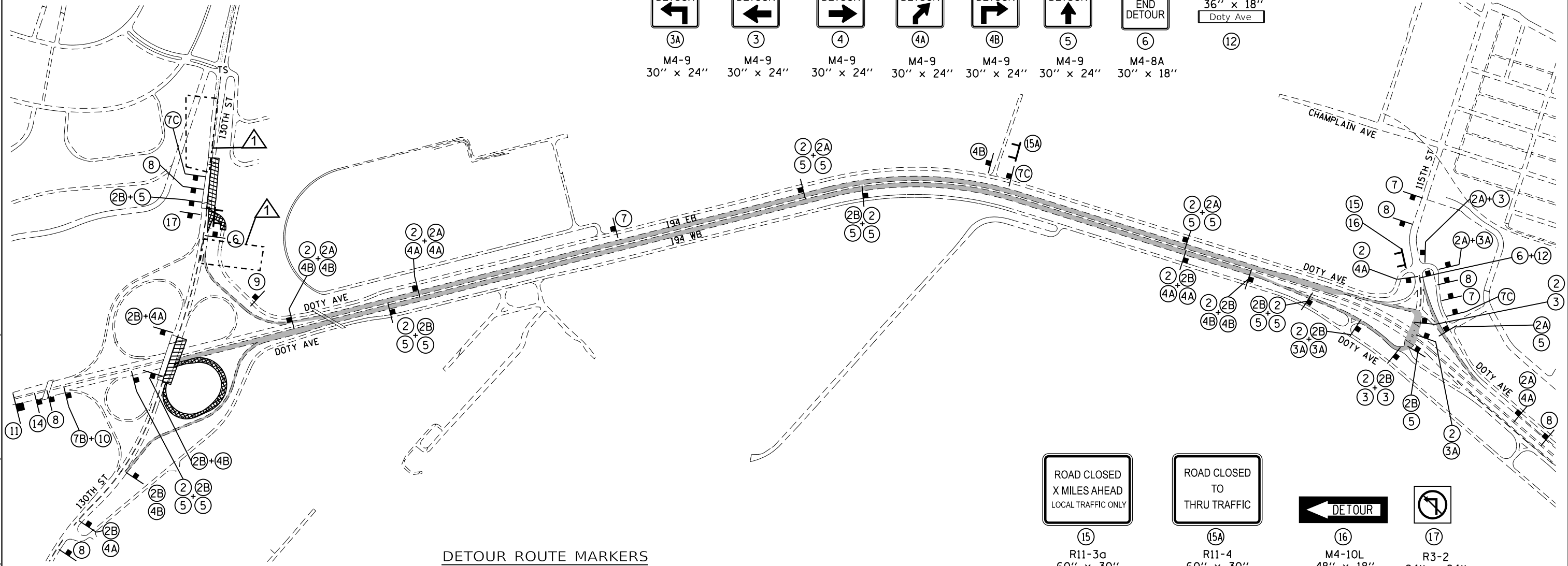
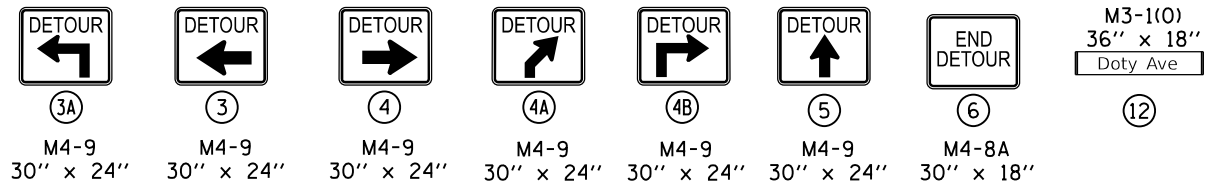
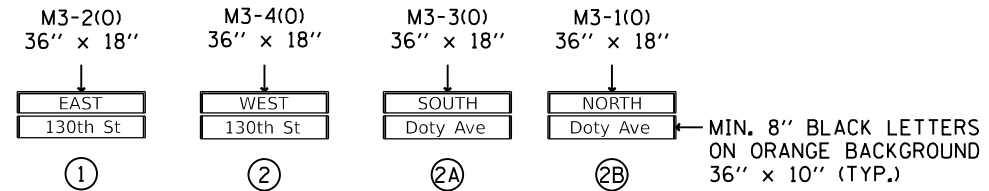
DETOUR SIGNAGE SHALL BE CONSIDERED INCLUDED IN THE COST FOR TEMPORARY TRAFFIC CONTROL AND PROTECTION (SPECIAL) EXCEPT AS OTHERWISE NOTED.

THE CONTRACTOR SHALL NOT OBSTRUCT ANY EXISTING SIGN WITH THE PLACEMENT OF DETOUR SIGNAGE.

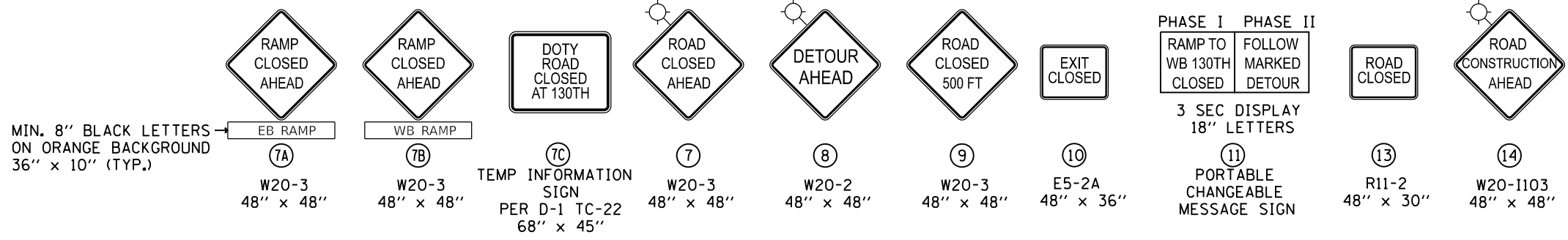
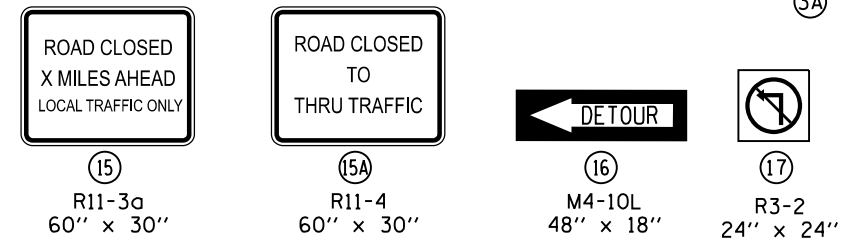
REFER TO DETAIL TC-08 FOR RAMP CLOSURE ADVANCE WARNING SIGN REQUIRED ON ALL EXIT GUIDE SIGNS

DETOUR WILL REMAIN IN PLACE FOR DOTY AVE STAGE 1 AND STAGE 2

DETOUR ROUTE MARKERS



DETOUR ROUTE MARKERS



LEGEND

TS SIGNALIZED INTERSECTION

PARTIALLY CLOSED PORTION (SEE MAINTENANCE OF TRAFFIC PLAN)

FULLY CLOSED PORTION (SEE MAINTENANCE OF TRAFFIC PLAN)

DETOUR ROUTE

TYPE III BARRICADE

TEMPORARY DETOUR SIGN

CHANGEABLE MESSAGE SIGN

REVISSED SHEET 5/24/2021

SCALE IN FEET 0 400 800 1200

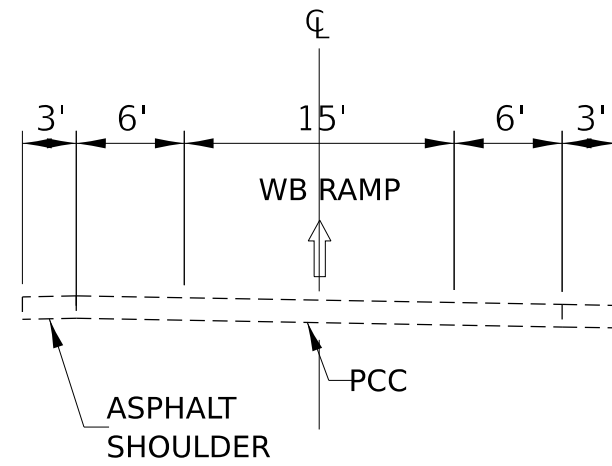
MODEL: Stage 1 (Sheet) FILE NAME: P:\040055 - DOT\040055-01\02 (ENG) - PTB 195-016 Phase II\For Vort\Engineering\195-02-130th at I94-RR\500 Drawings\502 CABD Sheets\162M41-514-01-01.dwg
 311 S. Wacker Drive, Suite 1950 Chicago, Illinois 60606 312-474-6500 www.bowman.com

Bowman	USER NAME - khejtmanek	DESIGNED - KH	REVISED - 5-14-2021
	PLOT SCALE = 0.166666' / in.	DRAWN - KM	REVISED -
	PLOT DATE = 3/17/2021	CHECKED - AP	REVISED -
		DATE - 3/17/2021	REVISED -

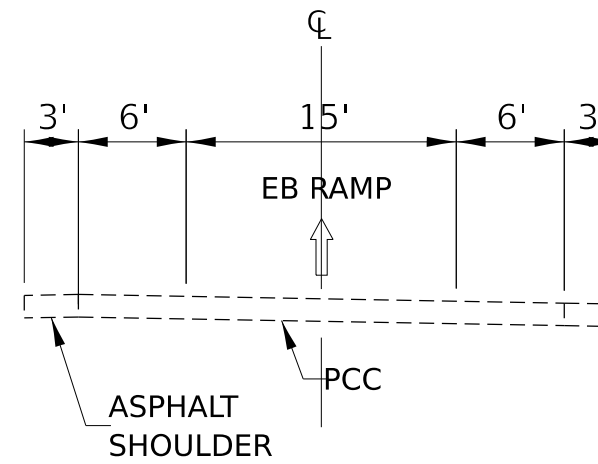
**STATE OF ILLINOIS
DEPARTMENT OF TRANSPORTATION**

DETOUR PLAN - STAGE 1			
SCALE:	SHEET 1	OF 2 SHEETS	STA. TO STA.

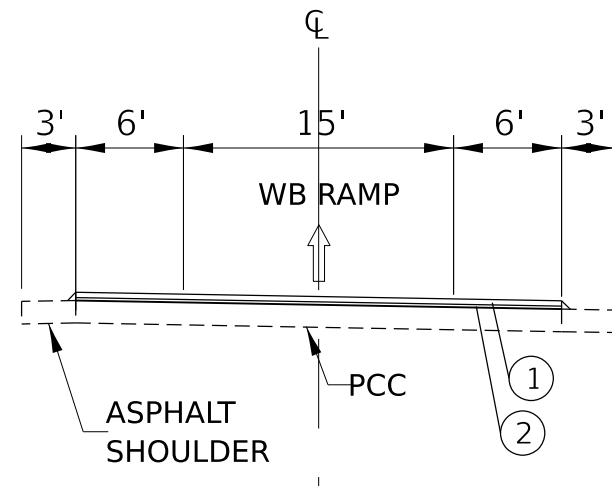
F.A.P. RTE.	SECTION	COUNTY	TOTAL SHEETS	SHEET NO.
0344	2020-261-BR	COOK	85	15
CONTRACT NO.			62M41	
ILLINOIS		FED. AID PROJECT		



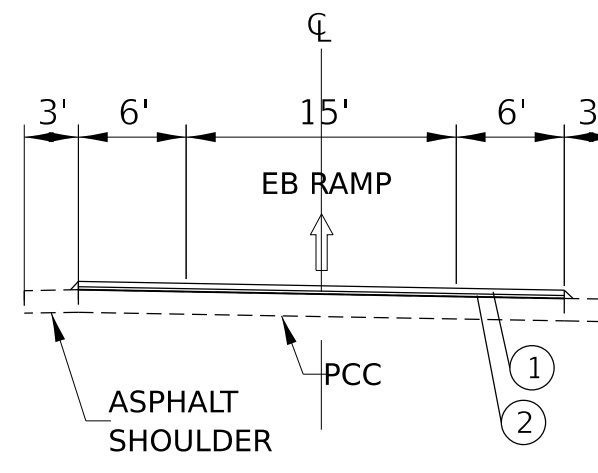
EXISTING TYPICAL SECTION
RAMP - WB I94 TO WB 130TH STREET



EXISTING TYPICAL SECTION
RAMP - EB I94 TO EB 130TH STREET



PROPOSED TYPICAL SECTION
RAMP - WB I94 TO WB 130TH STREET



PROPOSED TYPICAL SECTION
RAMP - EB I94 TO EB 130TH STREET

PROPOSED LEGEND

- ① POLYMERIZED HOT-MIX ASPHALT SURFACE COURSE, IL-9.5, MIX "E", N70 (1 3/4")
- ② POLYMERIZED HOT-MIX ASPHALT BINDER COURSE, IL-4.75, N50 (1")

M:\FILED\PROJECTS\00000000 - IDOT\04000000\002 (ENG) - PTB 195-016 Phase II Var Var\Engineering\WO 02 - 130th at I94-RR-500 Drawings\502_CADD_Sheets\12\2411-5th-Ramp\Sections.dgn
 FILED: 3/17/2021 10:00:00 AM



USER NAME = khejmanek	DESIGNED - KH	REVISED - 5-14-2021
DRAWN - KM	REVISED -	
PLOT SCALE = 16.0000' / in.	CHECKED - AP	REVISED -
PLOT DATE = 3/17/2021	DATE - 3/17/2021	REVISED -

STATE OF ILLINOIS
DEPARTMENT OF TRANSPORTATION

RAMP OVERLAY TYPICAL SECTIONS

SCALE: NONE SHEET OF SHEETS STA. TO STA.

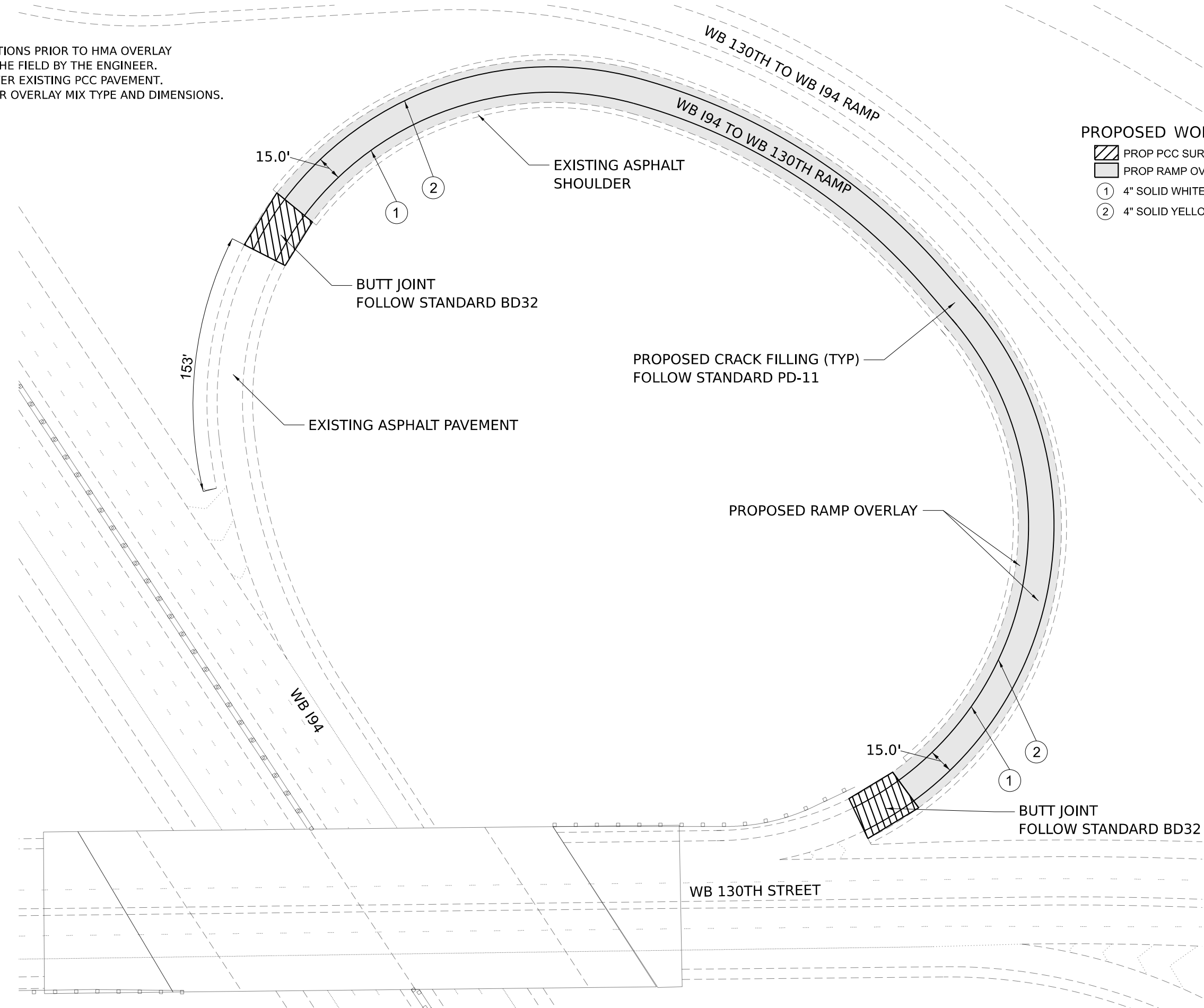
① ADDED ENTIRE SHEET 5/24/2021

F.A.P. RTE.	SECTION	COUNTY	TOTAL SHEETS	SHEET NO.
0344	2020-261-BR	COOK	85	34A
CONTRACT NO.			62M41	
ILLINOIS		FED. AID PROJECT		



NOTES:
 ALL CRACK SEALING LOCATIONS PRIOR TO HMA OVERLAY
 WILL BE DETERMINED IN THE FIELD BY THE ENGINEER.
 PROPOSED OVERLAY IS OVER EXISTING PCC PAVEMENT.
 SEE TYPICAL SECTIONS FOR OVERLAY MIX TYPE AND DIMENSIONS.

- PROPOSED WORK LEGEND AND SYMBOLS**
- PROP PCC SURFACE REMOVAL BUTT JOINT 30' TYP.
 - PROP RAMP OVERLAY
 - 4" SOLID WHITE LINE
 - 4" SOLID YELLOW LINE



MODEL Dwg.rvt
 FILE NAME: P:\00000000 - IDOT\04000000\01-002 (ENG) - PTB 195-016 Phase II Var Var\Engineer\dwg\WO 02 - 130th at 194-Ramp\500 Drawings\502_CADD_Sheets\102M41-5H-Ramp\NE.dwg

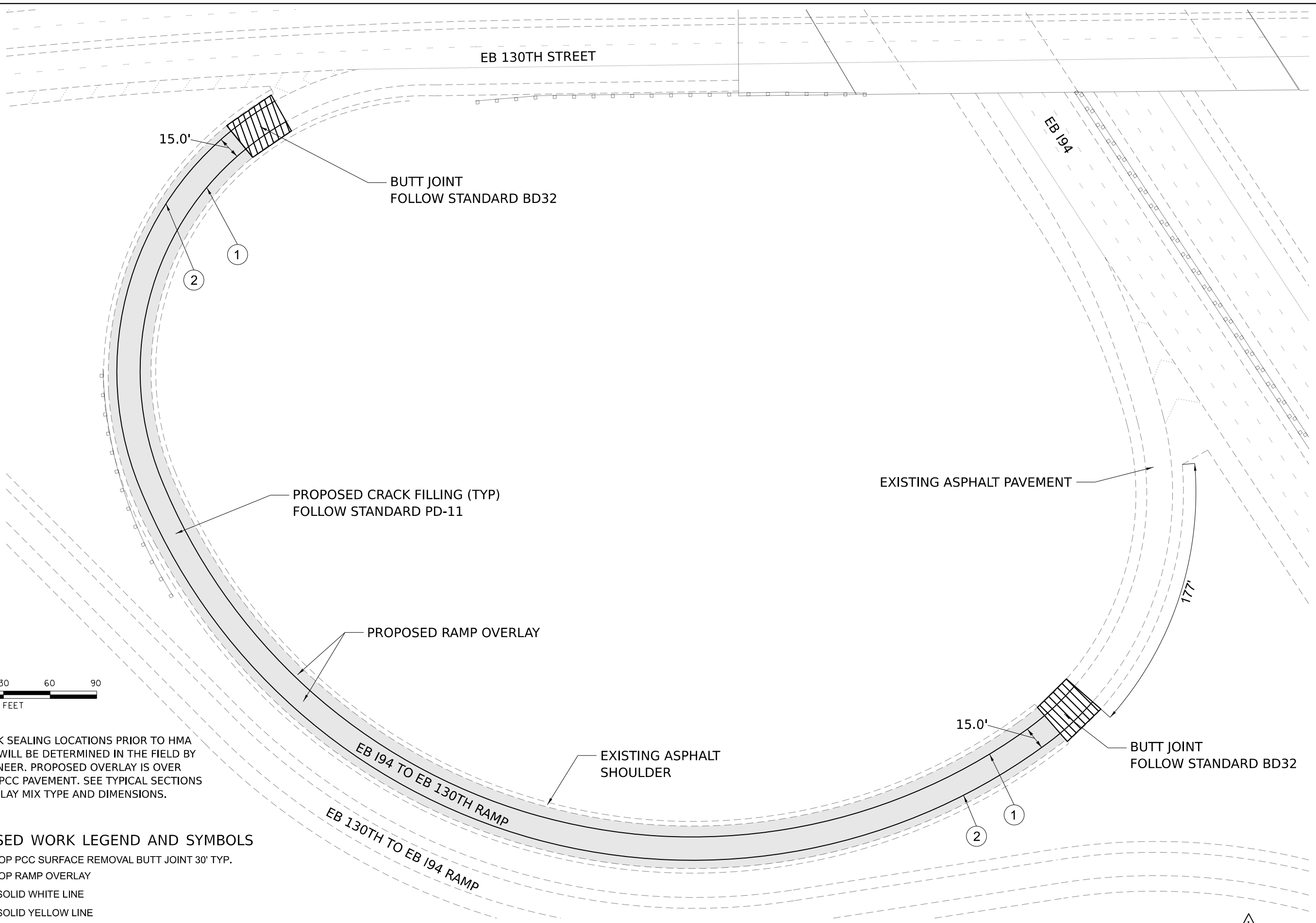
Bowman 311 S. Wacker Drive, Suite 1950 Chicago, Illinois 60606 312-474-6500 www.bowman.com	USER NAME = khejtmanek	DESIGNED - KH	REVISED - 5-14-2021
	PLOT SCALE = 60.0000' / in.	DRAWN - KM	REVISED -
	PLOT DATE = 3/17/2021	CHECKED - AP	REVISED -
		DATE - 3/17/2021	REVISED -

**STATE OF ILLINOIS
 DEPARTMENT OF TRANSPORTATION**

PROPOSED RAMP OVERLAY PLAN NE RAMP	
SCALE: NONE	SHEET 2 OF 4 SHEETS STA. _____ TO STA. _____

F.A.P. RTE. 0344	SECTION 2020-261-BR	COUNTY COOK	TOTAL SHEETS 85	SHEET NO. 34B
CONTRACT NO. 62M41			ILLINOIS FED. AID PROJECT	

ADDED ENTIRE SHEET 5/24/2021



EB 130TH STREET

EB 194

15.0'

BUTT JOINT
FOLLOW STANDARD BD32

1

2

PROPOSED CRACK FILLING (TYP)
FOLLOW STANDARD PD-11

EXISTING ASPHALT PAVEMENT

PROPOSED RAMP OVERLAY

EXISTING ASPHALT
SHOULDER

15.0'

BUTT JOINT
FOLLOW STANDARD BD32

1

2

EB 194 TO EB 130TH RAMP
EB 130TH TO EB 194 RAMP

177



NOTES:
ALL CRACK SEALING LOCATIONS PRIOR TO HMA OVERLAY WILL BE DETERMINED IN THE FIELD BY THE ENGINEER. PROPOSED OVERLAY IS OVER EXISTING PCC PAVEMENT. SEE TYPICAL SECTIONS FOR OVERLAY MIX TYPE AND DIMENSIONS.

PROPOSED WORK LEGEND AND SYMBOLS

- PROP PCC SURFACE REMOVAL BUTT JOINT 30' TYP.
- PROP RAMP OVERLAY
- 4" SOLID WHITE LINE
- 4" SOLID YELLOW LINE

MODEL: D:\4441...
 FILE: 26041E_PLC00039...
 MODEL: D:\4441...
 FILE: 26041E_PLC00039...



USER NAME = khejtmanek	DESIGNED - KH	REVISED - 5-14-2021
DRAWN - KM	REVISIONS -	
PLOT SCALE = 60.0000 ' / in.	CHECKED - AP	REVISIONS -
PLOT DATE = 3/17/2021	DATE - 3/17/2021	REVISIONS -

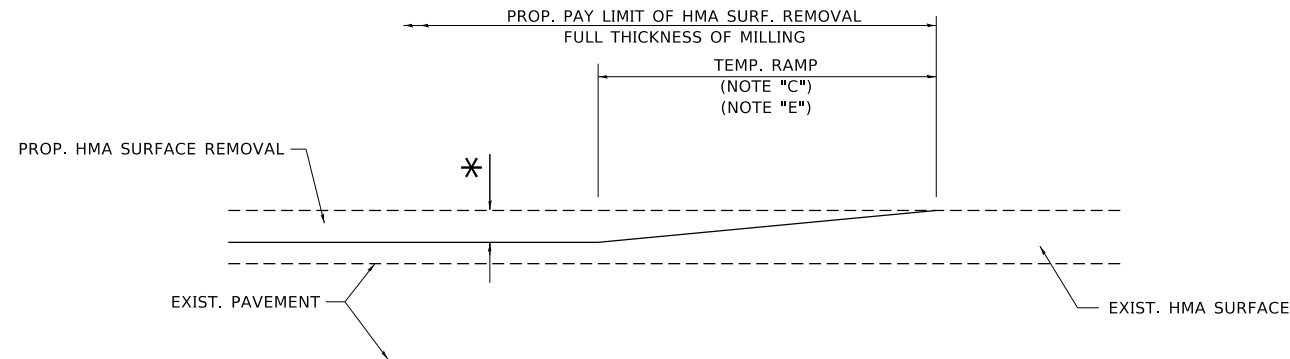
**STATE OF ILLINOIS
DEPARTMENT OF TRANSPORTATION**

**PROPOSED RAMP OVERLAY PLAN
SW RAMP**

SCALE: NONE SHEET OF SHEETS STA. TO STA.

F.A.P. RTE. 0344	SECTION 2020-261-BR	COUNTY COOK	TOTAL SHEETS 85	SHEET NO. 34C
CONTRACT NO. 62M41			ILLINOIS FED. AID PROJECT	

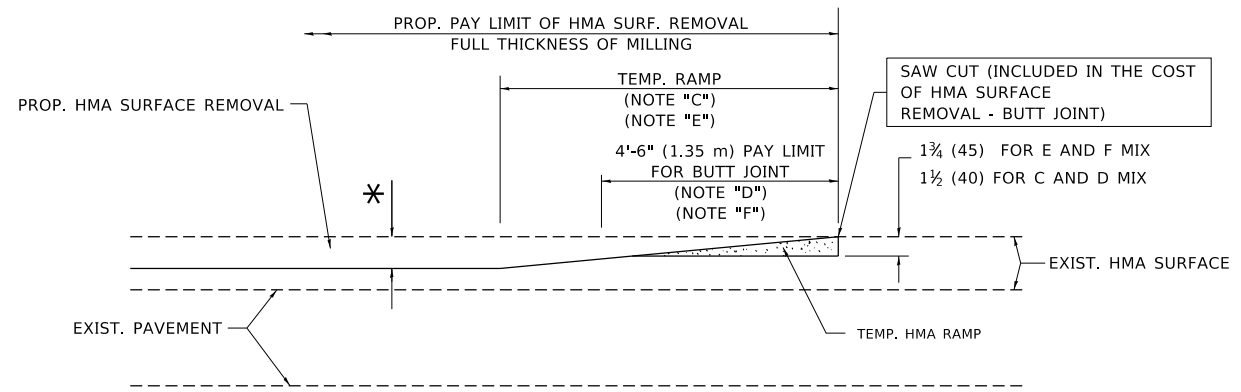
ADDED ENTIRE SHEET 5/24/2021



MILLED TEMPORARY RAMP

(FOR BUTT JOINT AND HMA TAPER SEE DETAIL BELOW)

OPTION 1

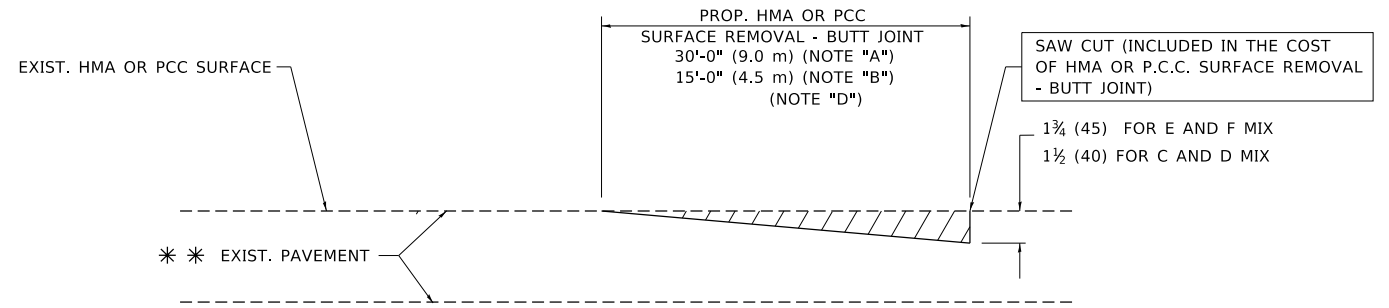


HMA CONSTRUCTED TEMPORARY RAMP

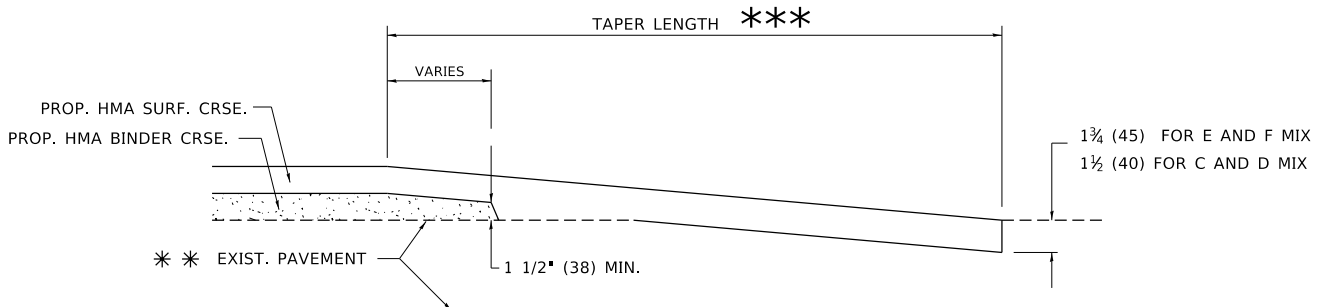
(FOR BUTT JOINT AND HMA TAPER SEE DETAIL BELOW)

OPTION 2

TYPICAL TEMPORARY RAMP



BUTT JOINT DETAIL



HMA TAPER DETAIL

TYPICAL BUTT JOINT AND HMA TAPER FOR RESURFACING ONLY

** PC CONCRETE, HMA OR HMA RESURFACED PAVEMENT.

NOTES

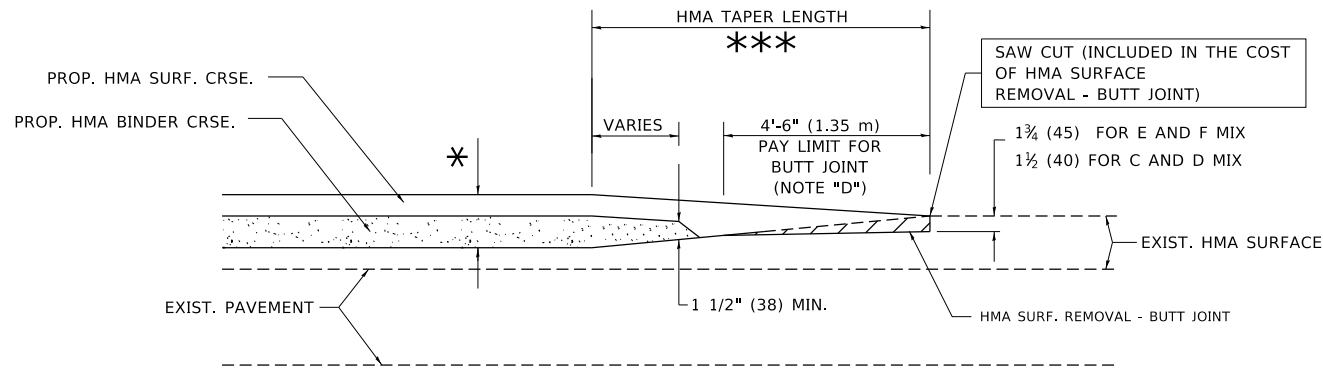
- A. MAINLINE ROADWAYS AND MAJOR SIDE ROADS.
- B. MINOR SIDE ROADS.
- C. THE TEMP. RAMP SHALL BE CONSTRUCTED IMMEDIATELY UPON REMOVAL OF THE EXISTING HMA SURFACE.
- D. THE BUTT JOINT SHALL BE CONSTRUCTED IMMEDIATELY PRIOR TO PLACING THE PROPOSED HMA COURSES.
- E. TAPER THE TEMP. RAMP AT A RATE OF 3'-0" (900 mm) PER 1 INCH (25 mm) OF MILLING THICKNESS.
- F. INSTALLATION AND REMOVAL OF THE 4'-6" (1.35 m) TEMP. RAMP IS INCLUDED IN COST OF HMA SURFACE REMOVAL - BUTT JOINT.
* SEE TYPICAL SECTIONS FOR MILLING THICKNESS.
- G. SEE ARTICLE 406.08 AND 406.14 OF THE STANDARD SPECIFICATIONS FOR "HMA AND/OR PCC SURFACE REMOVAL, BUTT JOINT".
*** 20'-0" (6.1 m) PER 1 (25) RESURFACING (NOTE "A")
10'-0" (3.0 m) PER 1 (25) RESURFACING (NOTE "B")

BASIS OF PAYMENT

THE BUTT JOINT WILL BE PAID FOR AT THE CONTRACT UNIT PRICE PER SQUARE YARD (SQUARE METER) FOR "HOT-MIX ASPHALT SURFACE REMOVAL - BUTT JOINT" OR FOR "PORTLAND CEMENT CONCRETE SURFACE REMOVAL - BUTT JOINT".

ALL DIMENSIONS ARE IN INCHES (MILLIMETERS) UNLESS OTHERWISE SHOWN.

1 ADDED ENTIRE SHEET 5/24/2021



BUTT JOINT AND HMA TAPER

TYPICAL BUTT JOINT AND HMA TAPER FOR MILLING AND RESURFACING

USER NAME = footemj	DESIGNED - M. DE YONG	REVISED - R. SHAH 10-25-94
	DRAWN -	REVISED - A. ABBAS 03-21-97
PLOT SCALE = 50.0000' / in.	CHECKED -	REVISED - M. GOMEZ 04-06-01
PLOT DATE = 3/27/2019	DATE - 06-13-90	REVISED - R.BORO 01-01-07

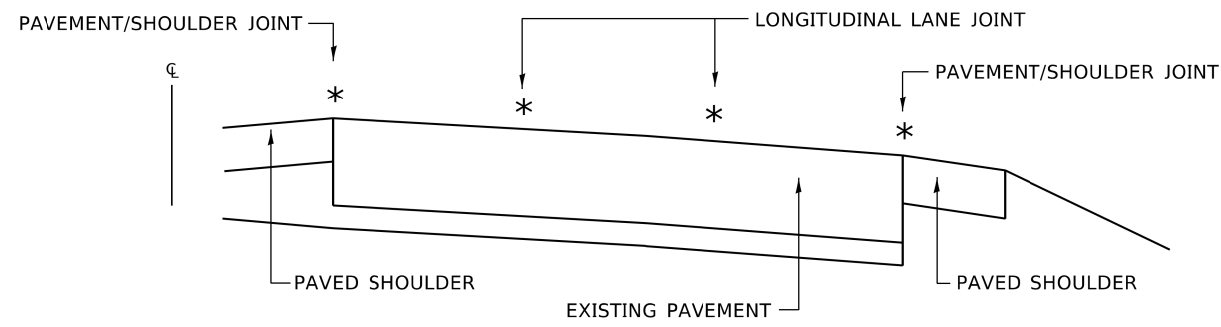
STATE OF ILLINOIS
DEPARTMENT OF TRANSPORTATION

BUTT JOINT AND HMA TAPER DETAILS

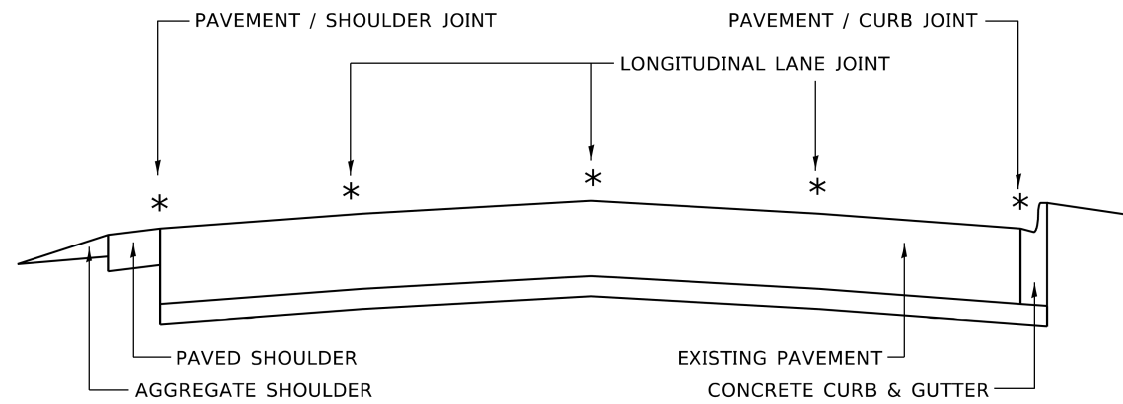
SCALE: NONE SHEET 1 OF 1 SHEETS STA. TO STA.

F.A. RTE.	SECTION	COUNTY	TOTAL SHEETS	SHEET NO.
0344	2020-261-BR	COOK	85	72A
BD400-05 BD32		CONTRACT NO. 62M41		
ILLINOIS FED. AID PROJECT				

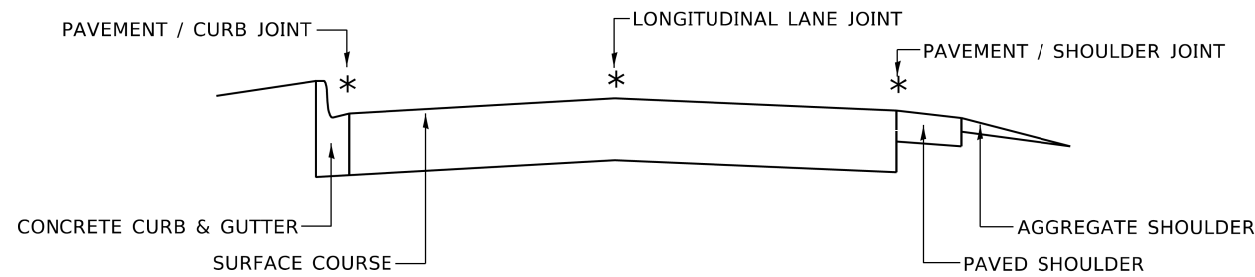
MODEL: D:\default
 FILE: MAME: p:\p\planroom\dot\illinois\pvc\p\DOT\Documents\DOT - Office\District 1\Projects\DH540223A\CADD\DrawCAD\sheet\bd32.dgn



MULTI-LANE DIVIDED PAVEMENT



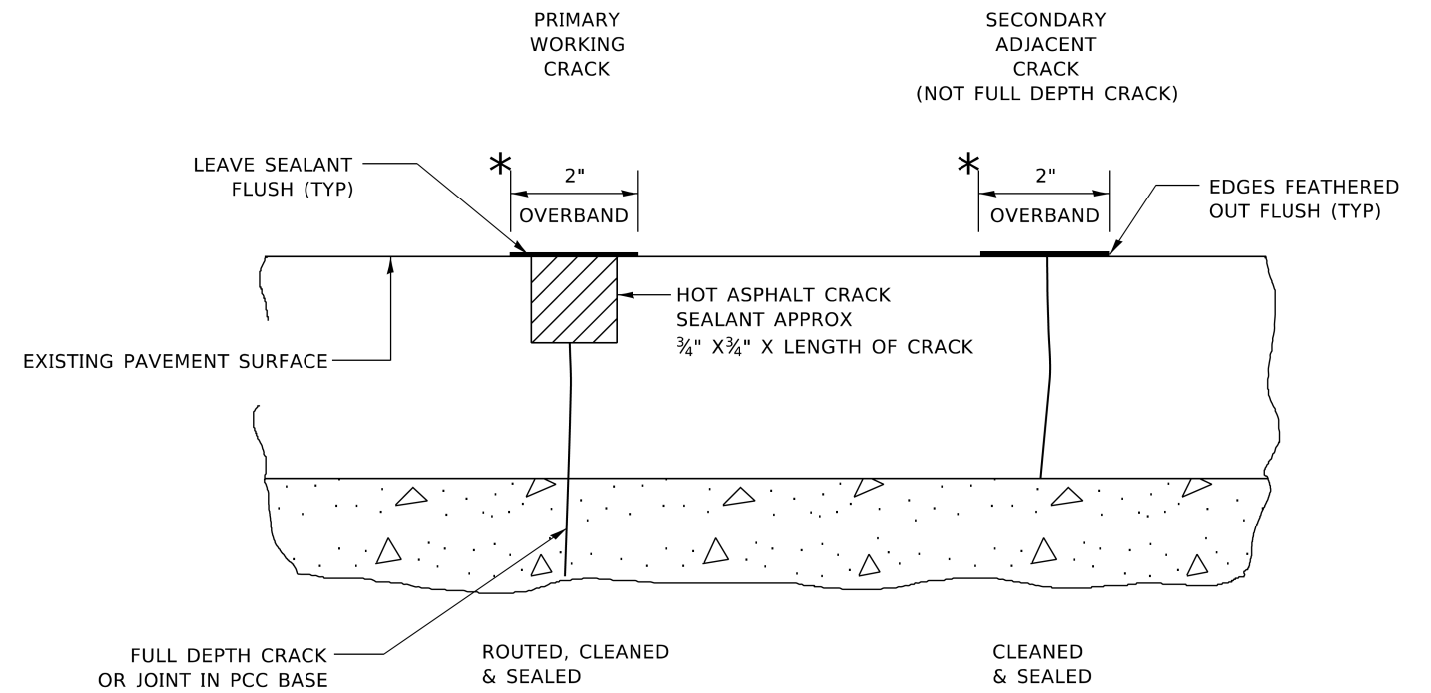
MULTI-LANE UNDIVIDED PAVEMENT



TWO-LANE PAVEMENT

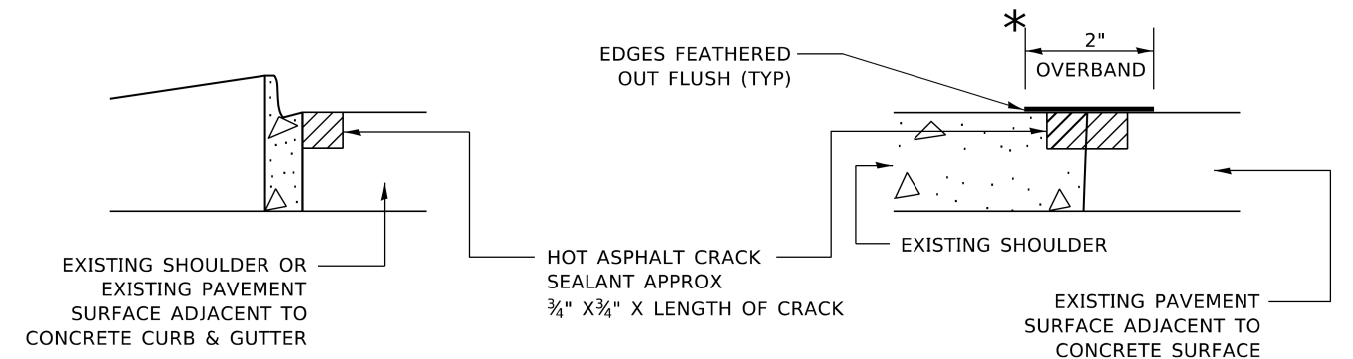
* PROPOSED LONGITUDINAL CRACK ROUTING (PAVEMENT) & CRACK FILLING LOCATIONS

**GENERAL EXISTING TYPICAL SECTIONS
(APPLIES TO HMA AND PCC PAVEMENTS)**



* IN ALL LOCATIONS WHERE THE LONGITUDINAL CRACK CONFLICTS WITH EXISTING PAVEMENT MARKINGS (EITHER EDGE LINE OR LANE LINE) THE CRACK SHALL BE ROUTED & THE RESULTING RESERVOIR FILLED WITH SEALANT. ALL DAMAGES TO EXISTING RAISED REFLECTIVE PAVEMENT MARKERS SHALL BE REPLACED AT THE EXPENSE OF THE CONTRACTOR. ALL EXISTING PAVEMENT MARKINGS WITHIN THE PROJECT LIMITS SHALL BE RESTORED WITH MODIFIED URETHANE PAVEMENT MARKINGS.

LONGITUDINAL JOINT



CRACK & JOINT SEALING DETAIL

MODEL: Default
FILE: M:\MTE_P\pub\barcom.dwg
PROJECT: \P\DOT\Documents\DOT_Offices\District 1\Projects\1545272\11\CAD\Drawn\CD\sheet3011.dwg

USER NAME = leysa	DESIGNED - F. Aqueel / A. Midy	REVISED -
PLOT SCALE = 100.0000' / in.	DRAWN -	REVISED -
PLOT DATE = 10/7/2020	CHECKED -	REVISED -
	DATE - 10/08/2020	REVISED -

**STATE OF ILLINOIS
DEPARTMENT OF TRANSPORTATION**

CRACK & JOINT SEALING DETAIL (PD-11)

SCALE: SHEET OF SHEETS STA. TO STA.

F.A.P. RTE. 0344	SECTION 2020-261-BR	COUNTY COOK	TOTAL SHEETS 85	SHEET NO. 76A
				CONTRACT NO. 62M41
ILLINOIS FED. AID PROJECT				

ADDED ENTIRE SHEET 5/24/2021