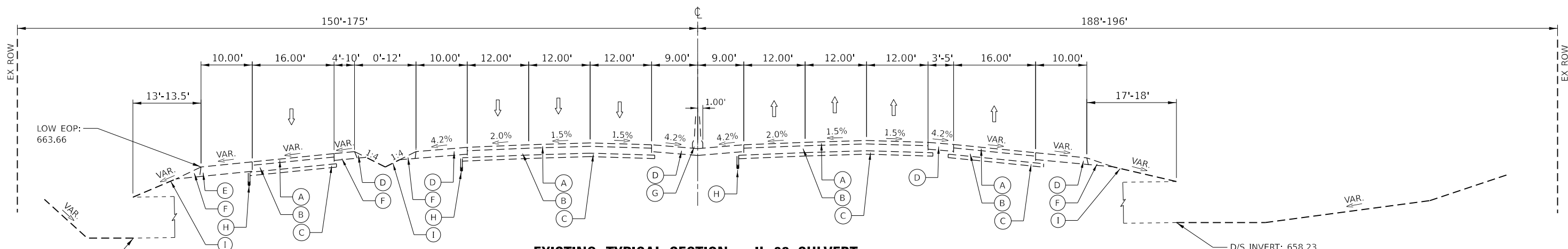


EXISTING TYPICAL SECTION - IL 83
STA 104+75 TO 105+17

EXISTING LEGEND

- (A) HMA SURFACE COURSE, 4"
- (B) PCC BASE COURSE, 8"
- (C) SUB-BASE GRANULAR MATERIAL, 4"
- (D) HMA SHOULDER, 8"
- (E) HMA SHOULDER, 11"
- (F) AGGREGATE SHOULDER
- (G) CONCRETE BARRIER
- (H) PIPE UNDERDRAINS, 4"
- (I) EXISTING LANDSCAPE AREA



EXISTING TYPICAL SECTION - IL 83 CULVERT
STA 105+17 TO 105+29

EXISTING LEGEND

- (A) HMA SURFACE COURSE, 4"
- (B) PCC BASE COURSE, 8"
- (C) SUB-BASE GRANULAR MATERIAL, 4"
- (D) HMA SHOULDER, 8"
- (E) HMA SHOULDER, 11"
- (F) AGGREGATE SHOULDER
- (G) CONCRETE BARRIER
- (H) PIPE UNDERDRAINS, 4"
- (I) EXISTING LANDSCAPE AREA

MODEL: D:\p1\11111111.dwg
 FILE NAME: P11111111.dwg
 I:\DOT\040058501\002 (ENG) - PTB 195-016 Phase II Var Var\Engineering\WO 1 - IL83-IL 38\500 Drawings\502 CADD Sheets\162M69-11111111.dwg



USER NAME = khejtmanek	DESIGNED - KH	REVISED -
DRAWN - KM	REVISED -	
PLOT SCALE = 20.0000 ' / in.	CHECKED - AP	REVISED -
PLOT DATE = 3/10/2021	DATE - 3/11/2021	REVISED -

**STATE OF ILLINOIS
DEPARTMENT OF TRANSPORTATION**

TYPICAL SECTIONS	
IL 83	
SCALE: NONE	SHEET 1 OF 3 SHEETS
STA.	TO STA.

F.A.P. RTE.	SECTION	COUNTY	TOTAL SHEETS	SHEET NO.
344	2020-196-T	DUPAGE	122	13
CONTRACT NO. 62M69			ILLINOIS FED. AID PROJECT	