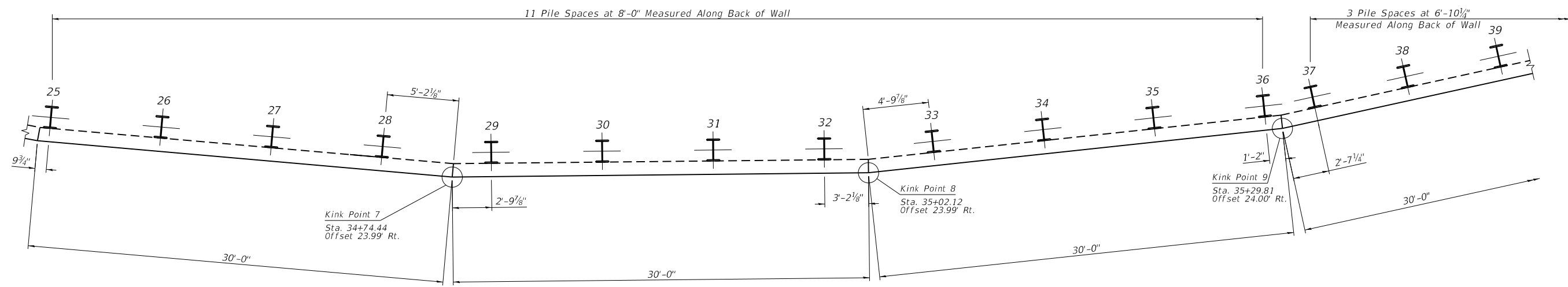


ELEVATION
(Looking at Front Face of Wall, Unfolded)



PLAN

TABLE 3: POINTS

POINTS	STATION	OFFSET
KINK POINT 7	34+74.44	23.99' RT.
KINK POINT 8	35+02.12	23.99' RT.
KINK POINT 9	35+29.81	24.00' RT.

PILE SUMMARY

PILE NUMBER	STATION	OFFSET	PILE SIZE	TOP OF PILE ELEV.	BOT. OF PILE ELEV.	PILE LENGTH
25	34+47.43	22.17' RT.	W18x119	662.25	632.25	30'-0"
26	34+54.85	21.84' RT.	W18x119	662.25	632.25	30'-0"
27	34+62.28	21.86' RT.	W18x119	662.25	632.25	30'-0"
28	34+69.71	22.02' RT.	W18x119	662.25	632.25	30'-0"
29	34+76.98	22.11' RT.	W18x119	662.25	632.25	30'-0"
30	34+84.32	21.90' RT.	W18x119	662.25	632.25	30'-0"
31	34+91.83	21.88' RT.	W18x119	662.25	632.25	30'-0"
32	34+99.26	22.09' RT.	W18x119	662.25	632.25	30'-0"
33	35+06.53	22.04' RT.	W18x119	662.25	632.25	30'-0"
34	35+13.96	21.86' RT.	W18x119	662.25	632.25	30'-0"
35	35+21.39	21.94' RT.	W18x119	662.25	632.25	30'-0"
36	35+28.81	22.19' RT.	W18x119	662.25	632.25	30'-0"
37	35+32.13	22.14' RT.	W18x119	662.25	632.25	30'-0"
38	35+38.49	21.94' RT.	W18x119	662.50	632.50	30'-0"
39	35+44.86	21.89' RT.	W18x119	662.50	632.50	30'-0"

MODEL: X:\2020\62M69\SETL-01
 FILE NAME: P1010025 - DD10100058501-002 (ENG) - PTB 195-016 Phase II Var Var Engineering\WO 1 - IL024L38500 Drawings\01 E2M69-RW Wall Layout 3.dgn
 311 S. Wacker Drive, Suite 1950
 Chicago, Illinois 60606
 312-474-6500
 www.bowmanconsulting.com



USER NAME = khejmanek	DESIGNED - AS	REVISED -
PLOT SCALE = 8:0 ft/in	DRAWN - AHT	REVISED -
PLOT DATE = 3/10/2021	CHECKED - AJN	REVISED -
	DATE - 3/11/2021	REVISED -

**STATE OF ILLINOIS
DEPARTMENT OF TRANSPORTATION**

**WALL LAYOUT 3
RETAINING WALL - STRUCTURE NO.022-W001**

F.A.P. RTE. 344	SECTION 2020-196-T	COUNTY DUPAGE	TOTAL SHEETS 122	SHEET NO. 70
CONTRACT NO. 62M69				
ILLINOIS FED. AID PROJECT				

RET-05

SCALE: SHEET RET-5 OF RET-11 SHEETS STA. TO STA.