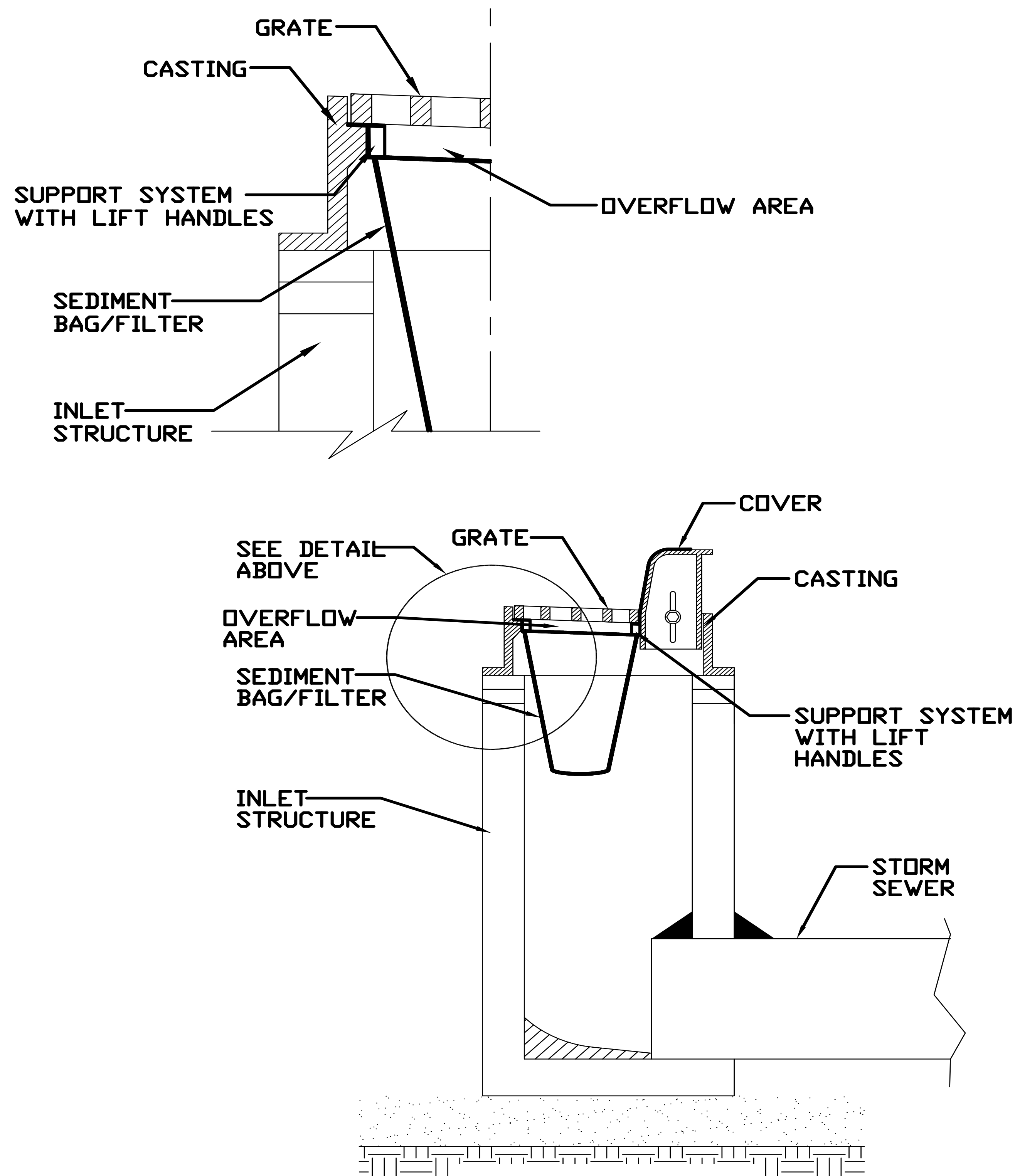
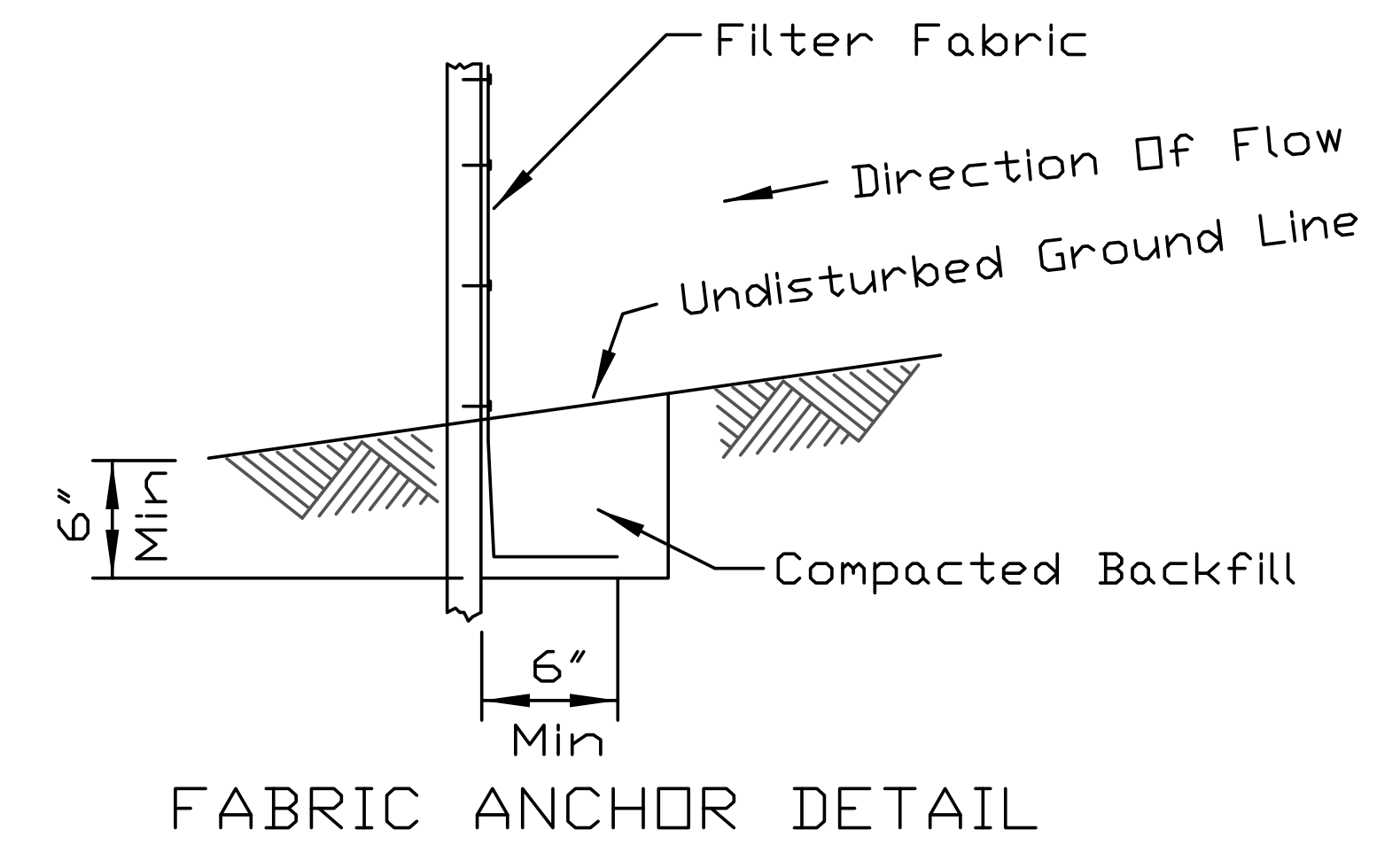
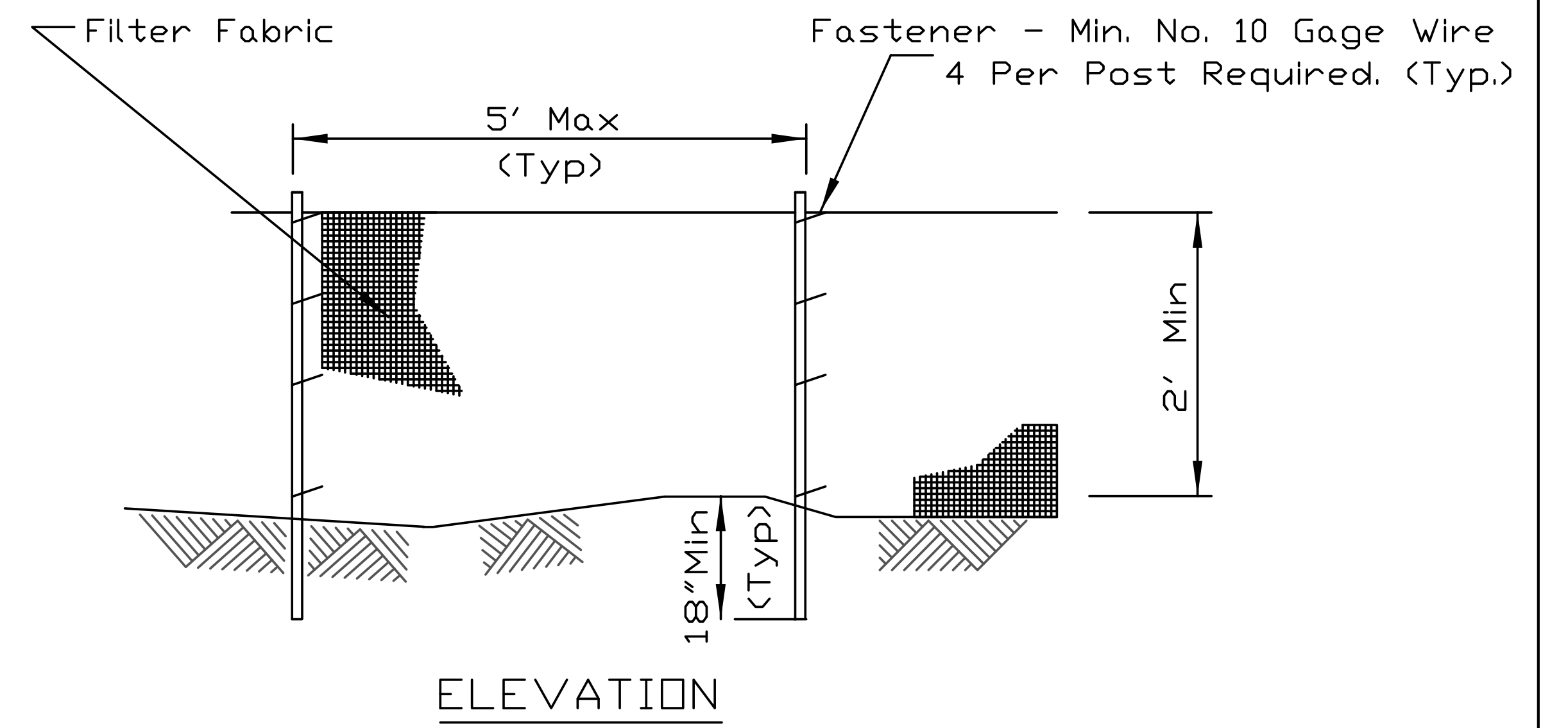


INLET PROTECTION - PAVED AREAS DROP-IN PROTECTION



SILT FENCE PLAN



NOTES:

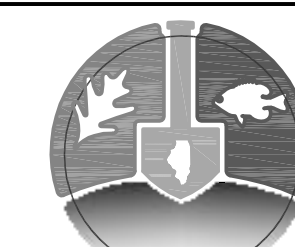
1. Temporary sediment fence shall be installed prior to any grading work in the area to be protected. They shall be maintained throughout the construction period and removed in conjunction with the final grading and site stabilization.
2. Filter fabric shall meet the requirements of material specification 592 Geotextile Table 1 or 2, Class I with equivalent opening size of at least 30 for nonwoven and 40 for woven.
3. Fence posts shall be either standard steel post or wood post with a minimum cross-sectional area of 3.0 sq. in.

REFERENCE Project	DESIGNED _____	DATE _____
Designed	Checked _____	DATE _____
Checked	Approved _____	DATE _____
Approved		



STANDARD DWG. NO.
IUM-561D
SHEET 1 OF 1
DATE 01-11-11

REFERENCE Project	DESIGNED _____	DATE _____
Designed	Checked _____	DATE _____
Checked	Approved _____	DATE _____
Approved		



STANDARD DWG. NO.
IUM-620A
SHEET 1 OF 2
DATE 3-16-12

USER NAME = footemj	DESIGNED -	REVISED - J.A.F. 04-03
	DRAWN -	REVISED - S.P.B. 01-07
PLOT SCALE = 50.0000' / in.	CHECKED -	REVISED - S.P.B. 12-09
PLOT DATE = 3/4/2019	DATE -	REVISED -

STATE OF ILLINOIS
DEPARTMENT OF TRANSPORTATION

SEDIMENT AND EROSION CONTROL
DETAILS

SCALE: NONE SHEET 2 OF 5 SHEETS STA. TO STA.

F.A.P. RTE.	SECTION	COUNTY	TOTAL SHEETS	SHEET NO.
344	2020-196-T	DUPAGE	122	119
CONTRACT NO. 62M69				
ILLINOIS FED. AID PROJECT				