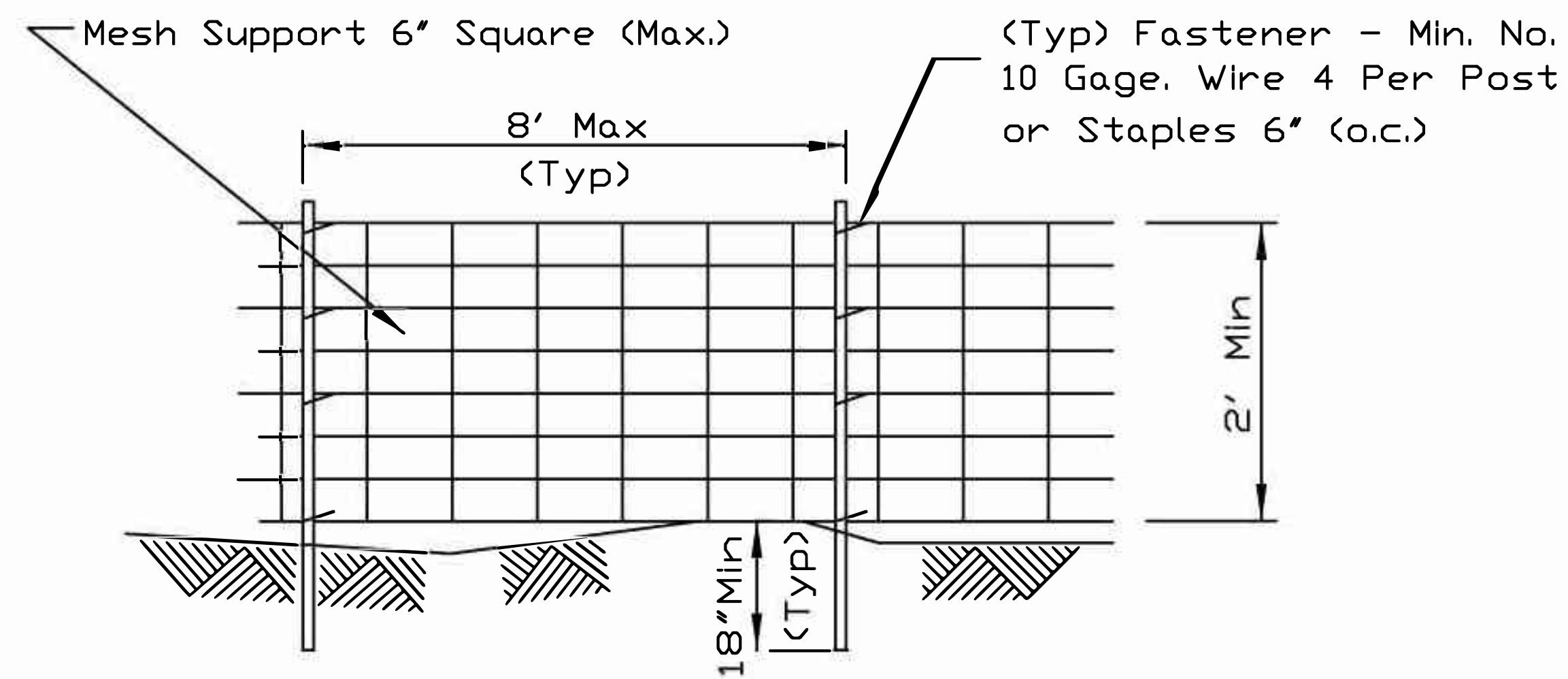
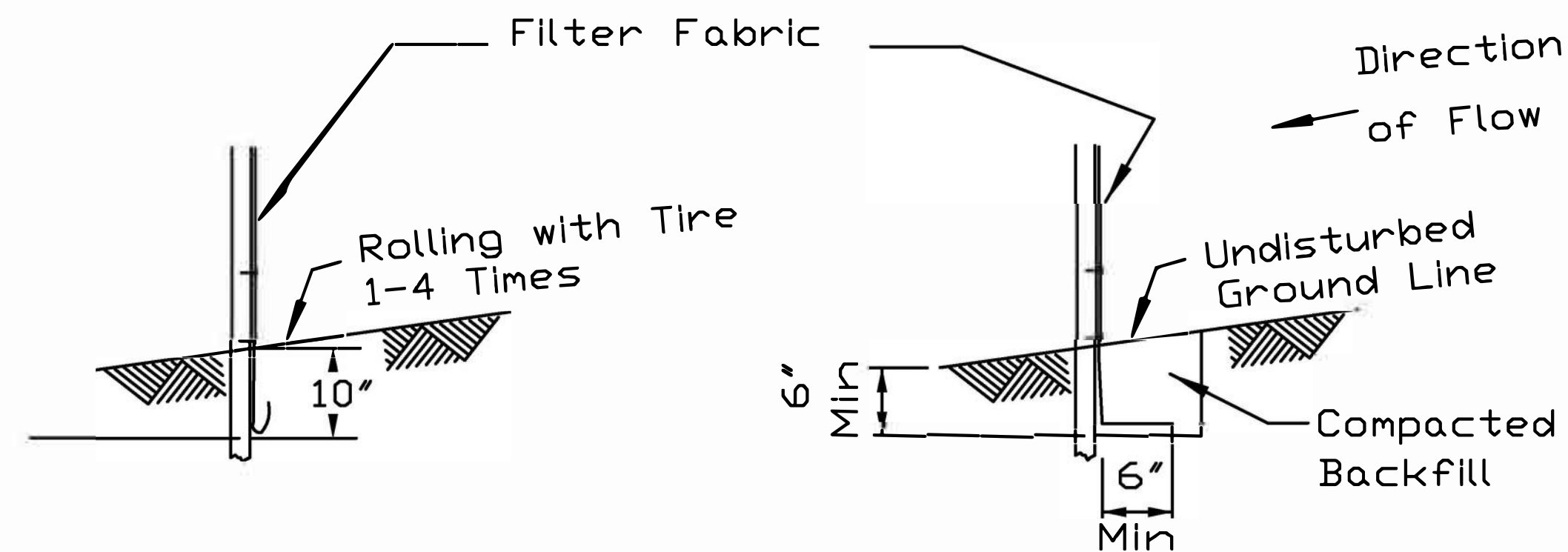


SILT FENCE WITH WIRE SUPPORT PLAN



ELEVATION



FABRIC ANCHOR DETAIL

STATIC SLICE INSTALLATION

TRENCH INSTALLATION

NOTES:

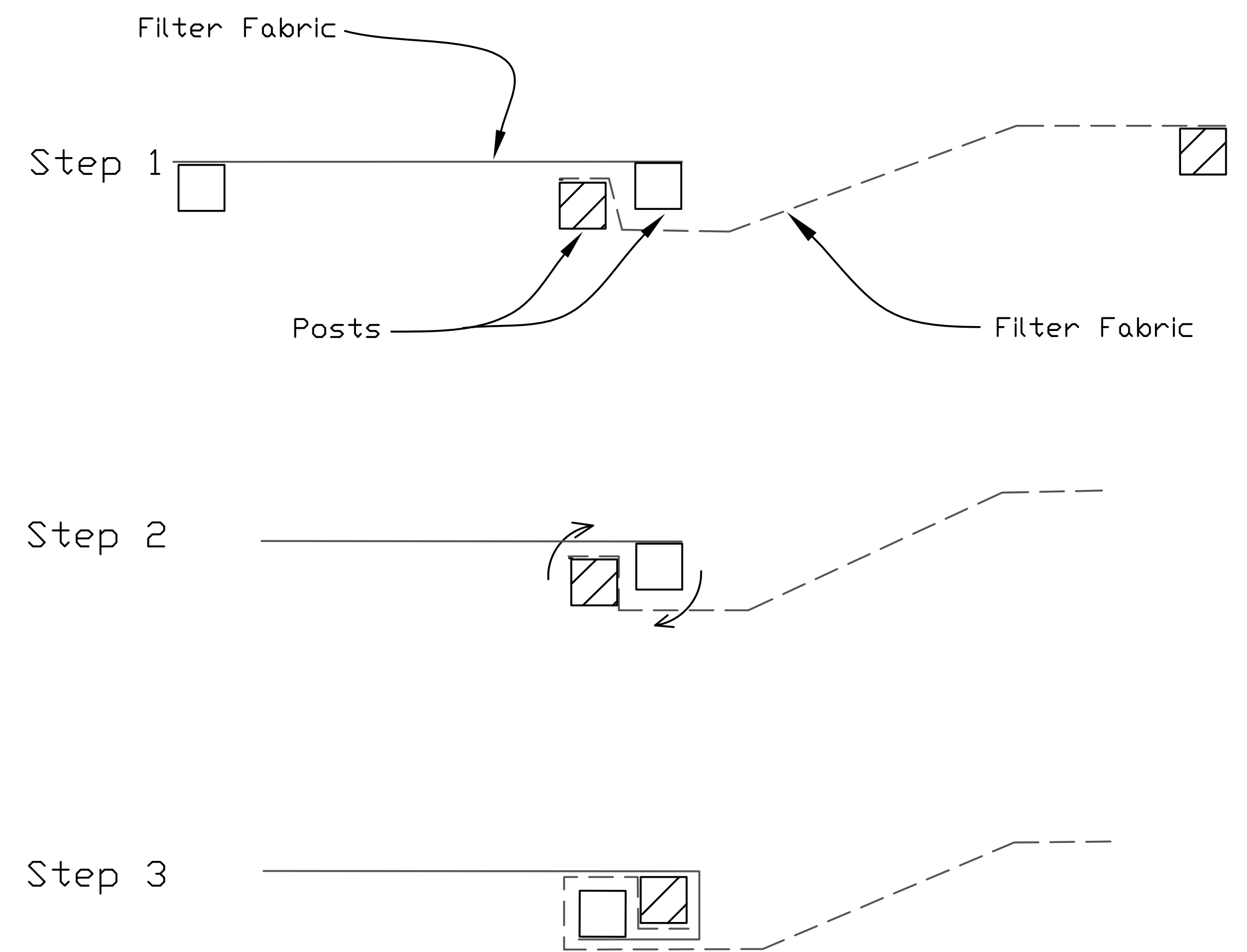
1. Silt Fence shall be installed prior to any grading work in the area to be protected. They shall be maintained throughout the construction period and removed in conjunction with the final grading and site stabilization. Silt fence shall be placed on the flattest area available.
2. Filter fabric shall meet the requirements of material specification 592 Geotextile Table 1 .class2 with equivalent opening size of at least 30 for nonwoven and 40 for woven.
3. Fence posts shall be either standard steel post or wood post with a minimum cross-sectional area of 3.0 sq. in.

REFERENCE Project _____	DESIGNED _____ Date _____
Checked _____	Date _____
Approved _____	Date _____



STANDARD DWG. NO. IUM-620A(W)
SHEET 1 OF 2
DATE 3-16-2012

SILT FENCE - SPLICING TWO FENCES



ATTACHING TWO SILT FENCES

1. Place the end post of the second fence inside the end post of the first fence.
2. Rotate both posts at least 180 degrees in a clockwise direction to create a tight seal with the fabric material.
3. Cut the fabric near the bottom of the stakes to accommodate the 6" flap.
4. Drive both posts a minimum of 18 inches into the ground and bury the flap.
5. Compact backfill (particularly at splices) completely to prevent stormwater piping.

REFERENCE Project _____	DESIGNED _____ Date _____
Checked _____	Date _____
Approved _____	Date _____



STANDARD DWG. NO. IUM-620B(W)
SHEET 1 OF 1
DATE 3-16-2012

USER NAME = footemj	DESIGNED - J.A.F. 04-03
PLOT SCALE = 50.0000' / in.	REVISOR - S.P.B. 01-07
PLOT DATE = 3/4/2019	REVISOR - S.P.B. 12-09
	REVISOR -

STATE OF ILLINOIS
DEPARTMENT OF TRANSPORTATION

SEDIMENT AND EROSION CONTROL
DETAILS

SCALE: NONE SHEET 3 OF 5 SHEETS STA. TO STA.

F.A.P. RTE.	SECTION	COUNTY	TOTAL SHEETS	SHEET NO.
344	2020-196-T	DUPAGE	122	120
CONTRACT NO. 62M69				
ILLINOIS FED. AID PROJECT				