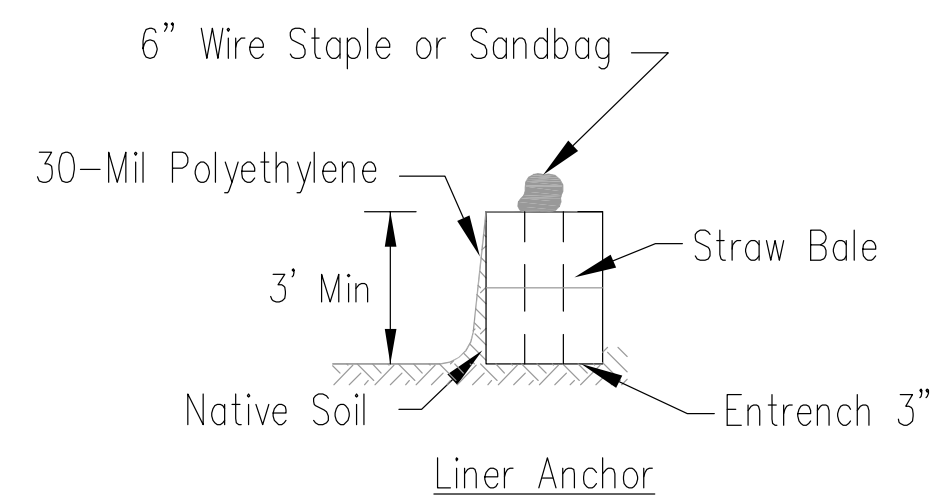
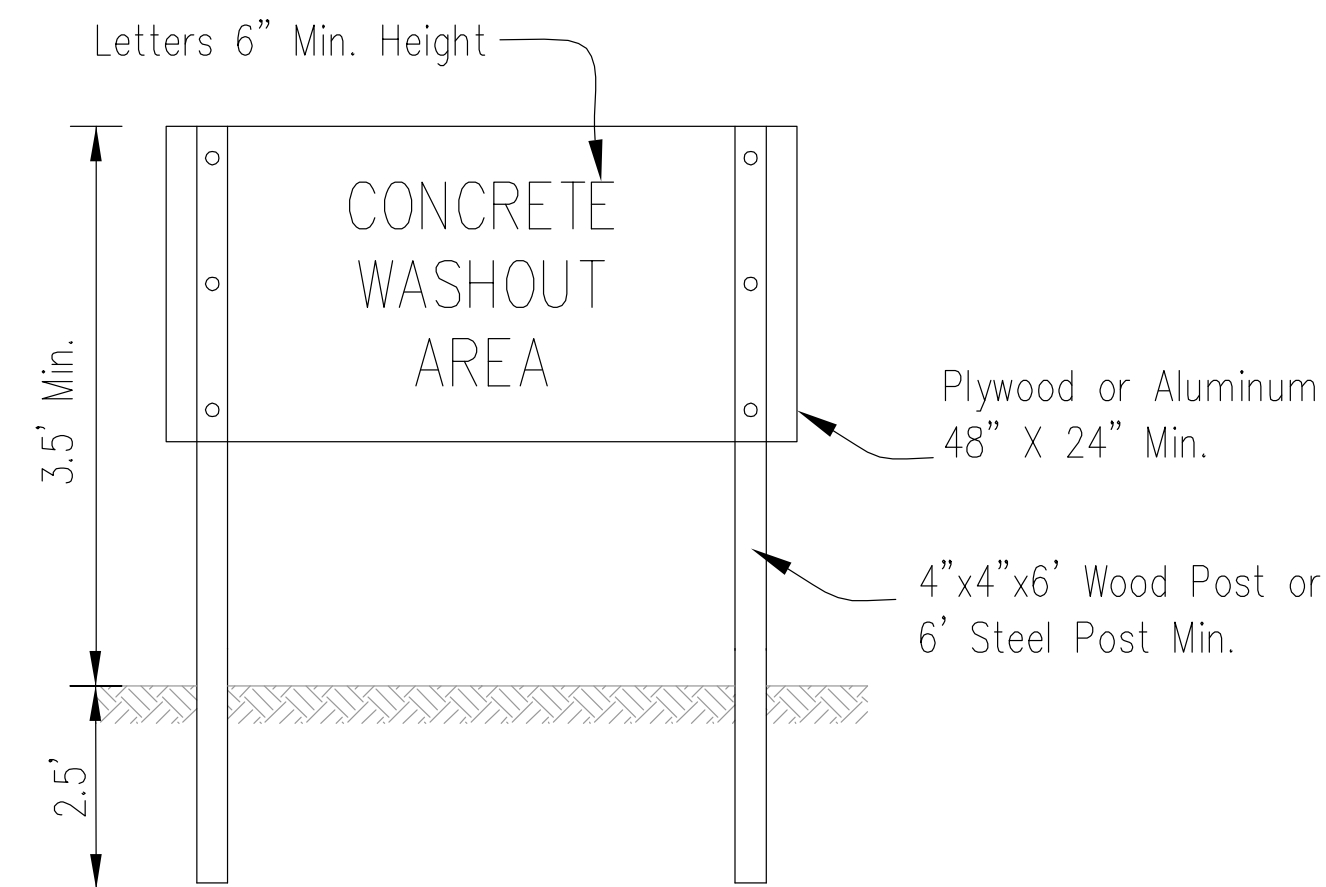


PLAN VIEW



STRAW BALE ANCHOR SECTIONS



SIGN DETAIL

NOTES:

1. Maintaining temporary concrete washout facilities shall include removing and disposing of hardened concrete and/or slurry and returning the facilities to a functional condition.
2. Facility shall be cleaned or reconstructed in a new area once washout becomes two-thirds full.
3. Each straw bale is to be staked in place using (2) 2"x2"x4' wooden stakes.

Sheet 1 of 3	Drawing No. LW-6545B	Date	Designed _____
			Drawn B. JOHNSON 6/08
		Checked _____	
		Approved _____	

TEMPORARY CONCRETE WASHOUT FACILITY - STRAW BALE

STATE OF ILLINOIS  
DEPARTMENT OF TRANSPORTATION

SEDIMENT AND EROSION CONTROL  
DETAILS

F.A.P. RTE.	SECTION	COUNTY	TOTAL SHEETS	SHEET NO.
344	2020-196-T	DUPAGE	122	122
CONTRACT NO. 62M69				

SCALE: NONE SHEET 5 OF 5 SHEETS STA. TO STA.

ILLINOIS FED. AID PROJECT