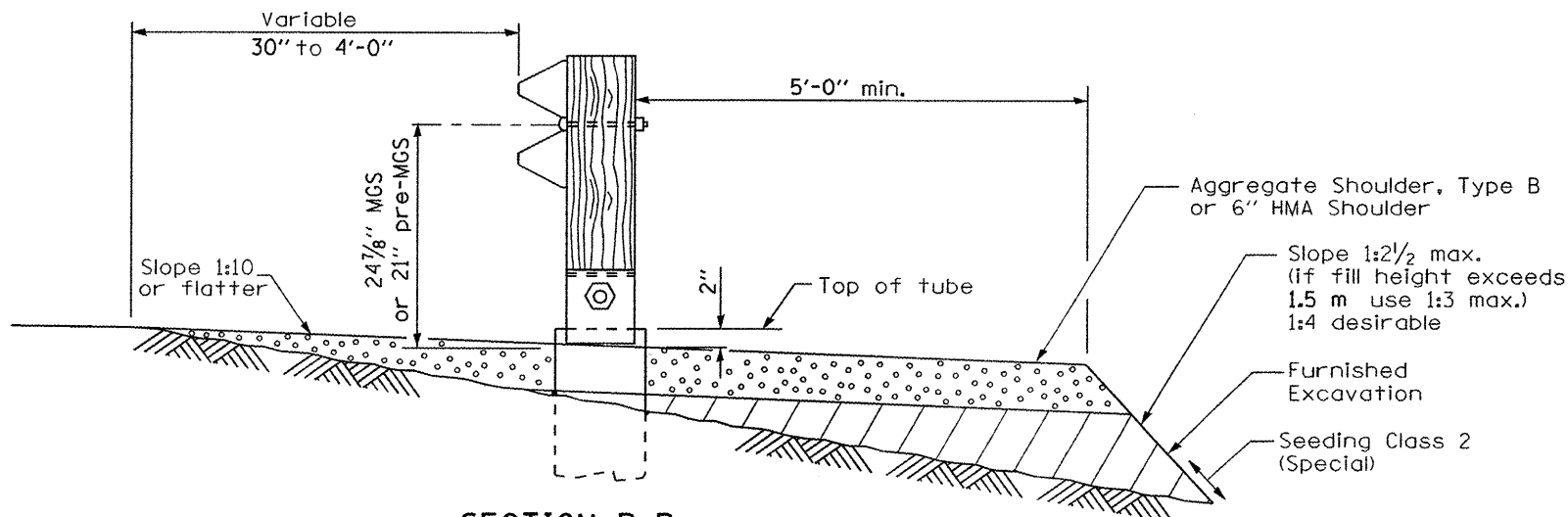


**SHOULDER WIDENING TRANSITION
FOR FLARED TERMINAL**



SECTION B-B
(Impact Head omitted for clarity.)

GENERAL NOTES

Work at each location shall be determined by the engineer and shown on the work order.

FILE NAME = c:\p\work\PIWIDOT\SWANKERG\d0127078\				USER NAME = schwankerg 346040-shd-details.dgn				DESIGNED - DRAWN - CHECKED - DATE -				REVISED - REVISED - REVISED - REVISED -				STATE OF ILLINOIS DEPARTMENT OF TRANSPORTATION				SHOULDER WIDENING FOR TYPE 1 (SPECIAL) GUARDRAIL TERMINALS				(Sheet 2 of 2)		RTE. SECTION COUNTY TOTAL SHEETS SHEET NO. VAR. * VARIOUS 9 5		FED. ROAD DIST. NO. ILLINOIS FED. AID PROJECT	
PLOT SCALE = 100.0000' / IN. PLOT DATE = Feb 19, 2009 - 10:22:27 AM																SCALE: SHEET NO. OF SHEETS STA. TO STA.		CONTRACT NO. 46040											

• D3 GUARDRAIL UPGRADE 2009