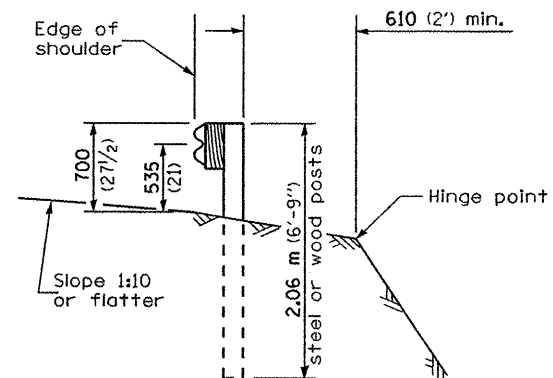
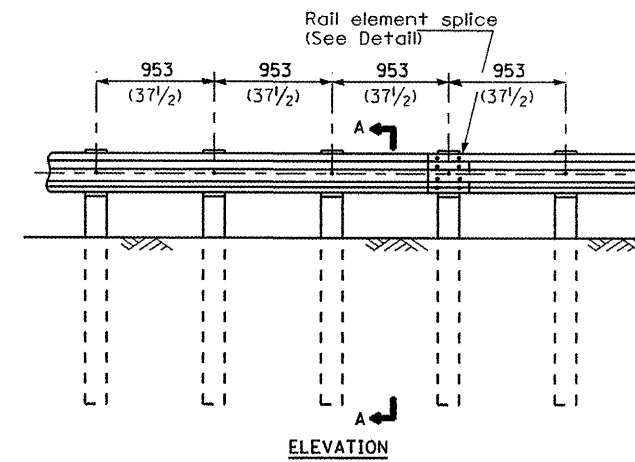


TYPE A

1.905 m (6'-3") Typical post spacing

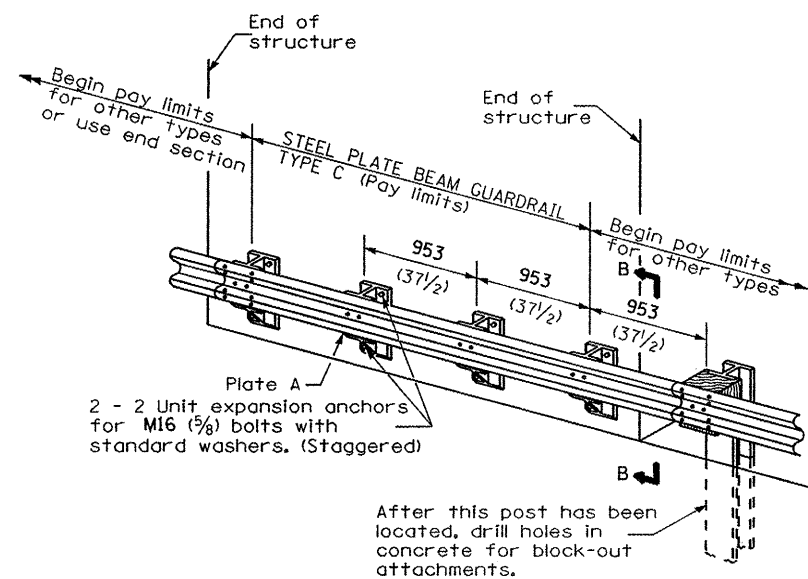


SECTION A-A



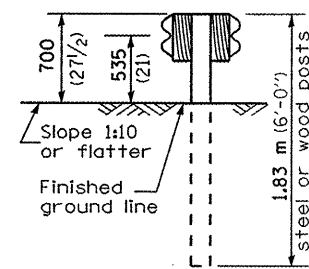
TYPE B

953 (37 1/2) Closed post spacing

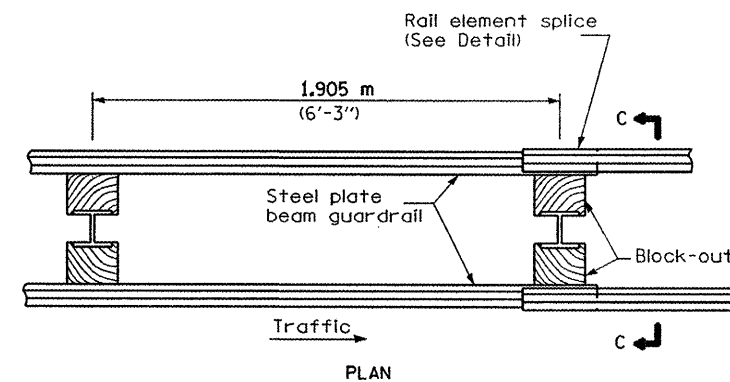


TYPE C

953 (37 1/2) Block-out spacing

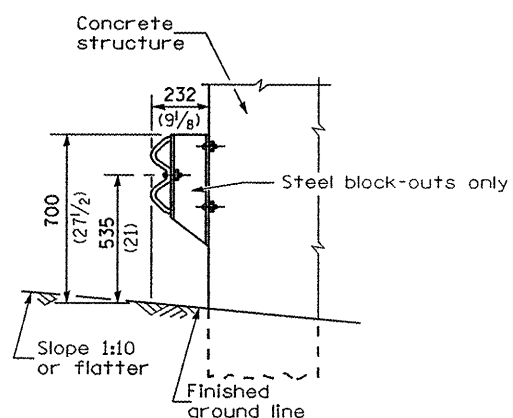


SECTION C-C



TYPE D

Double steel plate beam guardrail
1.905 m (6'-3") typical post spacing



SECTION B-B

GENERAL NOTES

All slope ratios are expressed as units of vertical displacement to units of horizontal displacement (V:H).

All dimensions are in millimeters (inches) unless otherwise shown.

FILE NAME =	USER NAME = schwerkerg	DESIGNED -	REVISED -
c:\pwork\p\WIDOT\SCHWANKERG\d0127078\346040-sht-details.dgn		DRAWN -	REVISED -
PLOT SCALE = 100.0000 / IN.		CHECKED -	REVISED -
PLOT DATE = Feb 19, 2009 - 10:22:48 AM		DATE -	REVISED -

**STATE OF ILLINOIS
DEPARTMENT OF TRANSPORTATION**

**PRE-MGS EFFECTIVE 4-1-06
STEEL PLATE BEAM GUARDRAIL
STANDARD 630001-06**

(Sheet 1 of 4)

SCALE:	SHEET NO. OF SHEETS	STA. TO STA.	RTE. SECTION	COUNTY	TOTAL SHEETS	SHEET NO.
					9	6
			CONTRACT NO. 46040			
			ILLINOIS FED. AID PROJECT			

• D3 GUARDRAIL UPGRADE 2009