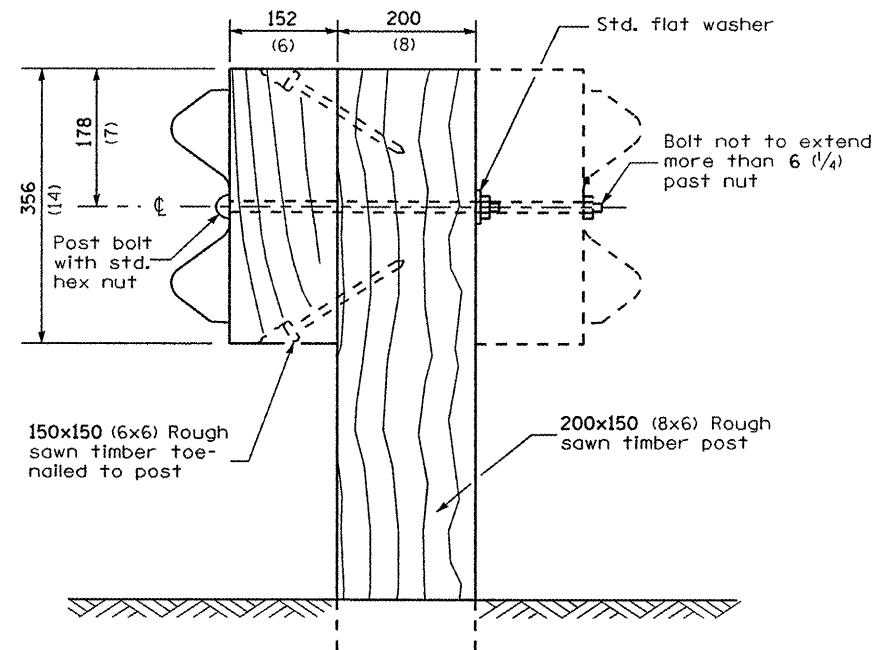
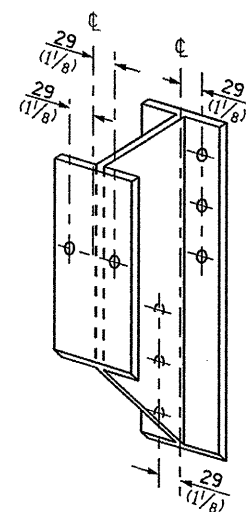


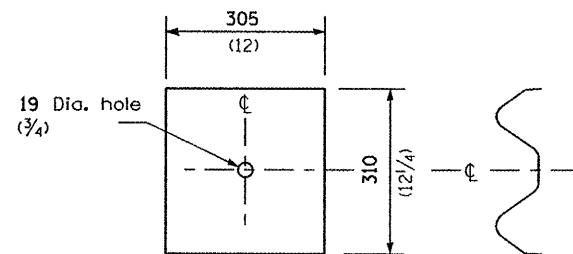
STEEL POST CONSTRUCTION



WOOD POST CONSTRUCTION



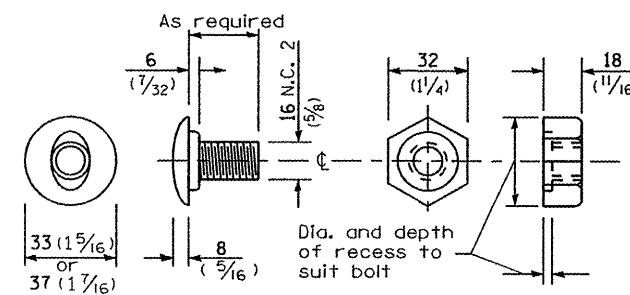
STEEL BLOCK-OUT DETAIL



NOTE

Plate A shall be placed between rail element and block-out at non-splice mounting points only when steel block-outs are used.

PLATE A



POST OR SPLICE BOLT & NUT

• 03 GUARDRAIL UPGRADE 2009

| | | | |
|--|-----------------------|------------|-----------|
| FILE NAME = | USER NAME = schwenker | DESIGNED - | REVISED - |
| c:\pwork\PIWIDOT\SCHWANKER\d0127078\346040-sht-details.dgn | | DRAWN - | REVISED - |
| PLOT SCALE = 100.0000 / IN. | | CHECKED - | REVISED - |
| PLOT DATE = Feb 19, 2009 - 10:23:02 AM | | DATE - | REVISED - |

STATE OF ILLINOIS
DEPARTMENT OF TRANSPORTATION

PRE-MGS EFFECTIVE 4-1-06
STEEL PLATE BEAM GUARDRAIL
STANDARD 630001-06

(Sheet 2 of 4)

| | | | | |
|--------------------|---------------------|--------------|---------------------|---------------------------|
| RTE. | SECTION | COUNTY | TOTAL SHEETS | SHEET NO. |
| VAR. | * | VARIOUS | 9 | 7 |
| CONTRACT NO. 46040 | | | | |
| SCALE: | SHEET NO. OF SHEETS | STA. TO STA. | FED. ROAD DIST. NO. | ILLINOIS FED. AID PROJECT |