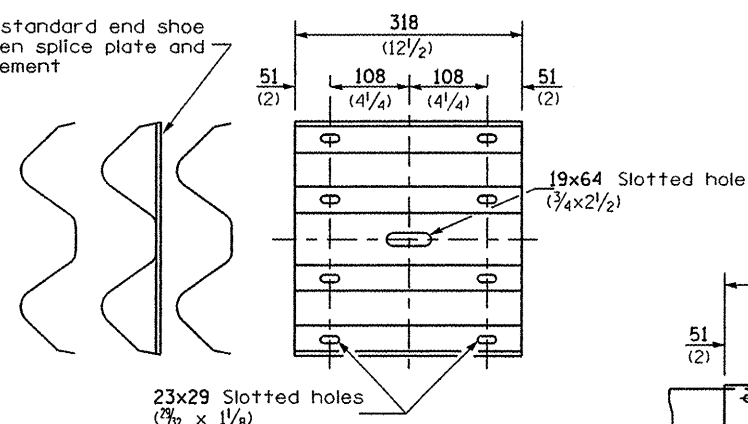
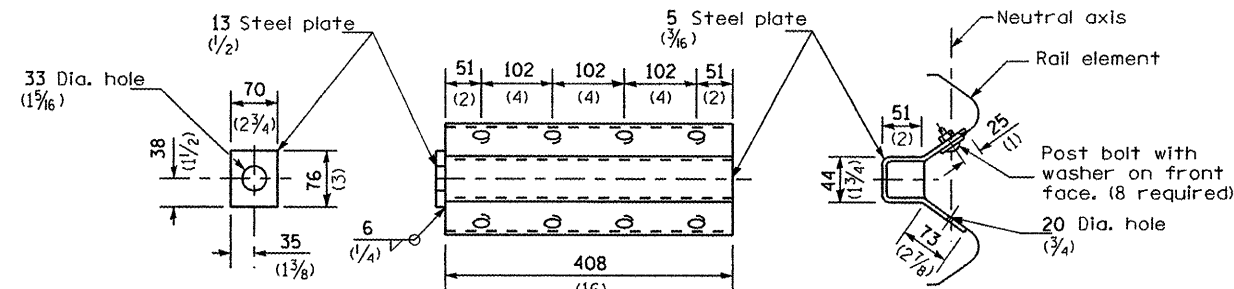


Place standard end shoe between splice plate and rail element

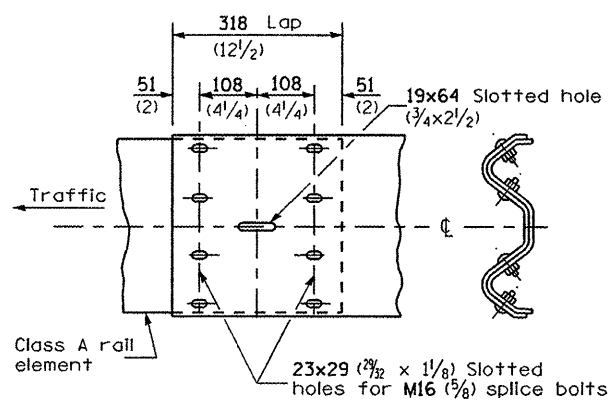


SPLICE PLATE

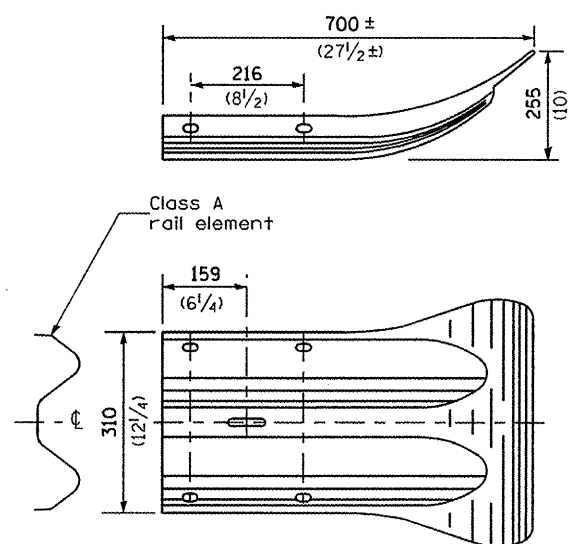


NOTE
Anchor plate T shall be used to attach cable assembly to guardrail when required on traffic barrier terminals.

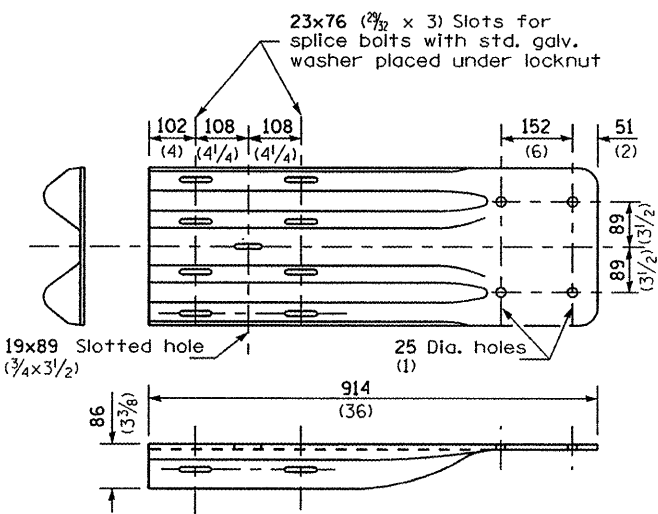
ANCHOR PLATE T DETAILS



RAIL ELEMENT SPLICE



END SECTION



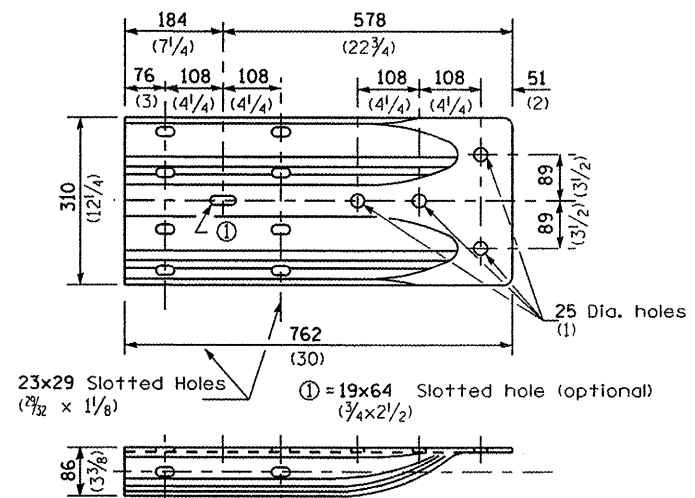
NOTE

When end shoe is attached to a bridge parapet which has an expansion joint, the bolts shall be provided with a locknut or double nut and shall be tightened only to a point that will allow guardrail movement.

The standard end shoe shall be attached to the concrete with pre-drilled or self-drilling anchor bolts. The anchor cone shall be set flush with the surface of the concrete.

Externally threaded studs protruding from the surface of the concrete will not be permitted.

END SHOE



ALTERNATE END SHOE

FILE NAME =	USER NAME = schwenker	DESIGNED -	REVISED -
cr:\pwork\PMIDOT\SCHWANKER\d0127078	346040-shr-details.dgn	DRAWN -	REVISED -
	PLOT SCALE = 100.0000 ' / IN.	CHECKED -	REVISED -
	PLOT DATE = Feb 19, 2009 - 10:23:25 AM	DATE -	REVISED -

**STATE OF ILLINOIS
DEPARTMENT OF TRANSPORTATION**

**PRE-MGS EFFECTIVE 4-1-06
STEEL PLATE BEAM GUARDRAIL
STANDARD 630001-06**

(Sheet 3 of 4)

RTE.	SECTION	COUNTY	TOTAL SHEETS	SHEET NO.
VAR.	*	VARIOUS	9	8
CONTRACT NO. 46040				
SCALE:		SHEET NO. OF SHEETS	STA.	TO STA.
FED. ROAD DIST. NO.		ILLINOIS FED. AID PROJECT		

• 03 GUARDRAIL UPGRADE 2009