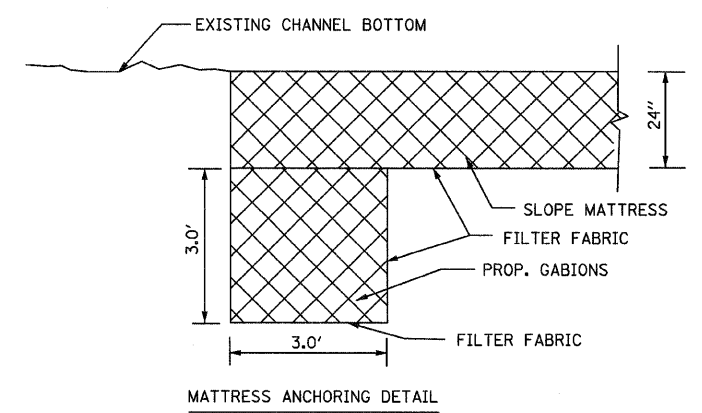


ACCESS TO THIS SITE IS LIMITED. THE CONTRACTOR SHALL ONLY ACCESS THIS SITE BY RAISING AND/OR LOWERING ALL EQUIPMENT AND MATERIAL OVER THE SIDES OF THE BRIDGE. THE CONTRACTOR WILL NOT BE ALLOWED OTHER ACCESS WITHOUT WRITTEN PERMISSION FROM THE ENGINEER. THIS WORK WILL NOT BE PAID FOR SEPARATELY, BUT SHALL BE CONSIDERED AS INCLUDED IN THE CONTRACT UNIT PRICES FOR THE CONSTRUCTION ITEMS INVOLVED AND NO ADDITIONAL COMPENSATION WILL BE ALLOWED.



**LEGEND**  
 STONE RIP RAP AS SHOWN

- BM 1: WEST END OF BRIDGE AT  $\phi$  OF JOINT  
STA. 31+37  
EL. = 639.71
- BM 2:  $\phi$  BRIDGE AT JOINT AT STA. 31+90  
EL. = 640.24
- BM 3:  $\phi$  BRIDGE AT JOINT AT STA. 32+45  
EL. = 640.24
- BM 4: EAST END OF BRIDGE AT  $\phi$  OF JOINT  
STA. 32+96  
EL. = 639.71

**NOTE:**  
 1. FOR CROSS SECTIONS SEE SHEET NO. 22.  
 2. FOR PLAT OF HIGHWAYS SEE SHEET NO. 16.