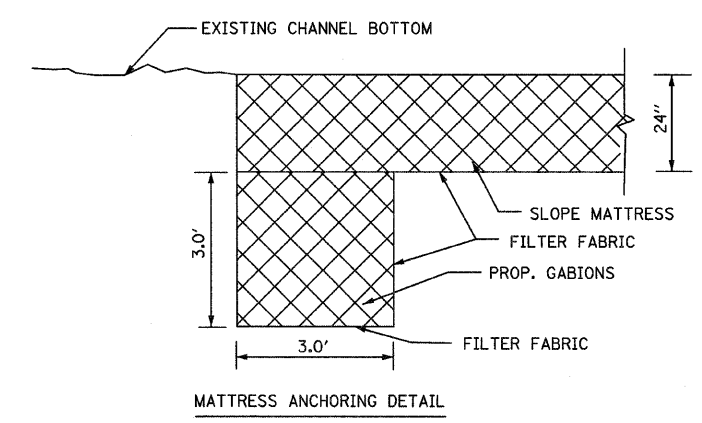
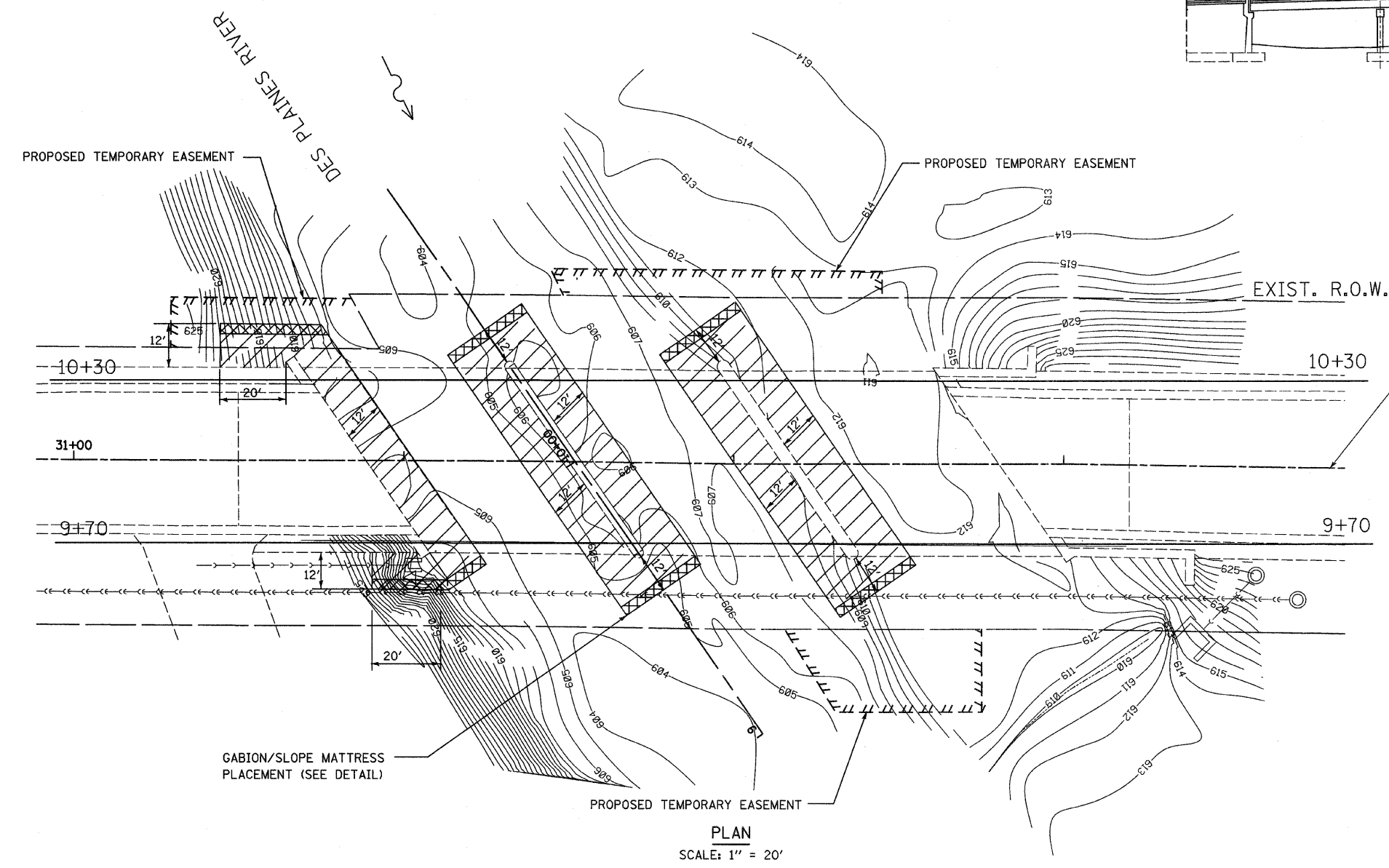
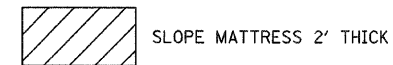


ELEVATION
NOT TO SCALE

ACCESS TO THIS SITE IS LIMITED. THE CONTRACTOR SHALL ONLY ACCESS THIS SITE BY RAISING AND/OR LOWERING ALL EQUIPMENT AND MATERIAL OVER THE SIDES OF THE BRIDGE. THE CONTRACTOR WILL NOT BE ALLOWED OTHER ACCESS WITHOUT WRITTEN PERMISSION FROM THE ENGINEER. THIS WORK WILL NOT BE PAID FOR SEPARATELY, BUT SHALL BE CONSIDERED AS INCLUDED IN THE CONTRACT UNIT PRICES FOR THE CONSTRUCTION ITEMS INVOLVED AND NO ADDITIONAL COMPENSATION WILL BE ALLOWED.



LEGEND



BM 1: AT THE WORD "OPEN" ON FIRE HYDRANT LOCATED AT THE N.W. CORNER OF CHICAGO AVE. AND FIRST STREET
EL. = 628.65

- NOTE:
1. FOR CROSS SECTIONS SEE SHEET NO. 23.
 2. FOR PLAT OF HIGHWAYS SEE SHEET NO. 17.

FILE NAME = D160---aht-eros.dgn PLOT DATE = 1/30/2009	CHRISTIAN-ROGE & ASSOCIATES, INC. ENGINEERS-PLANNERS-SURVEYORS 211 WEST WACKER DRIVE CHICAGO, ILLINOIS 60606 PHONE: (312)372-2023 FAX: (312)372-5274	DESIGNED - G.F.L.	REVISED -	STATE OF ILLINOIS DEPARTMENT OF TRANSPORTATION	EROSION AND SEDIMENT CONTROL PLAN CHICAGO AVENUE OVER DES PLAINES RIVER			F.A.P. RTE. VAR.	SECTION	COUNTY	TOTAL SHEETS	SHEET NO.
		DRAWN - B.K.	REVISED -		SCALE: 1" = 20'	SHEET NO. 2 OF 2 SHEETS	STA. 31+00 TO STA. 34+00	2006-005 I	COOK	31	12	
		CHECKED - E.J.M.	REVISED -				CONTRACT NO. 60B22					
		DATE - JANUARY 2009	REVISED -		FED. ROAD DIST. NO. 1 ILLINOIS FED. AID PROJECT							